


PAGE NUMBER ACCESS MATRIX FOR HOSE TAILS

THREAD \ SERIES	K/J	H	T	I
BSP HOSE TAILS				
BSP Female Straight	5	39	66	-
BSP Flat Face Female Straight	7	-	-	-
BSP Female JIS (Mitsubishi)	34	-	77	-
BSP Female 45°	5	39	66	-
BSP Female 90° Swept	6	40	67	-
BSP Female 90° Compact	6	-	-	-
BSP Taper Male	8	40	67	-
BSP Parallel Male	7	-	-	-
BSP Male 90° Tapered & Parallel	-	-	-	-
BSP Banjos Straight	9	-	-	-
NPT HOSE TAILS				
NPSM Female Straight	10	-	-	-
NPT Male Straight / Male Swivel	10	41	68	-
JIC HOSE TAILS				
JIC Female Straight	11	42	69	80
JIC Female 45° Elbow	12	42	70	80
JIC Female 90° Elbow	12	43	70	80
JIC Female 45° Compact	13	-	-	-
JIC Fem. 90° Compact	13	-	-	-
JIC Fem. 90° Elbow Long Drop	14	-	-	-
JIC Male	14	43	69	-
SAE / UNO HOSE TAILS				
SAE Female Straight	16	-	71	-
SAE Female 45° Elbow	-	-	-	-
SAE Female 90° Elbow	16	-	71	-
SAE Fem. 90° Compact Elbow	-	-	-	-
SAE / UNO Male Straight	15	-	-	-
UNO Male 90° Swivel / Positional	15	-	-	-
O-RING FACE SEAL (ORFS)				
ORFS Female Straight	17	44	72	-
ORFS Female 45° Elbow	18	44	73	-
ORFS Female 90° Elbow	18	44	73	-
ORFS Fem. 90° Elbow L. Drop	19	-	-	-
ORFS Male Straight	17	-	72	-
Metric Face Seal Straight (Chinese)	25	-	-	-
METRIC HOSE TAILS				
DKL (Light) Female Straight + Multiseal	20	-	74	-
DKL (Light) Female 45° Elbow	21	-	-	-
DKL (Light) Female 90° Elbow	21	-	74	-
DKL (Light) Male Straight	20	-	74	-
DKS (Heavy) Female Straight	22	45	75	-
DKS (Heavy) Female 45° Elbow	23	46	-	-
DKS (Heavy) Female 90° Elbow	23	46	-	-
DKS (Heavy) Male Straight	22	45	75	-
Metric Standpipe Straight	24	-	-	-
Metric Standpipe 45° Elbow	24	-	-	-
Metric Standpipe 90° Elbow	24	-	-	-
Metric Banjo Straight	25	-	76	-
Metric Face Seal Straight (Chinese)	25	-	-	-
JIS Female Straight (Komatsu)	34	-	77	-

THREAD \ SERIES	K/J	H	T	I
SAE FLANGE HOSE TAILS		Flange O-Rings and Clamps Dimensions Pages 26 / 27		
Code 61 3000 psi				
Straight	28	47	-	-
22° Elbow	28	-	-	-
30° Elbow	28	-	-	-
45° Elbow	29	47	-	-
60° Elbow	29	-	-	81
67° Elbow	29	-	-	-
90° Elbow	30	47	-	81
110° & 135° Elbows	31	-	-	-
Code 62 6000 psi				
Straight and 20° Elbow	33	48	-	82
45° Elbow	33	49	-	84
60° Elbow	-	50	-	85
90° Elbow	33	51	-	86
90° Long Drop Elbow	-	51	-	-
"SUPERCAT" 6000 psi				
Straight & 22°	-	48	-	82 / 83
30° & 45° Elbows	-	48-49	-	84 / 85
60° & 67° Elbows	-	50-51	-	85 / 86
90° Elbow	-	52	-	87
KOMATSU HOSE TAILS				
JIS Female Straight (Komatsu)	36	-	77	-
Low Pressure Flanges (2 Bolt)				
Straight	35	-	-	-
45° Elbow	35	-	-	-
90° Elbow	35	-	-	-
Standard Pressure Flanges				
Straight	36	53	-	-
45° Elbow	36	53	-	-
90° Elbow	36	53	-	-
SPECIALTY HOSE TAILS				
JAPANESE				
JIS Metric Fem. Str. (Komatsu)	34	-	77	-
JIS BSP Fem. Str. (Mitsubishi)	34	-	77	-
STANDPIPES				
Metric Straight	26	-	-	-
Metric 45° Elbow	26	-	-	-
Metric 90° Elbow	26	-	-	-
PRESSURE WASHERS				
Kärcher Tails and Accessories	37	-	-	-
EMERGENCY				
Weld-on Lifesavers	38	-	78	-
Hose Joiner (Double ended Tail)	38	-	78	-
BANJOS				
BSP Straight	9	-	-	-
Metric Straight	25	-	76	-
FERRULES		Non Skive Field Attachable 108		
STAPLELOK & SKV / SSKV		Staplelok and Mining 54 - 65		

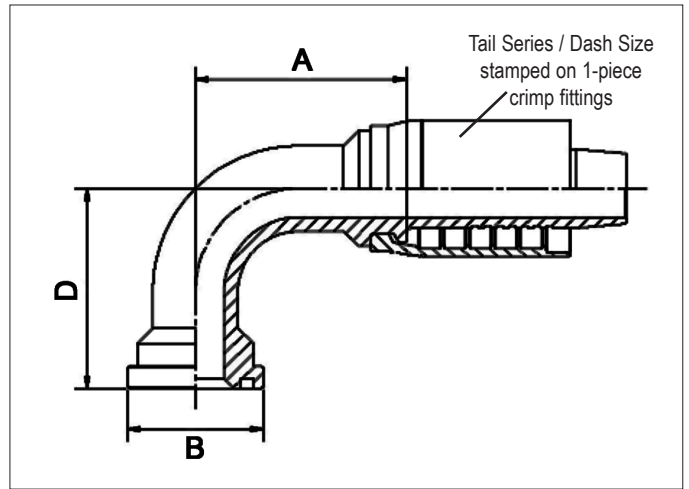
 **WARNING:** This product may contain chemicals known to the State of California to cause cancer, birth defects, or other reproductive harm. For more information please visit: www.p65warnings.ca.gov



This page is part of a complete catalog containing technical and safety data. All data must be reviewed when selecting a product. PIRTEK reserves the right to change technical specifications without notice.

HOW TO SPECIFY PIRTEK HOSE TAILS

Hose Tail Part Number C629L-2016J



Configuration	Angle	Type	Fitting Size	Hose Size	Series
C62	9	L	20	16	J
End configuration and angle are listed on the next page	1 = straight 2 = 22° bend 3 = 30° bend 4 = 45° bend 6 = 60° bend 7 = 67° bend 9 = 90° bend	L = long drop C = compact or C = Caterpillar	Defined by type of end connection i.e. thread, flange, tube, banjo etc. See the identification table	- 03 = 3/16" ID - 04 = 1/4" ID - 05 = 5/16" ID - 06 = 3/8" ID - 08 = 1/2" ID - 10 = 5/8" ID - 12 = 3/4" ID - 16 = 1" ID etc.	J Series K Series H Series T Series
C62 refers to an SAE Code 62 flange fitting	9=90°bend	L = long drop	Flange OD (Dim. B) = 53.98 mm for size 20 Code 62 flange	Hose ID is 1" for dash 16 hose	

Possible combinations of these 3 items are as listed on the next page. Note that for some situations, the position of the 'L' can vary from the example given above.

Hose ID for 100R5 and its variants differ from 1/16" convention. Refer to the specific hose table for details.

K, J, H and T Series Fittings are stamped on the Ferrule of the Hose Tail as illustrated above

Tail Series	Application
K / J	Braided & multi-spiral hoses for general use.
H	More demanding multi-spiral applications
T	STH, MPH and thermoplastic hoses
932/934/954	Large bore hoses

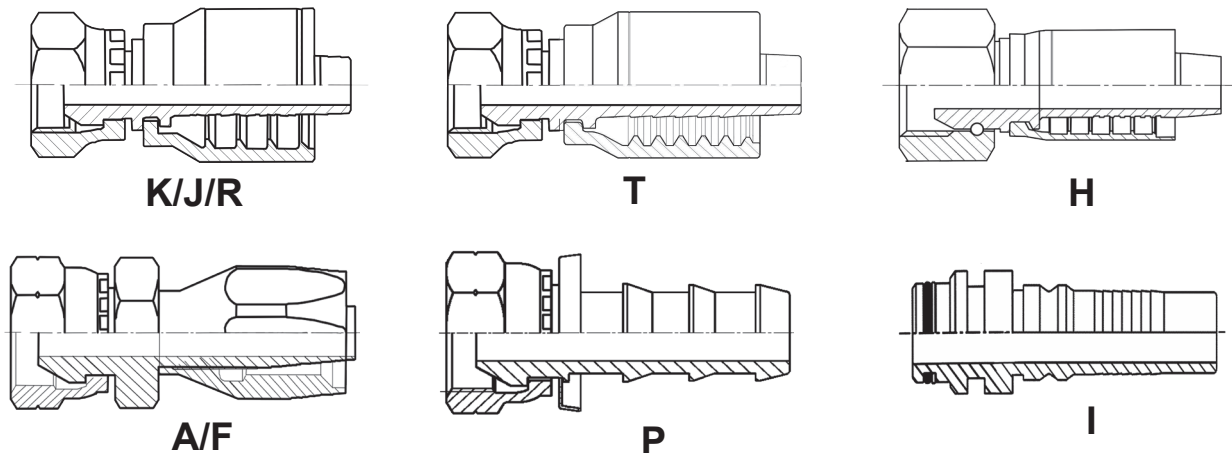
Tail Series	Application
A	SAE 100R5 dimensioned hoses A = field attachable
P	Push-on fitting for low pressure textile braided hoses
I	Interlock attachment for extreme multi-spiral applications
L	Low pressure tail for suction and return hoses (clamp required)

QUICK GUIDE TO PIRTEK PRODUCT CODES

All codes require size information and the appropriate hose tail Series (Suffix) to allow a complete Product Code to be assembled. See page C 1 for a guide to ordering

Type of Fitting	Straight			Elbow Fitting						
	Unthreaded	Male	Female	22°	30°	45°	60°	67°	90°	90° Long
Banjo BSP	BB1									
Banjo Metric	BM1									
BSP Flat Face			BFF1							
BSP		BPM1	BF1			BF4			BF9	BFL9 †
BSP Compact									BFC9	
BSPT		BTM1								
JIC		JM1	JF1			JF4			JF9	JFL9
JIC Compact						JFC4			JFC9	
JIS / BSP (Mitsubishi)			JBF1							
JIS / Metric (Komatsu)			JMF1							
Kärcher	KT1									
Kobelco		KOBM1								
Metric GAZ (French)										
Metric heavy (DKS / DKO)		DSM1	DSF1			DSF4			DSF9	
Metric Multi Seal (DKL)			DMSF1							
Metric light (DKL)		DLM1	DLF1			DLF4			DLF9	
Metric Face Seal (Chinese)			MOF1							
NPT		NM1	NF1							
ORFS		OM1	OF1			OF4			OF9	OFL9
SAE		SM1	SF1			SF4			SF9	
SAE Compact									SFC9	
SAE Inverted Flare swivel										
SAE Flange Code 61 3000 psi	C611			C612	C613	C614	C616	C617	C619	C619L
SAE Flange Code 62 6000 psi	C621			C622	C623	C624	C626	C627	C629	C629L
'Supercat' Flange 9000 psi	C621C			C622C	C623C	C624C	C626C	C627C	C629C	
JIS Flange (Komatsu)				As for SAE Flange Code 61 except with 'K' prefix. Example: KC611						
Joiner (2-ended hose tail)	HJ									
Standpipe Imperial	SPI1					SPI4			SPI9	
Standpipe Metric	SPM1					SPM4			SPM9	
SKV										
SSKV										
Staple Lock	SLM1					SLM4			SLM9	
Staple Lock Super	SSLM1									
UNO (SAE O-Ring Boss)		OBM1								
UNO Swivel		OBSM1/9								
Weld on Tail (Lifesaver)	WO1									

HOSE TAIL SERIES PHYSICAL APPEARANCE



Note that the Industrial tails (INDUST above) are not documented in this Catalog. Please consult Mining or Industrial Fittings Sections for details. "R" series fittings are not Department of Transportation (D.O.T) approved.

QUICK GUIDE TO HOSE TAIL SERIES

The hose tail Series documented here represent the Suffix of the Product Code (Page C 1) Please consult current published Crimp Charts for the most recent Technical Data

Hose Product Code	Hose Dimension													
	Dia size	-03	-04	-05	-06	-08	-10	-12	-16	-20	-24	-32	-40	-48
	DN	3/16"	1/4"	5/16"	3/8"	1/2"	5/8"	3/4"	1"	1.1/4"	1.1/2"	2"	2.1/2"	3"
C21												J		
C25									J					
C35				K	K/J	K/J	K	J	J	H/I	H/I	H/I		
C42					K/J	K/J	J	J	J	H/I	H/I			
PC25							K	J		J	J			
PC35					K/J	K/J	K/J	J	J	H	H/I			
PC42			K								H/I			
R1AT			K		K	K		J	J	J	J	J		
R2AT / 2SC			K		K	K	K	J	J	J	J	J		
R2ATHT			K		K	K	K	J	J	J	J	J		
100R5			A	A	A	A	A	A	A	A	A	A		
100R5HT			A	A	A	A	A	A	A	A	A	A		
PW3600			K											
PW4500					K									
R17			K		K	K	K							
100R4								J	J	J	J	J		
R4HT								J	J	J	J	J		
100CS3					K	K	K	J	J	J	J	J		
100CS5										H/I	H/I	H/I		
MPH			P	T	T	T	T	P	P					
JK70			K		K									
JBF40													BSMS	
TPR7		T	T	T	T	T								
TPR7X2		T	T	T	T	T								
TPR7NC		T	T	T	T	T								
TP1W					T	T								
TP1WX2					T	T								
TPR8			T		T	T								
TPR8NC			T		T	T								
STH		T	T	T	T	T	T	T	T					

NOTE: A hose Insertion Depth Tool is available Product Code **PDT-1** and is an Ex-Stock Item

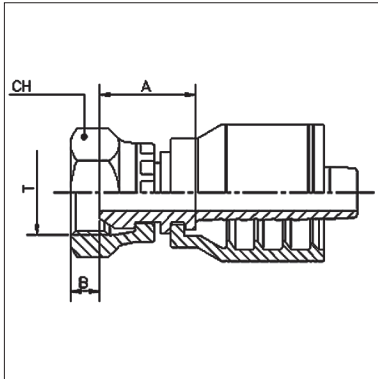
* Denotes that the 1/16" Dash Size convention is not applicable for these Products

BSP
ORIGIN: GREAT BRITAIN



K, J SERIES

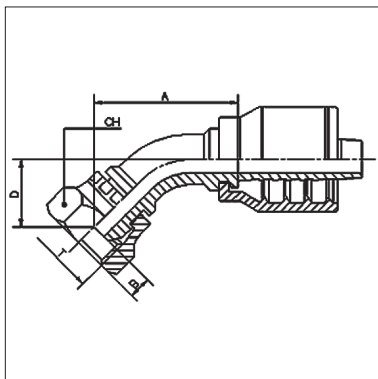
BF1 BSPF FEMALE STRAIGHT



Product Code	BSPF Thread		Nominal ID			Dimensions mm		
	T	Size	DN	Inch	Dash	A	B	CH
BF1-0204K	1/8" - 28	02	6	1/4"	04	21.5	5.5	14
BF1-0404K † *	1/4" - 19	04	6	1/4"	04	17.5	4.2	19
BF1-0604K	3/8" - 19	06	6	1/4"	04	18.5	6	22
BF1-0605K	3/8" - 19	06	8	5/16"	05	18.5	6	22
BF1-0805K	1/2" - 14	08	8	5/16"	05	20.5	7	27
BF1-0406K	1/4" - 19	04	10	3/8"	06	17.8	4.2	19
BF1-0606K † *	3/8" - 19	06	10	3/8"	06	18.5	6	22
BF1-0806K	1/2" - 14	08	10	3/8"	06	20.5	6.5	27
BF1-0608K	3/8" - 19	06	12	1/2"	08	19	6	22
BF1-0808K † *	1/2" - 14	08	12	1/2"	08	21	6.5	27
BF1-1008K	5/8" - 14	10	12	1/2"	08	18.5	9.5	27
BF1-1208K	3/4" - 14	12	12	1/2"	08	23.3	8.7	32
BF1-1010K	5/8" - 14	10	16	5/8"	10	18	9.5	27
BF1-1210K	3/4" - 14	12	16	5/8"	10	21.3	8.7	32
BF1-1212J †	3/4" - 14	12	20	3/4"	12	23.3	8.7	32
BF1HD-1212J ‡	3/4" - 14	12	20	3/4"	12	23.3	8.7	32
BF1-1612J *	1" - 11	16	20	3/4"	12	29.5	10.5	38
BF1-1616J † *	1" - 11	16	25	1"	16	29.6	10.5	38
BF1HD-1616J ‡*	1" - 11	16	25	1"	16	29.6	10.5	38
BF1-2016J *	1.1/4" - 11	20	25	1"	16	39	10	50
BF1-2020J *	1.1/4" - 11	20	32	1.1/4"	20	37.8	10	50
BF1HD-2020J * ‡	1.1/4" - 11	20	32	1.1/4"	20	37.8	10	50
BF1-2424J *	1.1/2" - 11	24	38	1.1/2"	24	35.8	12	55
BF1-3232J *	2" - 11	32	50	2"	32	37.6	16	70

* Free Nut version. † Also in Stainless Steel, Product Code Example BF1SS-0808K ^a Thrust wired nut version ‡ Heavy duty hammer coupling. O-Ring incorporated in seal, and thicker tail. Uses high strength carbon steel. O-Ring replacement Product Codes **BO-12, BO-16, BO-20**

BF4 BSPF FEMALE 45° ELBOW



Product Code	BSPF Thread		Nominal ID			Dimensions mm			
	T	Size	DN	Inch	Dash	A	B	CH	D
BF4-0404K *	1/4" - 19	04	6	1/4"	04	31.5	4.2	19	13
BF4-0606K *	3/8" - 19	06	10	3/8"	06	39	6	22	15
BF4-0808K *	1/2" - 14	08	12	1/2"	08	46	6.5	27	18
BF4-1010K	5/8" - 14	10	16	5/8"	10	61.5	9.5	27	22.8
BF4-1212J	3/4" - 14	12	20	3/4"	12	69.6	8.7	32	28.3
BF4-1616J ^a	1" - 11	16	25	1"	16	85	10.5	38	32
BF4-2020J ^a	1.1/4" - 11	20	32	1.1/4"	20	106.4	10	50	37.7
BF4-2424J ^a	1.1/2" - 11	24	38	1.1/2"	24	132.4	12	55	51.5
BF4-3232J ^a	2" - 11	32	50	2"	32	147.5	16	70	60

BSP FITTINGS

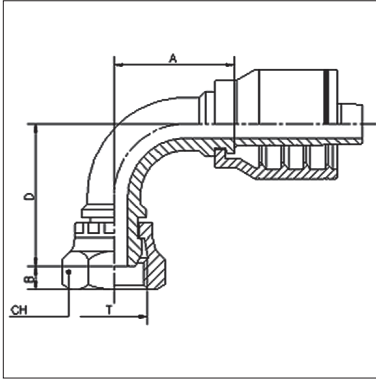
BSP

ORIGIN: GREAT BRITAIN



BF9

BSPF FEMALE 90° ELBOW

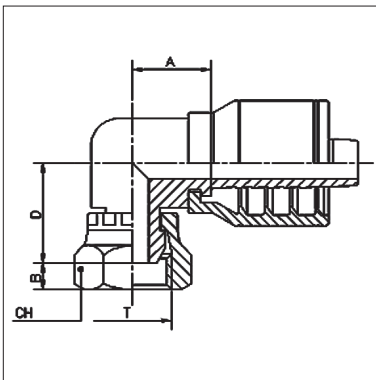


Product Code	BSPF Thread		Nominal ID			Dimensions mm			
	T	Size	DN	Inch	Dash	A	B	CH	D
BF9-0404K † *	1/4" - 19	04	6	1/4"	04	27.5	4.2	19	27
BF9-0604K *	3/8" - 19	06	6	1/4"	04	27.5	6	22	29.5
BF9-0606K † *	3/8" - 19	06	10	3/8"	06	32.5	6	22	30
BF9-0806K *	1/2" - 14	08	10	3/8"	06	32.5	6.5	27	32
BF9-0808K † *	1/2" - 14	08	12	1/2"	08	39	6.5	27	36.5
BF9-1010K	5/8" - 14	10	16	5/8"	10	46.5	9.5	27	49
BF9-1212J †	3/4" - 14	12	20	3/4"	12	62.5	8.7	32	58.8
BF9-1612J	1" - 11	16	20	3/4"	12		10.5	38	
BF9-1616J † ^a	1" - 11	16	25	1"	16	73	10.5	38	71
BF9-2020J ^a	1.1/4" - 11	20	32	1.1/4"	20	91.5	10	50	83
BF9-2424J ^a	1.1/2" - 11	24	38	1.1/2"	24	114	12	55	108
BF9-3232J ^a	2" - 11	32	50	2"	32	130	16	70	128

* Free Nut version. ^a Thrust wired nut version † Also in Stainless Steel, Product Code Example BF9SS-0808K

BFC9

BSPF FEMALE 90° COMPACT ELBOW

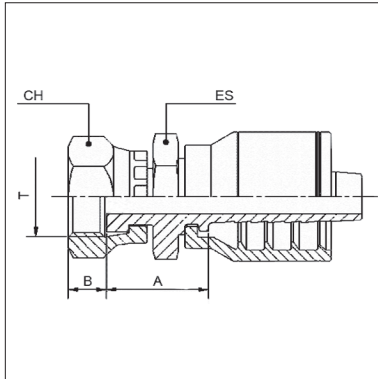


Product Code	BSPF Thread		Nominal ID			Dimensions mm			
	T	Size	DN	Inch	Dash	A	B	D	CH
BFC9-0404K	1/4" - 19	04	6	1/4"	04	17.5	6.5	23.5	19
BFC9-0606K	3/8" - 19	06	10	3/8"	06	21.5	6.5	25.5	22
BFC9-0808K	1/2" - 14	08	12	1/2"	08	25.5	9	28	27
BFC9-1212J	3/4" - 14	12	20	3/4"	12	35.7	9	36	32
BFC9-1616J	1" - 11	16	25	1"	16	32	10.5	34.5	38

BSP
ORIGIN: GREAT BRITAIN

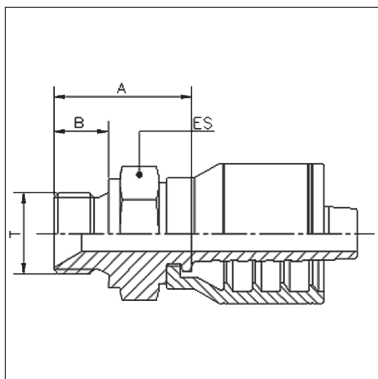


BFF1
BSPP FLAT FACE FEMALE STRAIGHT



Product Code	BSPP Thread		Nominal ID			Dimensions mm		
	T	Size	DN	Inch	Dash	A	B	CH
BFF1-0606K	3/8" - 19	06	10	3/8"	06	15.7	9	22
BFF1-0806K	1/2" - 14	08	10	3/8"	06	16	10.5	27
BFF1-0808K	1/2" - 14	08	12	1/2"	08	16.5	10.5	27
BFF1-1212J	3/4" - 14	12	20	3/4"	12	20.5	11.5	32
BFF1-1616J	1" - 11	16	25	1"	16	25	15	38

BPM1
BSPP MALE STRAIGHT



Product Code	BSPP Thread		Nominal ID			Dimensions mm		
	T	Size	DN	Inch	Dash	A	B	ES
BPM1-0404K	1/4" - 19	04	6	1/4"	04	26.5	11	19
BPM1-0604K	3/8" - 19	06	6	1/4"	04	28.5	12	22
BPM1-0605K	3/8" - 19	06	8	5/16"	05	28.5	12	22
BPM1-0606K	3/8" - 19	06	10	3/8"	06	28.5	12	22
BPM1-0806K	1/2" - 14	08	10	3/8"	06	28	12	22
BPM1-0808K	1/2" - 14	08	12	1/2"	08	34	14	27
BPM1-1212J	3/4" - 14	12	20	3/4"	12	38	16	32
BPM1-1612J	1" - 11	16	20	3/4"	12	41	19	41
BPM1-1616J	1" - 11	16	25	1"	16	43	19	41

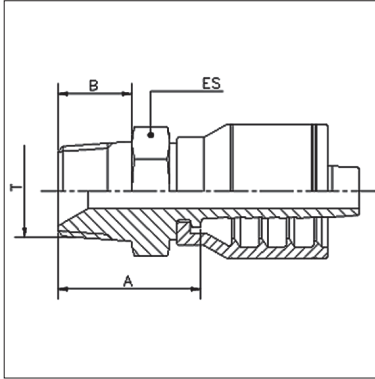
BSP

ORIGIN: GREAT BRITAIN



BTM1

BSPT MALE STRAIGHT



Product Code	BSPT Thread		Nominal ID			Dimensions mm		
	T	Size	DN	Inch	Dash	A	B	ES
BTM1-0204K	1/8" - 28	02	6	1/4"	04	20.2	9.7	12
BTM1-0404K	1/4" - 19	04	6	1/4"	04	26.5	14	14
BTM1-0604K	3/8" - 19	06	6	1/4"	04	29	15	19
BTM1-0406K	1/4" - 19	04	10	3/8"	06	24.5	14	14
BTM1-0606K	3/8" - 19	06	10	3/8"	06	29	15	19
BTM1-0806K	1/2" - 14	08	10	3/8"	06	32	18	22
BTM1-0608K	3/8" - 19	06	12	1/2"	08	27.5	15	19
BTM1-0808K	1/2" - 14	08	12	1/2"	08	32.5	18	22
BTM1-1208K	3/4" - 14	12	12	1/2"	08	37	20	27
BTM1-1010K	5/8" - 14	10	16	5/8"	10	33	16	24
BTM1-1210K	3/4" - 14	12	16	5/8"	10	42	20	27
BTM1-1212J	3/4" - 14	12	20	3/4"	12	39	20	27
BTM1-1612J	1" - 11	16	20	3/4"	12	47	23	36
BTM1-1616J	1" - 11	16	25	1"	16	48.1	23	36
BTM1-2020J	1.1/4" - 11	20	32	1.1/4"	20	52.9	25	46
BTM1-2424J	1.1/2" - 11	24	38	1.1/2"	24	53	28	50
BTM1-3232J	2" - 11	32	50	2"	32	56.7	28	60

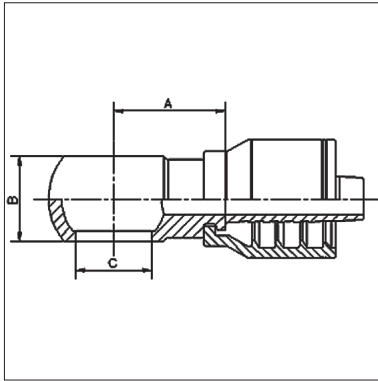
BSP BANJOS

ORIGIN: GREAT BRITAIN



BB1

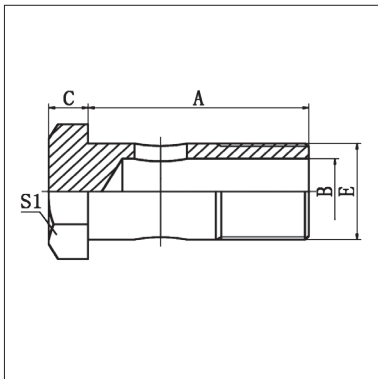
BSP BANJO STRAIGHT



Product Code	BSP Thread		Nominal ID			Dimensions mm		
	T	Size	DN	Inch	Dash	A	B	C
BB1-0404K	1/4" - 19	04	6	1/4"	04	22	14	13.2
BB1-0606K	3/8" - 19	06	10	3/8"	06	24	18	16.7
BB1-0808K	1/2" - 14	08	12	1/2"	08	27	22	21
BB1-1010K	5/8" - 14	10	16	5/8"	10	28	24	22.9
BB1-1212J	3/4" - 14	12	20	3/4"	12	38	29	26.5
BB1-1616J	1" - 11	16	25	1"	16	46.1	37	33.3

BBB

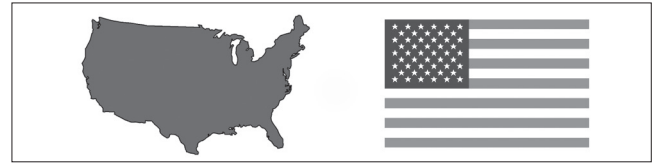
BSP BANJO BOLT



Product Code	Bolt Thread		Dimension (mm)				
	E	Size	A	B	C	S1	E
BBB-02	1/8" - 28	02	29.5	4.8	4.8	14	9.7
BBB-04	1/4" - 19	04	28.5	6	6	19	13.2
BBB-06	3/8" - 19	06	38.5	9	7	22	16.7
BBB-08	1/2" - 14	08	44	13	8.5	27	21
BBB-10	5/8" - 14	10	48.5	15	10	30	22.9
BBB-12	3/4" - 14	12	56	18	10	32	26.5
BBB-16	1" - 11	16	68.5	22	13	41	33.3

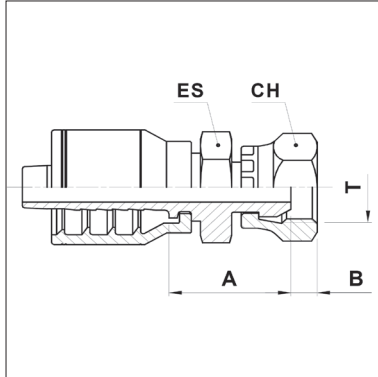
NPT

ORIGIN: NORTH AMERICA



NF1

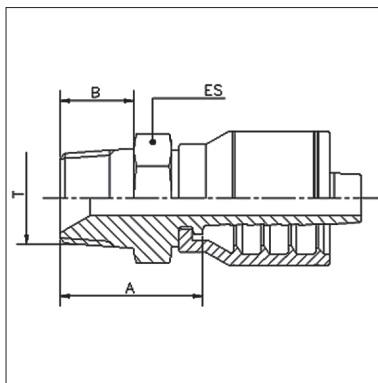
NPSM FEMALE STRAIGHT



Product Code	NPSM Thread		Nominal ID			Dimensions mm			
	T	Size	DN	Inch	Dash	A	B	CH	ES
NF1-0404K	1/4" - 18	04	6	1/4"	04	24	4.2	19	19
NF1-0606K	3/8" - 16	06	10	3/8"	06	26.5	5.7	22	22
NF1-0808K	1/2" - 14	08	12	1/2"	08	29	6.1	29.6	21.9
NF1-1212J	3/4" - 14	12	20	3/4"	12	35	8.3	31.9	27
NF1-1616J	1" - 11 1/2	16	25	1"	16	40.7	10.4	38	31.9

NM1

NPT MALE STRAIGHT

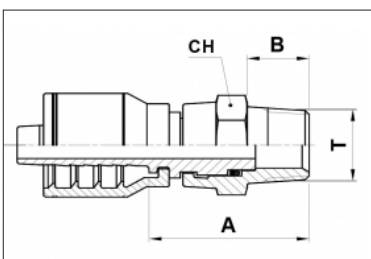


Product Code	NPT Thread		Nominal ID			Dimensions mm		
	T	Size	DN	Inch	Dash	A	B	ES
NM1-0204K	1/8" - 27	02	6	1/4"	04	22	9.5	14
NM1-0404K †	1/4" - 18	04	6	1/4"	04	26.5	14	14
NM1-0604K	3/8" - 18	06	6	1/4"	04	28	14	19
NM1-0406K	1/4" - 18	04	10	3/8"	06	26.5	14	17
NM1-0606K †	3/8" - 18	06	10	3/8"	06	28	14	19
NM1-0806K	1/2" - 14	08	10	3/8"	06	33	19	22
NM1-0608K	3/8" - 18	06	12	1/2"	08	28.5	14	19
NM1-0808K †	1/2" - 14	08	12	1/2"	08	33.5	19	22
NM1-1212J †	3/4" - 14	12	20	3/4"	12	43	19	27
NM1-1616J †	1" - 11 1/2	16	25	1"	16	49.1	24	36
NM1-2020J †	1.1/4" - 11 1/2	20	32	1.1/4"	20	62.9	24.5	46
NM1-2424J	1.1/2" - 11 1/2	24	38	1.1/2"	24	64	25.5	50
NM1-3232J	2" - 11 1/2	32	50	2"	32	76.7	26	65

† Also in Stainless Steel, Product Code Example NM1SS-0808K

NSM1

NPT SWIVEL MALE STRAIGHT

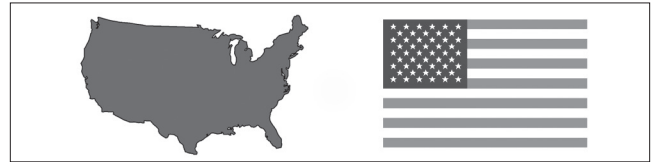


Product Code	NPT Thread		Nominal ID			Dimensions mm		
	T	Size	DN	Inch	Dash	A	B	CH
NSM1-0204K †	1/8" - 27	02	6	1/4"	04	36.5	9.5	17.0
NSM1-0404K †	1/4" - 18	04	6	1/4"	04	36.5	14.0	17.0
NSM1-0604K †	3/8" - 18	06	6	1/4"	04	41.8	14.0	22.0
NSM1-0606K †	3/8" - 18	06	10	3/8"	06	38.0	21.5	22.0
NSM1-0806K †	1/2" - 14	08	10	3/8"	06	41.5	19.0	27.0
NSM1-0608K †	3/8" - 18	06	12	1/2"	08	42.3	14.0	22.0
NSM1-0808K †	1/2" - 14	08	12	1/2"	08	42.0	19.0	27.0
NSM1-1212J †	3/4" - 14	12	19	3/4"	12	55.0	19.4	36.0
NSM1-1616J †	1" - 11.1/2	16	25	1"	16	62.5	24.2	38.0

† NOTE: With temperatures greater than 230°F, the service life of the fitting will be greatly reduced.

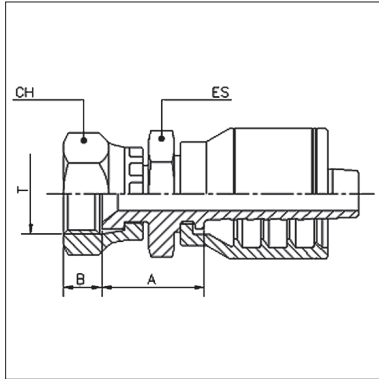
JIC FITTINGS

ORIGIN: NORTH AMERICA



JF1

JIC FEMALE STRAIGHT

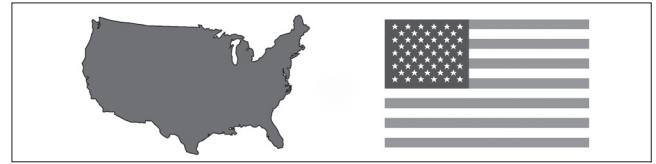


Product Code	JIC Thread			Hose Bore			Dimensions (mm)			
	Thread	Size	Tube	DN	Inch	Size	A	B	CH	ES
JF1-0404K †	7/16" - 20	04	04	6	1/4"	04	20.8	8.5	14	14
JF1-0504K	1/2" - 20	05	05	6	1/4"	04	21.5	10.5	17	14
JF1-0604K	9/16" - 18	06	06	6	1/4"	04	23	9.5	19	14
JF1-0605K	9/16" - 18	06	06	8	5/16"	05	21	9.5	19	14
JF1-0606K †	9/16" - 18	06	06	10	3/8"	06	24	9.5	19	19
JF1-0806K †	3/4" - 16	08	08	10	3/8"	06	25.9	10.7	22	19
JF1-1006K	7/8" - 14	10	06	10	3/8"	06	29.3	12.7	27	22
JF1-0808K †	3/4" - 16	08	08	12	1/2"	08	25.4	10.7	22	19
JF1-1008K †	7/8" - 14	10	10	12	1/2"	08	29.8	12.7	27	22
JF1-1208K	1.1/16" - 12	12	12	12	1/2"	08	35.5	13.8	32	27
JF1-1010K †	7/8" - 14	10	10	16	5/8"	10	29.8	12.7	27	22
JF1-1210K †	1.1/16" - 12	12	12	16	5/8"	10	35.5	13.8	32	27
JF1-1012J *	7/8" - 14	10	10	20	3/4"	12	37.8	12.7	32	27
JF1-1212J * †	1.1/16" - 12	12	12	20	3/4"	12	37.5	13.8	32	27
JF1-1412J * †	1.3/16" - 12	14	14	20	3/4"	12	37.5	15.4	36	30
JF1-1612J * †	1.5/16" - 12	16	16	20	3/4"	12	37.5	16	38	32
JF1-1616J * †	1.5/16" - 12	16	16	25	1"	16	36.6	16	38	32
JF1-2016J * †	1.5/8" - 12	20	20	25	1"	16	51.7	16	50	41
JF1-2020J * †	1.5/8" - 12	20	20	32	1.1/4"	20	38.5	16	50	41
JF1-2424J * †	1.7/8" - 12	24	24	38	1.1/2"	24	56.9	18.5	55	50
JF1-3232J * †	2.1/2" - 12	32	32	50	2"	32	74	24	75	65
JF1-4040J † †	3" - 12	40	40	63	2.1/2"	40	87.5	50	90	75

† Also in Stainless Steel, Product Code Example JF1SS-0808K * Thrust wired nut † † Double thrust wired nut

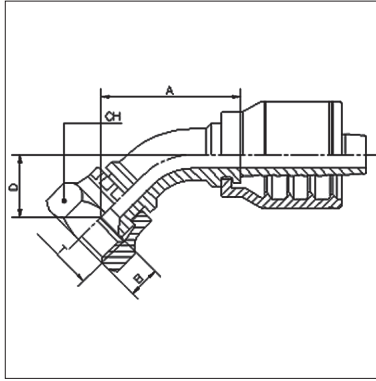
JIC FITTINGS

ORIGIN: NORTH AMERICA



JF4

JIC FEMALE 45° ELBOW

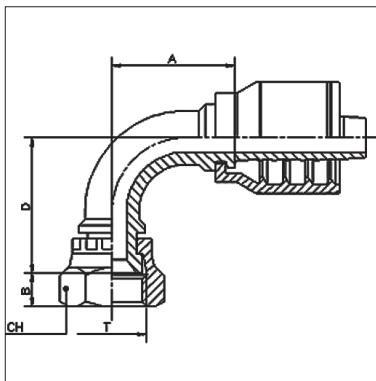


Product Code	JIC Thread			Hose Bore			Dimensions (mm)			
	Thread	Size	Tube	DN	Inch	Size	A	B	CH	D
JF4-0404K	7/16" - 20	04	04	6	1/4"	04	42	8.5	14	15
JF4-0504K	1/2" - 20	05	05	6	1/4"	04	41.5	10.5	17	15
JF4-0604K	9/16" - 18	06	06	6	1/4"	04	34.5	9.5	19	14.5
JF4-0606K	9/16" - 18	06	06	10	3/8"	06	44.5	9.5	19	11.5
JF4-0806K	3/4" - 16	08	08	10	3/8"	06	49.4	10.7	22	15
JF4-0808K †	3/4" - 16	08	08	12	1/2"	08	43.2	10.7	22	13.8
JF4-1008K	7/8" - 14	10	10	12	1/2"	08	55.5	12.5	27	19
JF4-1010K †	7/8" - 14	10	10	16	5/8"	10	62.5	12.7	27	24
JF4-1210K	1.1/16" - 12	12	12	16	5/8"	10	60.5	13.8	32	29t
JF4-1212J * †	1.1/16" - 12	12	12	20	3/4"	12	71.6	13.8	32	28.3
JF4-1612J *	1.5/16" - 12	16	16	20	3/4"	12	69	16	38	29.5
JF4-1616J *	1.5/16" - 12	16	16	25	1"	16	85	16	38	32
JF4-2020J *	1.5/8" - 12	20	20	32	1.1/4"	20	99.4	16	50	36.3
JF4-2424J *	1.7/8" - 12	24	24	38	1.1/2"	24	132.4	18.5	55	51.5
JF4-3232J *	2.1/2" - 12	32	32	50	2"	32	147.5	24	75	60

* Thrust wired nut † Also in Stainless Steel, Product Code Example JF4SS-0808K

JF9

JIC FEMALE 90° ELBOW

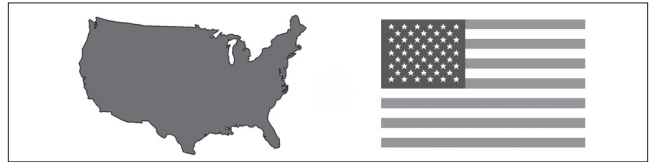


Product Code	JIC Thread			Hose Bore			Dimensions (mm)			
	Thread	Size	Tube	DN	Inch	Size	A	B	D	CH
JF9-0404K †	7/16" - 20	04	04	6	1/4"	04	32	8.5	30	14
JF9-0504K	1/2" - 20	05	05	6	1/4"	04	29	10.5	30	17
JF9-0604K	9/16" - 18	06	06	6	1/4"	04	27.5	9.5	27.5	19
JF9-0606K †	9/16" - 18	06	06	10	3/8"	06	31	9.5	22	19
JF9-0806K	3/4" - 16	08	08	10	3/8"	06	31.5	10.7	30	22
JF9-0808K †	3/4" - 16	08	08	12	1/2"	08	41	10.7	30	22
JF9-1008K	7/8" - 14	10	10	12	1/2"	08	42.5	12.5	40	27
JF9-1208K	1.1/16" - 12	12	12	12	1/2"	08	48.5	13.8	52	32
JF9-1010K †	7/8" - 14	10	10	16	5/8"	10	47.5	12.7	49	27
JF9-1210K	1.1/16" - 12	12	12	16	5/8"	10	48.5	13.8	47.5	32
JF9-1212J * †	1.1/16" - 12	12	12	20	3/4"	12	52	13.5	55	32
JF9-1612J *	1.5/16" - 12	16	16	20	3/4"	12	57	16	61	38
JF9-1616J * †	1.5/16" - 12	16	16	25	1"	16	72	16	73.5	38
JF9-2016J	1.5/8" - 12	20	20	25	1"	16	74.5	16	75.5	50
JF9-2020J * †	1.5/8" - 12	20	20	32	1.1/4"	20	81	16	80	50
JF9-2424J * †	1.7/8" - 12	24	24	38	1.1/2"	24	103	18.5	102	55
JF9-3232J * †	2.1/2" - 12	32	32	50	2"	32	130	24	133	70

* Thrust wired nut † Also in Stainless Steel, Product Code Example JF9SS-0808K

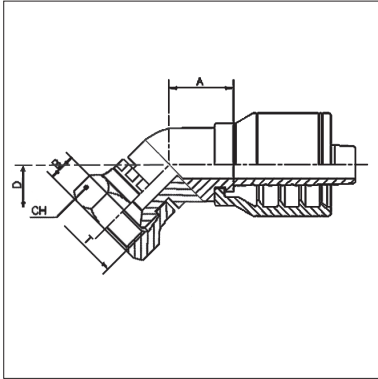
JIC FITTINGS

ORIGIN: NORTH AMERICA



JFC4

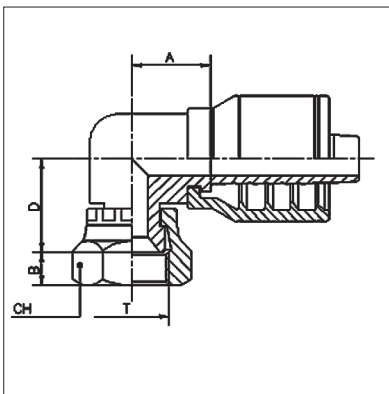
JIC FEMALE 45° COMPACT ELBOW



Product Code	JIC Thread			Hose Bore			Dimensions (mm)			
	Thread	Size	Tube	DN	Inch	Size	A	B	D	CH
JFC4-0404K	7/16" - 20	04	04	6	1/4"	04	17.5	8.5	13.0	14
JFC4-0604K	9/16" - 18	06	06	6	1/4"	04	17.5	8.5	10.0	19
JFC4-0606K	9/16" - 18	06	06	10	3/8"	06	21.5	8.5	12.0	19
JFC4-0806K	3/4" - 16	08	08	10	3/8"	06	21.5	10.5	10.8	22
JFC4-0808K	3/4" - 16	08	08	12	1/2"	08	25.5	9.5	15.0	22
JFC4-1008K	7/8" - 14	10	10	12	1/2"	08	25.5	13	13.0	27
JFC4-1010K	7/8" - 14	10	10	16	5/8"	10	25.5	13	14.7	27
JFC4-1212J	1.1/16" - 12	12	12	20	3/4"	12	52	13.5	15.0	32
JFC4-1616J	1.5/16" - 12	16	16	25	1"	16	72	16	18.0	38

JFC9

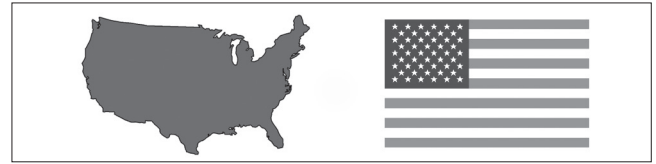
JIC FEMALE 90° COMPACT ELBOW



Product Code	JIC Thread			Hose Bore			Dimensions (mm)			
	Thread	Size	Tube	DN	Inch	Size	A	B	D	CH
JFC9-0404K	7/16" - 20	04	04	6	1/4"	04	17.5	8.5	20.5	14
JFC9-0604K	9/16" - 18	06	06	6	1/4"	04	17.5	8.5	25.5	19
JFC9-0606K	9/16" - 18	06	06	10	3/8"	06	21.5	8.5	25.5	19
JFC9-0806K	3/4" - 16	08	08	10	3/8"	06	21.5	10.5	26.5	22
JFC9-0808K	3/4" - 16	08	08	12	1/2"	08	25.5	9.5	29.5	22
JFC9-1008K	7/8" - 14	10	10	12	1/2"	08	25.5	13	28	27
JFC9-1010K	7/8" - 14	10	10	16	5/8"	10	25.5	13	28	27
JFC9-1210K	1.1/16" - 12	12	12	16	5/8"	10	25.5	14.5	28	32
JFC9-1212J	1.1/16" - 12	12	12	20	3/4"	12	52	13.5	55	32
JFC9-1616J	1.5/16" - 12	16	16	25	1"	16	72	16	73.5	38

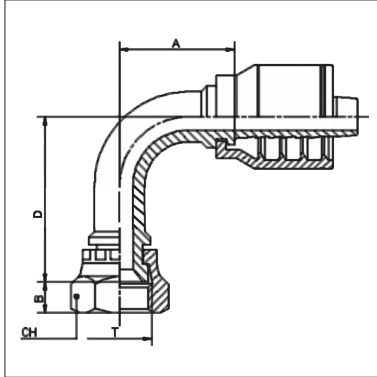
JIC FITTINGS

ORIGIN: NORTH AMERICA



JFL9

JIC FEMALE LONG DROP 90° ELBOW

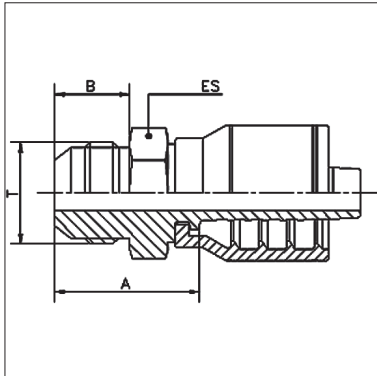


Product Code	JIC Thread			Hose Bore			Dimensions (mm)			
	Thread	Size	Tube	DN	Inch	Size	A	B	D	CH
JFL9-0404K	7/16" - 20	04	04	6	1/4"	04	32	8.5	46	14
JFL9-0604K	9/16" - 18	06	06	6	1/4"	04	27.5	9.5	56	19
JFL9-0606K	9/16" - 18	06	06	10	3/8"	06	35.5	9.5	56	19
JFL9-0806K	3/4" - 16	08	08	10	3/8"	06	37.1	10.7	62	22
JFL9-0808K †	3/4" - 16	08	08	12	1/2"	08	47.5	10.7	62	22
JFL9-1008K	7/8" - 14	10	10	12	1/2"	08	48.5	12.5	65	27
JFL9-1010K	7/8" - 14	10	10	16	5/8"	10	43.5	12.7	65	27
JFL9-1210K *	1.1/16" - 12	12	12	16	5/8"	10	55.5	12.7	95	32
JFL9-1212J * †	1.1/16" - 12	12	12	20	3/4"	12	52	13.8	95	32
JFL9-1616J * †	1.5/16" - 12	16	16	25	1"	16	81	16	110	38
JFL9-2020J *	1.5/8" - 12	20	20	32	1.1/4"	20	91.5	16	110	50

* Thrust wired nut † Also in Stainless Steel, Product Code Example JFL9SS-0808K

JM1

JIC MALE STRAIGHT



Product Code	JIC Thread			Hose Bore			Dimensions (mm)		
	Thread	Size	Tube	DN	Inch	Size	A	B	ES
JM1-0404K	7/16" - 20	04	04	6	1/4"	04	26.5	14	14
JM1-0804K	1/2" - 20	08	05	6	1/4"	04	26.5	14	14
JM1-0604K	9/16" - 18	06	06	6	1/4"	04	27.5	14	17
JM1-0605K	9/16" - 18	06	06	8	5/16"	05	27.5	14	17
JM1-0606K	9/16" - 18	06	06	10	3/8"	06	27.5	14	17
JM1-0806K	3/4" - 16	08	08	10	3/8"	06	30.2	16.7	19
JM1-0808K	3/4" - 16	08	08	12	1/2"	08	30.7	16.7	19
JM1-1008K	7/8" - 14	10	10	12	1/2"	08	34.9	19.3	24
JM1-1208K	1.1/16" - 12	12	12	12	1/2"	08	38.9	21.9	27
JM1-1010K	7/8" - 14	10	10	16	5/8"	10	35.3	19.3	24
JM1-1210K	1.1/16" - 12	12	12	16	5/8"	10	38.9	21.9	27
JM1-0606J	9/16" - 18	06	06	10	3/8"	06	27.5	14	17
JM1-0806J	3/4" - 16	08	08	10	3/8"	06	30.4	16.7	19
JM1-0808J	3/4" - 16	08	08	12	1/2"	08	32.4	16.7	19
JM1-1008J	7/8" - 14	10	10	12	1/2"	08	36.0	19.3	24
JM1-1012J	7/8" - 14	10	10	20	3/4"	12	44	19.3	27
JM1-1212J	1.1/16" - 12	12	12	20	3/4"	12	40.9	21.9	27
JM1-1412J	1.3/16" - 12	14	14	20	3/4"	12	46.6	22.6	32
JM1-1612J	1.5/16" - 12	16	16	20	3/4"	12	47.1	23.1	36
JM1-1616J	1.5/16" - 12	16	16	25	1"	16	48.2	23.1	36
JM1-2016J	1.5/8" - 12	20	20	25	1"	16	59.9	24.3	46
JM1-2020J	1.5/8" - 12	20	20	32	1.1/4"	20	62.7	24.3	46
JM1-2424J	1.7/8" - 12	24	24	38	1.1/2"	24	66	27.5	50
JM1-3232J	2" - 12	32	32	50	2"	32	84.6	33.9	65

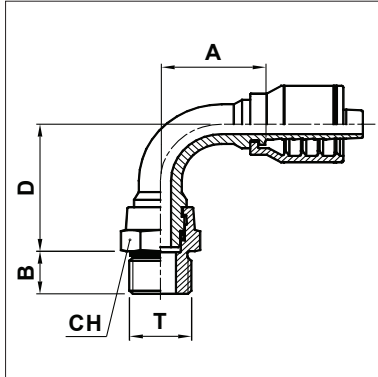
SAE FITTINGS

ORIGIN: NORTH AMERICA



OBSM9

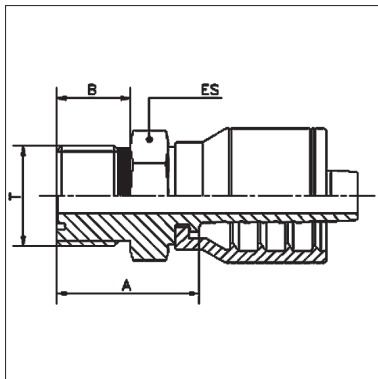
UNO MALE 90° SWIVEL ELBOW



Product Code	UNO Thread			Hose Bore			Dimensions (mm)			
	Thread	Size	Tube	DN	Inch	Size	A	B	CH	D
OBSM9-0806K	3/4" - 16	08	08	10	3/8"	06	34.5	11.1	52.4	27
OBSM9-0808K	3/4" - 16	08	08	12	1/2"	08	44.5	11.1	57.4	27
OBSM9-1008K	7/8" - 14	10	10	12	1/2"	08	44.5	12.7	58.8	27

OBM1

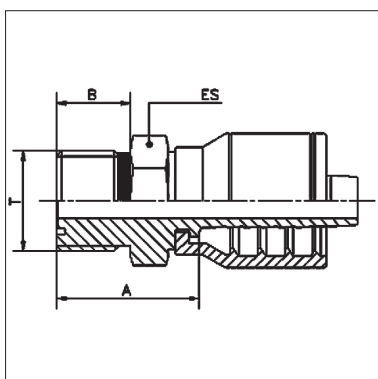
UNO MALE STRAIGHT



Product Code	UN Thread			Hose Bore			Dimensions (mm)		
	Thread	Size	Tube	DN	Inch	Size	A	B	ES
OBM1-0404K	7/16 - 20	04	04	6	1/4"	04	22	9.15	14
OBM1-0606K	9/16 - 18	06	06	10	3/8"	06	24.5	9.9	17
OBM1-0806K	3/4 - 16	08	08	10	3/8"	06	26.5	11.1	22
OBM1-0808K	3/4 - 16	08	08	12	1/2"	08	27	11.1	22
OBM1-1008K	7/8 - 14	10	08	16	1/2"	08	29	11.1	24
OBM1-1212J	1.1/16 - 12	12	12	20	3/4"	12	32.5	15	32
OBM1-1616J	1.3/16 - 12	16	16	25	1"	16	39.1	15.1	38

OBSM1

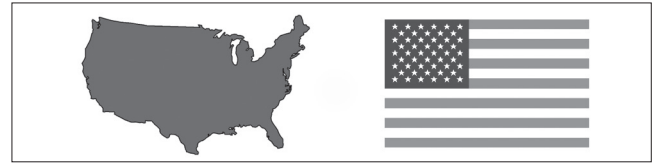
UNO MALE SWIVEL STRAIGHT



Product Code	UN Thread			Hose Bore			Dimensions (mm)		
	Thread	Size	Tube	DN	Inch	Size	A	B	ES
OBSM1-0404K	7/16 - 20	04	04	6	1/4"	04	36.5	9.15	17
OBSM1-0606K	9/16 - 18	06	06	10	3/8"	06	40.5	9.95	22
OBSM1-0808K	3/4 - 16	08	08	12	1/2"	08	48	11.1	27

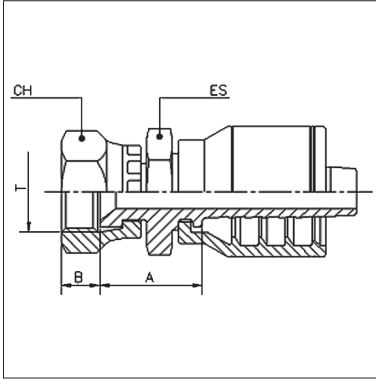
SAE FITTINGS

ORIGIN: NORTH AMERICA



SF1

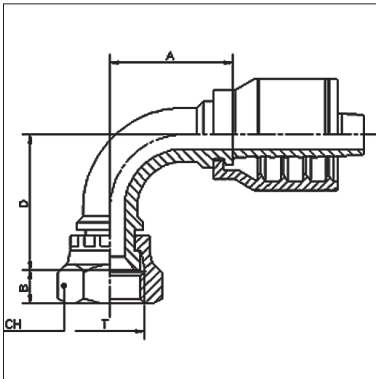
SAE FEMALE STRAIGHT



Product Code	SAE Thread			Hose Bore			Dimensions (mm)			
	Thread	Size	Tube	DN	Inch	Size	A	B	CH	ES
SF1-0604K	5/8" - 18	06	06	6	1/4"	04	23.9	10.8	22	19
SF1-0606K	5/8" - 18	06	06	10	3/8"	06	23.9	10.8	22	19
SF1-1212J	1.1/16" - 14	12	12	20	3/4"	12	31.2	14.4	32	27

SF9

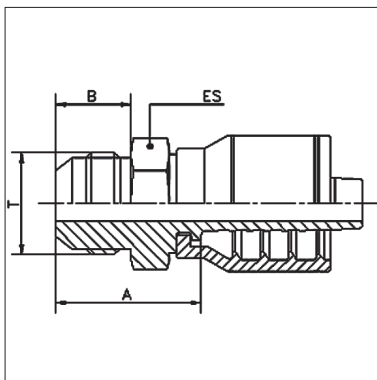
SAE FEMALE 90° ELBOW



Product Code	SAE Thread			Hose Bore			Dimensions (mm)			
	Thread	Size	Tube	DN	Inch	Size	A	B	D	CH
SF9-0606K	5/8" - 18	06	06	10	3/8"	06	37	10.8	37	22

SM1

SAE MALE STRAIGHT



Product Code	SAE Thread			Hose Bore			Dimensions (mm)			
	T (Thread)	Size	Tube	DN	Inch	Size	A	B	ES	
SM1-0606K	5/8" - 18	06	06	10	3/8"	06	29.2	15.7	17	

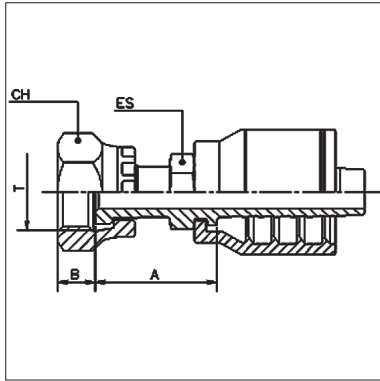
ORFS FITTINGS

ORIGIN: NORTH AMERICA



OF1*

O-RING FACE SEAL FEMALE STRAIGHT



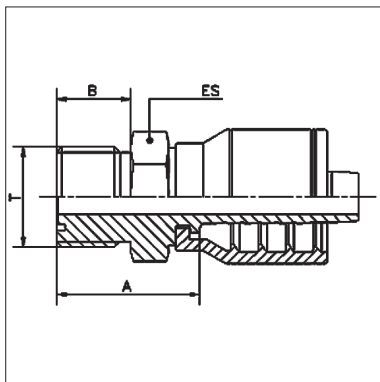
Product Code	UN Thread			Hose Bore			Dimensions (mm)			
	Thread	Size	Tube	DN	Inch	Size	A	B	CH	ES
OF1-0404K †	9/16" - 18	04	04	6	1/4"	04	28	8	17	14
OF1-0604K	11/16" - 16	06	06	6	1/4"	04	31.5	9.5	22	17
OF1-0606K †	11/16" - 16	06	06	10	3/8"	06	32	9.5	22	17
OF1-0806K †	13/16" - 16	08	08	10	3/8"	06	36.5	11	24	19
OF1-0808K †	13/16" - 16	08	08	12	1/2"	08	35	11	24	19
OF1-1008K	1" - 14	10	10	12	1/2"	08	39	13.5	30	24
OF1-1010K †	1" - 14	10	10	16	5/8"	10	39.1	13.5	30	24
OF1-1208K	1.3/16" - 12	12	12	12	1/2"	08	44.13	14.5	36	30
OF1-1210K	1.3/16" - 12	12	12	16	5/8"	08	44.13	14.5	36	30
OF1-1010J	1" - 14	10	10	16	5/8"	10	41	13.5	30	24
OF1-1212J †	1.3/16" - 12	12	12	20	3/4"	12	46	14.5	36	30
OF1-1612J	1.7/16" - 12	16	16	20	3/4"	12	53	14.8	41	36
OF1-1616J †	1.7/16" - 12	16	16	25	1"	16	54.1	14.8	41	36
OF1-2016J	1.11/16" - 12	20	20	25	1"	16	56.1	14.8	50	41
OF1-2020J †	1.11/16" - 12	20	20	32	1.1/4"	20	55.9	14.8	50	41
OF1-2420J	2" - 12	24	24	32	1.1/4"	20	63.1	14.8	60	50
OF1-2424J	2" - 12	24	24	25	1.1/2"	24	61.2	14.8	60	50

† Also in Stainless Steel, Product Code Example OF1SS-0808K

* For data pertaining to these fittings when equipped with metric threads, as commonly encountered on equipment of Chinese origin, please refer to Product Code **MOF1** on page C 25 of this catalog

OM1

O-RING FACE SEAL MALE STRAIGHT



Product Code	UN Thread			Hose Bore			Dimensions (mm)		
	Thread	Size	Tube	DN	Inch	Size	A	B	ES
OM1-0404K	9/16" - 18	04	04	6	1/4"	04	24.3	9.8	15
OM1-0606K	11/16" - 16	06	06	10	3/8"	06	26.7	11.2	19
OM1-0806K	13/16" - 16	08	08	10	3/8"	06	29	12.8	22
OM1-0808K	13/16" - 16	08	08	12	1/2"	08	29.6	12.8	22
OM1-1008K	1" - 14	10	10	12	1/2"	08	34.1	15.5	27
OM1-1010K	1" - 14	10	10	16	5/8"	10	31.4	15.5	27
OM1-1210K	1.3/16" - 12	12	12	16	5/8"	10	37.1	17	32
OM1-1212J	1.3/16" - 12	12	12	20	3/4"	12	39.1	17	32
OM1-1616J	1.7/16" - 12	16	16	25	1"	16	41.9	17.5	41
OM1-2016J	1.11/16" - 12	20	20	25	1"	16	72	17.5	46
OM1-2020J	1.11/16" - 12	20	20	32	1.1/4"	20	45.4	17.5	46

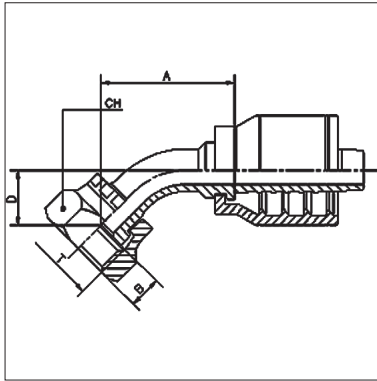
ORFS FITTINGS

ORIGIN: NORTH AMERICA



OF4

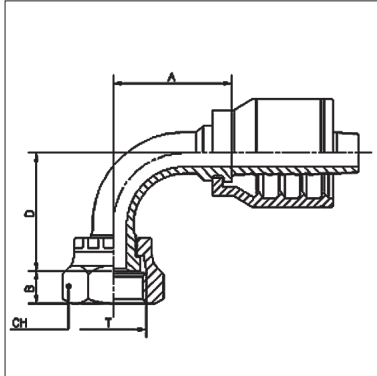
O-RING FACE SEAL FEMALE 45° ELBOW



Product Code	UN Thread			Hose Bore			Dimensions (mm)			
	Thread	Size	Tube	DN	Inch	Size	A	B	D	CH
OF4-0404K	9/16" - 18	04	04	6	1/4"	04	43.5	8	11	17
OF4-0604K	11/16" - 16	06	06	6	1/4"	04	36	9.5	15	22
OF4-0606K	11/16" - 16	06	06	10	3/8"	06	47.5	9.5	15	22
OF4-0806K	13/16" - 16	08	08	10	3/8"	06	43.5	11	15	24
OF4-0808K	13/16" - 16	08	08	12	1/2"	08	56.5	11	14	24
OF4-1208K	1.3/16" - 12	12	12	12	1/2"	08	54.5	14.5	20	36
OF4-1010K	1" - 14	10	10	16	5/8"	10	56.5	13.5	21	30
OF4-1212J	1.3/16" - 12	12	12	20	3/4"	12	65.4	14.5	23.2	36
OF4-1616J	1.7/16" - 12	16	16	25	1"	16	84	14.8	31	41
OF4-2020J	1.11/16" - 12	20	20	32	1.1/4"	20	95.4	14.8	36.3	50
OF4-2424J	2" - 12	24	24	38	1.1/2"	24	124.6	14.8	47.2	60

OF9

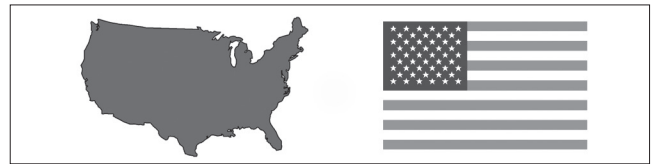
O-RING FACE SEAL FEMALE 90° ELBOW



Product Code	UN Thread			Hose Bore			Dimensions (mm)			
	Thread	Size	Tube	DN	Inch	Size	A	B	D	CH
OF9-0404K	9/16" - 18	04	04	6	1/4"	04	29	8	25	17
OF9-0604K	11/16" - 16	06	06	6	1/4"	04	27	9.5	27	22
OF9-0606K	11/16" - 16	06	06	10	3/8"	06	32.5	9.5	28	22
OF9-0806K	13/16" - 16	08	08	10	3/8"	06	33	11	30	24
OF9-0808K	13/16" - 16	08	08	12	1/2"	08	40.5	11	30	24
OF9-1008K	1" - 14	10	10	12	1/2"	08	44	13.5	34	30
OF9-1010K	1" - 14	10	10	16	5/8"	10	56	13.5	51	30
OF9-1208K	1.3/16" - 12	12	12	12	1/2"	08	56.5	14.5	51.5	36
OF9-1210K	1.3/16" - 12	12	12	16	5/8"	10	56.5	14.5	51.5	36
OF9-0606J	11/16" - 16 06	06	06	10	3/8"	06	31.5	9.5	25	22
OF9-0808J	13/16" - 16	08	08	12	1/2"	08	43.3	11	30	24
OF9-1010J	1" - 14	10	10	16	5/8"	10	55	12	45	30
OF9-1212J	1.3/16" - 12	12	12	20	3/4"	12	61	14.5	51.5	36
OF9-1612J	1.7/16" - 12	16	16	20	3/4"	12	61	14.8	57.5	41
OF9-1616J	1.7/16" - 12	16	16	25	1"	16	73	14.8	71	41
OF9-2016J	1.11/16" - 12	20	20	25	1"	16	73	14.8	77	50
OF9-2020J	1.11/16" - 12	20	20	32	1.1/4"	20	84.4	14.8	77	50
OF9-2424J	2" - 12	24	24	38	1.1/2"	24	102	14.8	100	60

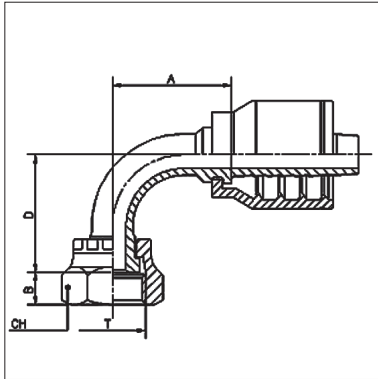
ORFS FITTINGS

ORIGIN: NORTH AMERICA



OFL9

O-RING FACE SEAL FEMALE
90° LONG DROP ELBOW



Product Code	UN Thread			Hose Bore			Dimensions (mm)			
	Thread	Size	Tube	DN	Inch	Size	A	B	D	CH
OFL9-0404K	9/16" - 18	04	04	6	1/4"	04	29	8	46	17
OFL9-0606K	11/16" - 16	06	06	10	3/8"	06	32.5	9.5	54	22
OFL9-0808K	13/16" - 16	08	08	12	1/2"	08	41.5	11	64	24
OFL9-1008K	1" - 14	10	10	12	1/2"	08	55	13.5	70	30
OFL9-1010K	1" - 14	10	10	16	5/8"	10	55	13.5	70	30
OF9-1010J-100	1" - 14	10	10	16	5/8"	10	55	12	100	30
OFL9-1212J	1.3/16" - 12	12	12	20	3/4"	12	61	14.5	96	36
OFL9-1612J	1.7/16" - 12	16	16	20	3/4"	12	61	14.8	114	41
OFL9-1616J	1.7/16" - 12	16	16	25	1"	16	73	14.8	114	41

METRIC FITTINGS

ORIGIN: GERMANY

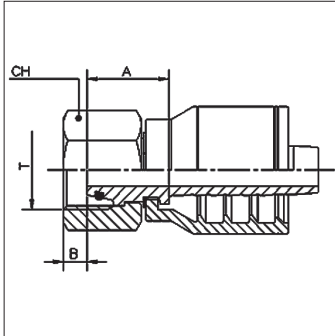


DLF1

DKL (LIGHT) METRIC FEMALE, STRAIGHT

INFORMATION:

DKL = Dicht Kegel Leicht meaning Sealing Cone Light (Cone included angle is 24°)

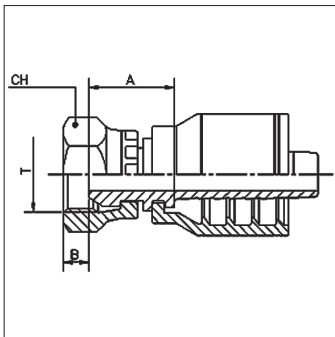


Product Code	Metric Thread			Hose Bore			Dimensions (mm)		
	Thread	Size	Tube	DN	Inch	Size	A	B	CH
DLF1-1204K †	M12 x 1.5	12	6 L	6	1/4"	04	20.9	2.6	16
DLF1-1404K †	M14 x 1.5	14	8 L	6	1/4"	04	25	1.5	17
DLF1-1604K	M16 x 1.5	16	10 L	6	1/4"	04	26.5	1.5	19
DLF1-1605K	M16 x 1.5	16	10 L	08	5/16"	05	26.5	1.5	19
DLF1-1606K †	M16 x 1.5	16	10 L	10	3/8"	06	27.5	1.5	22
DLF1-1804K	M18 x 1.5	18	12 L	6	1/4"	04	26	1.5	22
DLF1-1806K †	M18 x 1.5	18	12 L	10	3/8"	06	26	1.5	22
DLF1-2206K	M22 x 1.5	22	15 L	10	3/8"	06	27.5	2.5	27
DLF1-2208K †	M22 x 1.5	22	15 L	12	1/2"	08	28.5	2.5	27
DLF1-2610K †	M26 x 1.5	26	18 L	16	5/8"	10	29	2	32
DLF1-3012J †	M30 x 2	30	22 L	20	3/4"	12	31	3.5	36
DLF1-3616J †	M36 x 2	36	28 L	25	1"	16	32.1	3.5	41
DLF1-4520J	M45 x 2	45	35 L	32	1.1/4"	20	41.4	2	50
DLF1-5224J	M52 x 2	52	42 L	38	1.1/2"	24	39.5	3	60

† Also in Stainless Steel, Product Code Example DLF1SS-1806K

DMSF1

DKL (LIGHT) METRIC MULTISEAL FEMALE, STRAIGHT

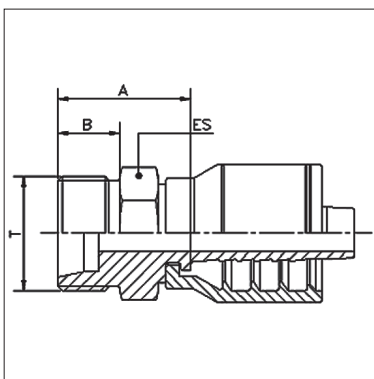


Product Code	Metric Thread			Hose Bore			Dimensions (mm)		
	Thread	Size	Tube	DN	Inch	Size	A	B	CH
DMSF1-1404K	M14 x 1.5	14	8 L	6	1/4"	04	20.5	3.5	17
DMSF1-1604K	M16 x 1.5	16	10 L	6	1/4"	04	20	5	19
DMSF1-1606K	M16 x 1.5	16	10 L	10	3/8"	06	20	5	19
DMSF1-1806K	M18 x 1.5	18	12 L	10	3/8"	06	21	5	22
DMSF1-2208K	M22 x 1.5	22	15 L	12	1/2"	08	23.5	5	27

These fittings are commonly found on European pressure cleaners and on forklifts / small mobile equipment of Chinese origin

DLM1

DKL (LIGHT) METRIC MALE, STRAIGHT



Product Code	Metric Thread			Hose Bore			Dimensions (mm)		
	Thread	Size	Tube	DN	Inch	Size	A	B	ES
DLM1-1204K	M12 x 1.5	12	6 L	6	1/4"	04	22.5	10	14
DLM1-1404K	M14 x 1.5	14	8 L	6	1/4"	04	22.5	10	14
DLM1-1604K	M16 x 1.5	16	10 L	06	1/4"	04	24.5	11	17
DLM1-1605K	M16 x 1.5	16	10 L	08	5/16"	05	24.5	11	17
DLM1-1606K	M16 x 1.5	16	10 L	10	3/8"	06	24.5	11	17
DLM1-1806K	M18 x 1.5	18	12 L	10	3/8"	06	25	11	19
DLM1-2208K	M22 x 1.5	22	15 L	12	1/2"	08	26.5	12	22
DLM1-2610K	M26 x 1.5	26	18 L	16	5/8"	10	29	12	27
DLM1-3012J	M30 x 2	30	22 L	20	3/4"	12	35	14	30
DLM1-3616J	M36 x 2	36	28 L	25	1"	16	35.1	14	36

This page is part of a complete catalog containing technical and safety data.
All data must be reviewed when selecting a product.
PIRTEK reserves the right to change technical specifications without notice.

METRIC FITTINGS

ORIGIN: GERMANY

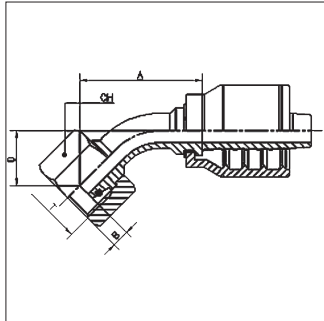


DLF4

DKL (LIGHT) METRIC FEMALE, 45° ELBOW

INFORMATION:

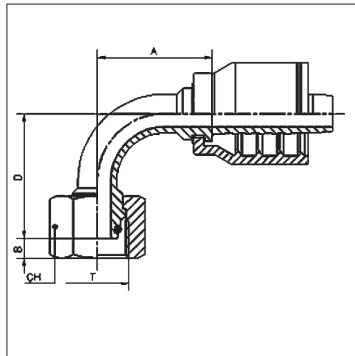
DKL = Dicht Kegel Leicht meaning Sealing Cone Light (Cone included angle is 24°)



Product Code	Metric Thread		Hose Bore			Dimensions (mm)				
	Thread	Size	Tube	DN	Inch	Size	A	B	D	CH
DLF4-1204K	M12 x 1.5	12	6 L	6	1/4"	04	38.5	2.6	18	16
DLF4-1404K	M14 x 1.5	14	8 L	6	1/4"	04	39.7	1.5	20	17
DLF4-1605K	M16 x 1.5	16	10L	8	5/16"	05	41.5	1.5	19	19
DLF4-1606K	M16 x 1.5	16	10 L	10	3/8"	06	50.5	1.5	19	22
DLF4-1806K	M18 x 1.5	18	12 L	10	3/8"	06	46.5	1.5	19	22
DLF4-2208K	M22 x 1.5	22	15 L	12	1/2"	08	52.5	2.5	23	27
DLF4-2610K	M26 x 1.5	26	18 L	16	5/8"	10	69.5	2	27.2	32
DLF4-3012J	M30 x 2	30	22 L	20	3/4"	12	76.7	3.5	32	36
DLF4-3616J	M36 x 2	36	28 L	25	1"	16	91.6	3.5	35.5	41

DLF9

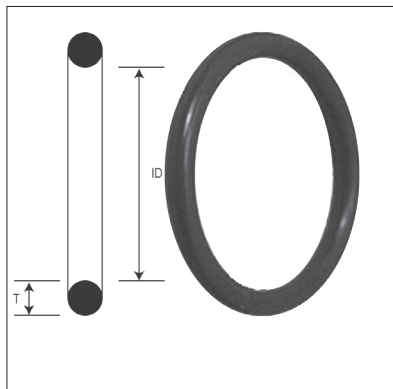
DKL (LIGHT) METRIC FEMALE, 90° ELBOW



Product Code	Metric Thread		Hose Bore			Dimensions (mm)				
	Thread	Size	Tube	DN	Inch	Size	A	B	D	CH
DLF9-1204K	M12 x 1.5	12	6 L	06	1/4"	04	27.5	2.36	37	16
DLF9-1404K	M14 x 1.5	14	8 L	06	1/4"	04	29.5	1.5	37.6	17
DLF9-1605K	M16 x 1.5	16	10L	08	5/16"	05	31.5	1.5	35.5	19
DLF9-1606K	M16 x 1.5	16	10 L	10	3/8"	06	65	1.5	37	22
DLF9-1804K	M18 x 1.5	18	12 L	06	1/4"	04		1.5		22
DLF9-1806K	M18 x 1.5	18	12 L	10	3/8"	06	32	1.5	39	22
DLF9-2208K	M22 x 1.5	22	15 L	12	1/2"	08	39	2.5	45	27
DLF9-2610K	M26 x 1.5	26	18 L	16	5/8"	10	57.5	2	56	32
DLF9-3012J	M30 x 2	30	22 L	19	3/4"	12	72.7	3.5	67.5	36
DLF9-3616J †	M36 x 2	36	28 L	25	1"	16	79.6	3.5	75	41
DLF9-4520J	M45 x 2	45	35 L	32	1.1/4"	20	104.5	2	89.5	50
DLF9-5224J	M52 x 2	52	42 L	38	1.1/2"	24	116.3	3	103.5	60

† Also in Stainless Steel, Product Code Example DLF1SS-3616J

O-RING DATA



O-Ring Details for Light Series Hose tails				
Product Code	Hose Tail Series	Metric Thread Size	Tube O.D. (mm)	O-Ring (mm)
				I.D. x Thickness
DKOR 06-L/S	DLF1 DLF4 DLF9	M12x1.5	6	4x1.5
DKOR 08-L/S		M14x1.5	8	6x1.5
DKOR 10-L/S		M16x1.5	10	7.5x1.5
DKOR 12-L/S		M18x1.5	12	9x1.5
DKOR 15-L		M22x1.5	15	12x2
DKOR 18-L		M26x1.5	18	15x2
DKOR 22-L		M30x2	22	20x2
DKOR 28-L		M36x2	28	26x2
DKOR 35-L		M45x2	35	32x2.5
DKOR 42-L		M52x2	42	38x2.5

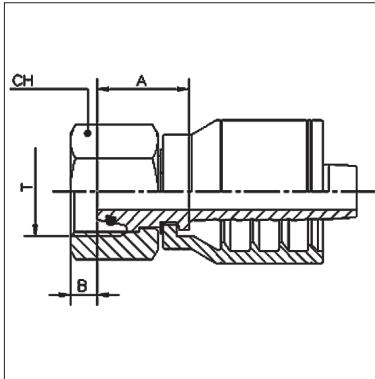
METRIC FITTINGS

ORIGIN: GERMANY



DSF1

DKS (HEAVY) METRIC FEMALE
STRAIGHT



INFORMATION:

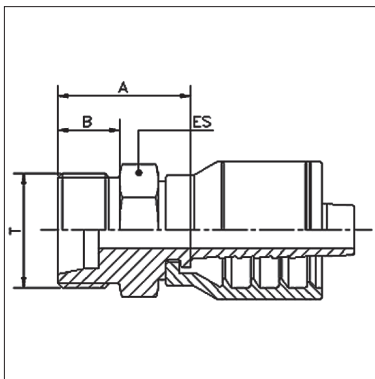
DKS = Dicht Kegel Schwer meaning Sealing Cone Heavy (Cone included angle is 24°)

Product Code	Metric Thread			Hose Bore			Dimensions (mm)		
	Thread	Size	Tube	DN	Inch	Size	A	B	CH
DSF1-1404K †	M14 x 1.5	14	6 S	6	1/4"	04	22	2.5	17
DSF1-1604K	M16 x 1.5	16	8 S	6	1/4"	04	26.5	2.5	19
DSF1-1804K	M18 x 1.5	18	10 S	6	1/4"	04	28	2	22
DSF1-2005K	M20 x 1.5	20	12 S	8	5/16"	05	27	2	24
DSF1-2006K †	M20 x 1.5	20	12 S	10	3/8"	06	25.5	2	24
DSF1-2206K	M22 x 1.5	22	14 S	10	3/8"	06	28.5	4	27
DSF1-2408K †	M24 x 1.5	24	16 S	12	1/2"	08	32	3	30
DSF1-3010K †	M30 x 2	30	20 S	16	5/8"	10	34	3.5	36
DSF1-3012J †	M30 x 2	30	20 S	20	3/4"	12	34	3.5	36
DSF1-3612J †	M36 x 2	36	25 S	20	3/4"	12	41	3	46
DSF1-3616J †	M36 x 2	36	25 S	25	1"	16	42.1	3	46
DSF1-4216J	M42 x 2	42	30 S	25	1"	16	44.6	6	50
DSF1-5220J	M52 x 2	52	38 S	32	1.1/4"	20	48.9	6.5	60

† Also in Stainless Steel, Product Code Example DSF1SS-2408K

DSM1

DKS (HEAVY) METRIC MALE
STRAIGHT



Product Code	Metric Thread			Hose Bore			Dimensions (mm)		
	Thread	Size	Tube	DN	Inch	Size	A	B	ES
DSM1-1604K	M16 x 1.5	16	8 S	6	1/4"	04	26	12	17
DSM1-1804K	M18 x 1.5	18	10 S	6	1/4"	04	26	12	19
DSM1-2006K	M20 x 1.5	20	12 S	10	3/8"	06	26	12	22
DSM1-2206K	M22 x 1.5	22	14 S	10	3/8"	06	28	14	22
DSM1-2408K	M24 x 1.5	24	16 S	12	1/2"	08	28.5	14	24
DSM1-3010K	M30 x 2	30	20 S	16	5/8"	10	33	16	30
DSM1-3612J	M36 x 2	36	25 S	20	3/4"	12	38	18	36
DSM1-4216J	M42 x 2	42	30 S	25	1"	16	40.1	20	46
DSM1-5220J	M52 x 2	52	38 S	32	1.1/4"	20	49.9	22	55

METRIC FITTINGS

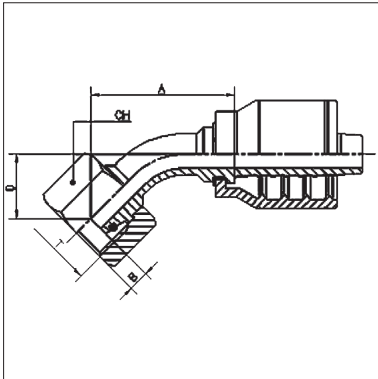
ORIGIN: GERMANY



DSF4

DKS (HEAVY) METRIC FEMALE

45° ELBOW



INFORMATION:

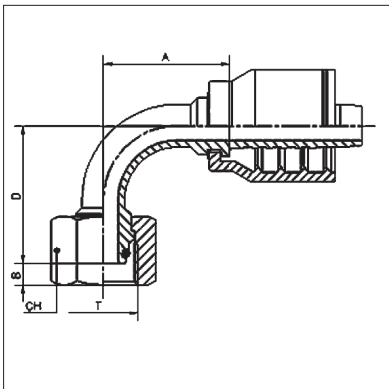
DKS = Dicht Kegel Schwer meaning Sealing Cone Heavy (Cone included angle is 24°)

Product Code	Metric Thread			Hose Bore			Dimensions (mm)			
	Thread	Size	Tube	DN	Inch	Size	A	B	D	CH
DSF4-1404K	M14 x 1.5	14	6 S	6	1/4"	04	40.5	2.5	20	17
DSF4-1604K	M16 x 1.5	16	8 S	6	1/4"	04	40.5	2.5	16.5	19
DSF4-1804K	M18 x 1.5	18	10 S	6	1/4"	04	42.5	2	17	22
DSF4-2006K	M20 x 1.5	20	12 S	10	3/8"	06	46	2	21.5	24
DSF4-2206K	M22 x 1.5	22	14 S	10	3/8"	06	49.5	4	23.4	27
DSF4-2408K	M24 x 1.5	24	16 S	12	1/2"	08	61	3	26	30
DSF4-3010K	M30 x 2	30	20 S	16	5/8"	10	59	3.5	26	36
DSF4-3012J	M30 x 2	30	20 S	20	3/4"	12	59	3.5	26	36
DSF4-3612J	M36 x 2	36	25 S	20	3/4"	12	81.5	3	34.5	46
DSF4-4216J	M42 x 2	42	30 S	25	1"	16	91.5	6	35	50

DSF9

DKS (HEAVY) METRIC FEMALE

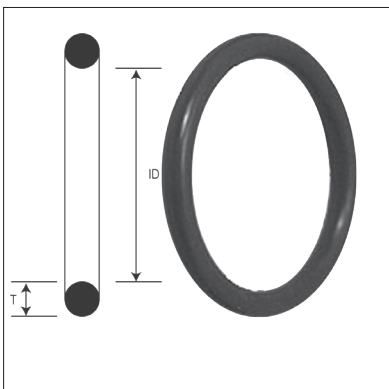
90° ELBOW



Product Code	Metric Thread			Hose Bore			Dimensions (mm)			
	Thread	Size	Tube	DN	Inch	Size	A	B	D	CH
DSF9-1404K	M14 x 1.5	14	6 S	6	1/4"	04	27.5	2.5	37.5	17
DSF9-1604K	M16 x 1.5	16	8 S	6	1/4"	04	28.5	2.5	32	19
DSF9-1804K	M18 x 1.5	18	10 S	6	1/4"	04	33	2	33.5	22
DSF9-2006K	M20 x 1.5	20	12 S	10	3/8"	06	37	2	36	24
DSF9-2206K	M22 x 1.5	22	14 S	10	3/8"	06	38.5	4	46	27
DSF9-2408K †	M24 x 1.5	24	16 S	12	1/2"	08	43.5	3	46	30
DSF9-3010K	M30 x 2	30	20 S	16	5/8"	10	52	3.5	53.5	36
DSF9-3012J †	M30 x 2	30	20 S	20	3/4"	12	52	3.5	53.5	36
DSF9-3612J †	M36 x 2	36	25 S	20	3/4"	12	73.7	3	72.5	46
DSF9-3616J	M36 x 2	36	25 S	25	1"	16	73.7	3	72.5	46
DSF9-4216J	M42 x 2	42	30 S	25	1"	16	83	6	77	50
DSF9-5220J	M52 x 2	52	38 S	32	1.1/4"	20	95.6	6.5	104	60

† Also in Stainless Steel, Product Code Example DLF9SS-2408K

O-RING DATA



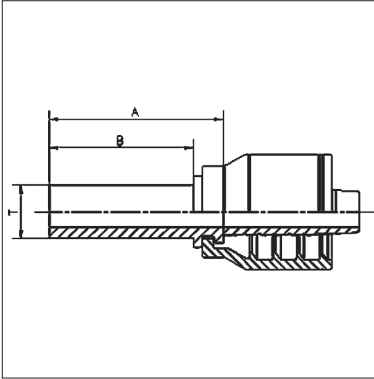
O-Ring Details for Heavy Series Hose tails				
Product Code	Hose Tail Series	Metric Thread Size	Tube O.D. (mm)	O-Ring (mm)
				I.D. x Thickness
DKOR 06-L/S	DSF1 DSF4 DSF9	M14x1.5	6	4x1.5
DKOR 08-L/S		M16x1.5	8	6x1.5
DKOR 10-L/S		M18x1.5	10	7.5x1.5
DKOR 12-L/S		M20x1.5	12	9x1.5
DKOR 14-S		M22x1.5	14	10x2
DKOR 16-S		M24x1.5	16	12x2
DKOR 20-S		M30x2	20	16.3x2.4
DKOR 25-S		M36x2	25	20.3x2.4
DKOR 30-S		M42x2	30	25.3x2.4
DKOR 38-S		M52x2	38	33.3x2.4

METRIC FITTINGS

ORIGIN: GERMANY

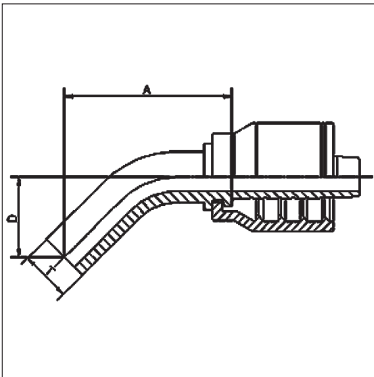


SPM1

METRIC STANDPIPE
STRAIGHT

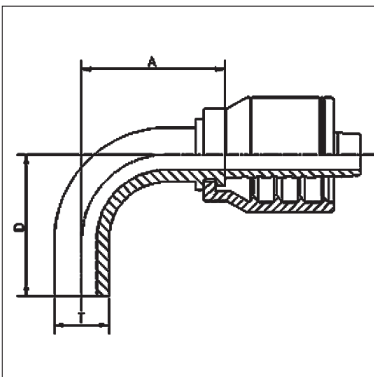
Product Code	Metric Thread			Hose Bore			Dimensions (mm)		
	Thread	Size	Tube	DN	Inch	Size	T	A	B
SPM1-0604K †	06	06	6 L/S	06	1/4"	04	6	28	22
SPM1-0804K †	08	08	8 L/S	06	1/4"	04	8	30.5	24
SPM1-1004K †	10	10	10 L/S	06	1/4"	04	10	33	27
SPM1-1005K †	10	10	10 L/S	08	5/16"	05	10	30.5	24
SPM1-1006K †	10	10	10 L/S	10	3/8"	06	10	30.5	24
SPM1-1206K †	12	12	12 L/S	10	3/8"	06	12	30.5	24
SPM1-1508K †	15	15	15 L	12	1/2"	08	15	33	26
SPM1-1608K †	16	16	16 S	12	1/2"	08	16	37	30
SPM1-1810K †	18	18	18 L	16	5/8"	10	18	34	27
SPM1-2010K †	20	20	20 S	16	5/8"	10	20	44	37
SPM1-2212J †	22	22	22 L	20	3/4"	12	22	36.5	29
SPM1-2512J †	25	25	25 S	20	3/4"	12	25	48.5	41
SPM1-2816J †	28	28	28 L	25	1"	16	28	39.5	30
SPM1-3016J †	30	30	30 S	25	1"	16	30	53.5	44

SPM4

METRIC STANDPIPE
45° ELBOW

Product Code	Metric Thread			Hose Bore			Dimensions (mm)		
	Thread	Size	Tube	DN	Inch	Size	T	A	D
SPM4-0604K †	06	06	6 L/S	6	1/4"	04	6	45	22
SPM4-0804K †	08	08	8 L/S	6	1/4"	04	8	50.5	23
SPM4-1004K †	10	10	10 L/S	6	1/4"	04	10	57.5	24.5
SPM4-1006K †	10	10	10 L/S	10	3/8"	06	10	45.5	22
SPM4-1206K †	12	12	12 L/S	10	3/8"	06	12	56	29
SPM4-1508K †	15	15	15 L	12	1/2"	08	15	60.5	28
SPM4-1608K †	16	16	16 S	12	1/2"	08	16	53	34
SPM4-1810K †	18	18	18 L	16	5/8"	10	18	86	39
SPM4-2010K †	20	20	20 S	16	5/8"	10	20	86	46

SPM9

METRIC STANDPIPE
90° ELBOW

Product Code	Metric Thread			Hose Bore			Dimensions (mm)		
	Thread	Size	Tube	DN	Inch	Size	T	A	D
SPM9-0604K †	06	06	6 L/S	6	1/4"	04	6	25	34
SPM9-0804K †	08	08	8 L/S	6	1/4"	04	8	27.5	36
SPM9-1004K †	10	10	10 L/S	6	1/4"	04	10	27.5	36
SPM9-1005K †	10	10	10 L/S	8	5/16"	05	10	36	39
SPM9-1006K †	10	10	10 L/S	10	3/8"	06	10	36	39
SPM9-1206K †	12	12	12 L/S	10	3/8"	06	12	33.5	47
SPM9-1508K †	15	15	15 L	12	1/2"	08	15	43.5	54
SPM9-1608K †	16	16	16 S	12	1/2"	08	16	42.5	53.5
SPM9-1810K †	18	18	18 L	16	5/8"	10	18	58.5	63
SPM9-2010K †	20	20	20 S	16	5/8"	10	20	59.5	68

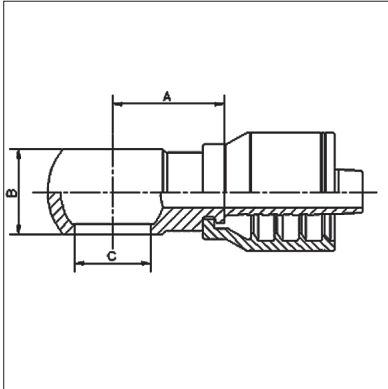
METRIC FITTINGS

ORIGIN: GERMANY



BM1

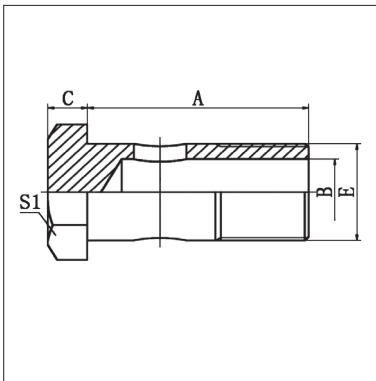
METRIC BANJO STRAIGHT



Product Code	Metric Thread		Nominal ID			Dimensions mm			
	T	Size	Dash	Inch	DN	A	B	C	
BM1-1204K	M12 x 1.5	12	12	6	1/4"	04	21	12	12
BM1-1405K	M14 x 1.5	14	14	8	5/16"	05	22.5	14	14
BM1-1406K	M14 x 1.5	14	14	10	3/8"	06	24	14	14
BM1-1606K	M16 x 1.5	16	16	10	3/8"	06	24	18	16
BM1-1806K	M18 x 1.5	18	18	10	3/8"	06	27.5	20	18
BM1-1808K	M18 x 1.5	18	18	12	1/2"	08	28.1	20	18
BM1-2210K	M22 x 1.5	22	22	16	5/8"	10	28	22	22
BM1-2612J	M 26 x 1.5	26	26	20	3/4"	12	38	29	26
BM1-3016J	M30 x 2	30	30	25	1"	16	46.1	37	30

BMB

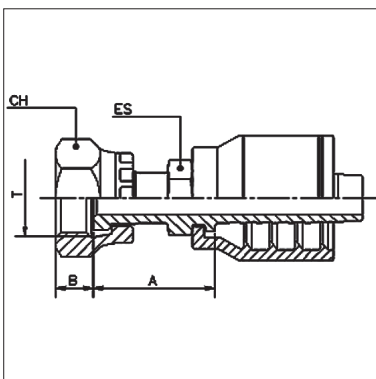
METRIC BANJO BOLT



Product Code	Bolt Thread		To Suit Hose Bore			Dimension (mm)				
	E	Size	DN	Inch	Size	A	B	C	S1	E
BMB-10	M10 x 1	10	05	3/16"	03	19	5	5	14	10
BMB-12	M12 x 1.5	12	06	1/4"	04	24	6	6	17	12
BMB-14	M14 x 1.5	14	10	3/8"	06	26	8	7	19	14
BMB-16	M16 x 1.5	16	10	3/8"	06	28	9	7.5	22	16
BMB-18	M18 x 1.5	18	10, 12	3/8", 1/2"	06, 08	32	11	8	24	18
BMB-22	M22 x 1.5	22	16	5/8"	10	39	14	9	27	22
BMB-26	M26 x 1.5	26	20	3/4"	12	45	18	10	32	26

MOF1

METRIC O-RING FACE SEAL FEMALE STRAIGHT
SUITS CHINESE EQUIPMENT

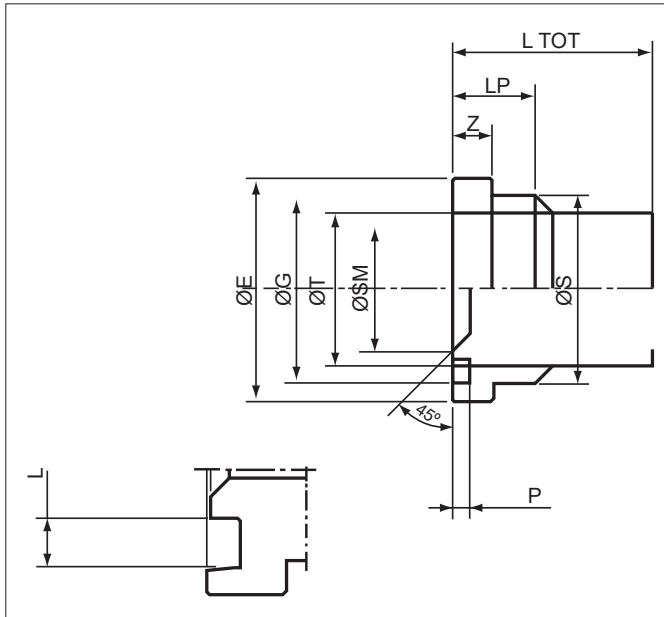


Product Code	Metric Thread		Hose Bore			Dimensions (mm)			
	Thread	Size	DN	Inch	Size	A	B	CH	ES
MOF1-1604K	M16 x 1.5	04	6	1/4"	04	na	na	19	-
MOF1-1804K	M18 x 1.5	04	6	1/4"	04	23	8.2	22	-
MOF1-1606K	M16 x 1.5	06	10	3/8"	06	18	8.2	19	-
MOF1-1806K	M18 x 1.5	06	10	3/8"	06	25	8.2	22	-
MOF1-2206K	M22 x 1.5	06	10	3/8"	06	27	10.4	27	-
MOF1-2408K	M24 x 1.5	08	12	1/2"	08	26	10.8	30	-

PIRTEK do not offer male hose tails or adapters to suit these fittings. The male fittings, when encountered in the field, differ in the manner of O-Ring retention from conventional American ORFS fittings. They feature a recessed circular flat area to retain the O-Ring rather than the more common groove as used in American fittings.

SAE FLANGES

ORIGIN: NORTH AMERICA



Nominal Groove and Flange Dimensions for the PIRTEK Range of SAE Code 61, Code 62 and "Supercat" Flanges

Note that manufacturing tolerances may apply. Refer to SAE J518 for comprehensive details.

Further technical details of O-Rings and Flange Clamps can be found in Section C (Adapters) of this Catalog

Note that the dimensions of "Supercat" Flanges are identical to those of Code 62 Flanges in all respects except Dimension Z.

The "Supercat" Flanges all have 14.2 mm as the Z Dimension.

Associated bolt dimensions are tabulated opposite.

SIZE	O-Ring Product Code	Clamp Product Code	CODE 61 DIMENSIONS							
			ØE	ØG	ØS	Z	LP	L	P	LTOT
08	Y-08	AZ3-08	30.18	25.46	24	6.73	13	4.2	2.86	Sufficient to allow bolt installation
12	Y-12	AZ3-12	38.10	31.80	32	6.73	14	4.2	2.86	
16	Y-16	AZ3-16	44.45	39.68	38	8.00	14	4.2	2.86	
20	Y-20	AZ3-20	50.80	44.51	43	8.00	14	4.2	2.86	
24	Y-24	AZ3-24	60.33	53.85	50	8.00	16	4.2	2.86	
32	Y-32	AZ3-32	71.42	63.37	62	9.53	16	4.2	2.86	
40	Y-40	AZ3-40	84.12	76.20	74	9.53	18	4.2	2.86	
48	Y-48	AZ3-48	101.60	91.92	90	9.53	19	4.2	2.86	

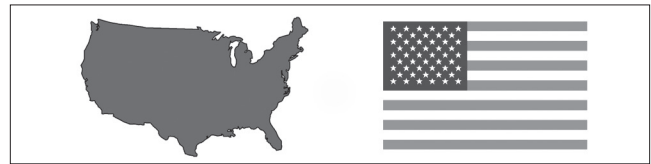
SIZE	O-Ring * Product Code	Clamp Product Code	CODE 62 DIMENSIONS							
			ØE	ØG	ØS	Z	LP	L	P	LTOT
08	Y-08	AZ6-08	31.75	25.46	24	7.75	14	4.2	2.86	Sufficient to allow bolt installation
12	Y-12	AZ6-12	41.28	31.80	32	8.76	18	4.2	2.86	
16	Y-16	AZ6-16	47.63	39.68	38	9.53	21	4.2	2.86	
20	Y-20	AZ6-20	53.98	44.51	44	10.29	25	4.2	2.86	
24	Y-24	AZ6-24	63.50	53.85	51	12.57	30	4.2	2.86	
32	Y-32	AZ6-32	79.38	63.37	67	12.57	38	4.2	2.86	

* OKS Series O-Rings provide superior performance to the Y Series O-Rings for more demanding applications often associated with Code 62 Flanges
See Catalog Section C page 84

SIZE	O-Ring Product Code	Clamp Product Code	STANDARD PRESSURE KOMATSU FLANGES DIMENSIONS							
			ØE	ØG	ØS	Z	LP	L	P	LTOT
10	Y-10	-	34.1					4.75	2.70	
12	KY-12	AZ3-12	38.0	31.07	31.80	6.70	14	4.75	2.70	65
16	KY-16	AZ3-16	44.5	38.07	38.00	8.00	14	4.75	2.70	65
20	KY-20	AZ3-20	50.8	44.07	43.00	8.00	14	4.75	2.70	71
24	KY-24	AZ3-24	60.3	54.10	50.20	8.00	16	4.75	2.70	83
32	KY-32	AZ3-32	71.4	65.10	62.00	9.50	22+	4.25	2.40	113

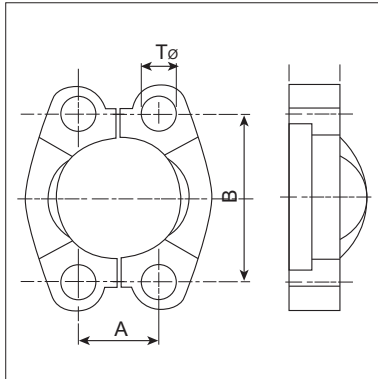
SAE FLANGES

ORIGIN: NORTH AMERICA



AZ3

SAE CODE 61
SPLIT FLANGE CLAMPS

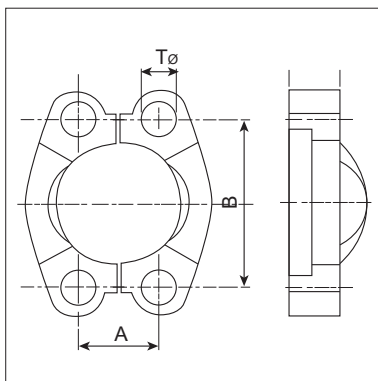


Product Code	Clamp			Dimensions (mm)			Associated Bolt Details			
							UNC Bolts		Metric Bolts	
	DN	Inch	Size	Tø	A	B	Thread	Length	Thread	Length
AZ3-08	12	08	1/2"	9	17.48	38.10	5/16"-18	1 1/4"	M8 x 1.25	35
AZ3-10 *	20	12	5/8"	11	22.26	47.63	5/16"-18	1 1/4"	M8 x 1.25	35
AZ3-12	20	12	3/4"	11	22.26	47.63	3/8"-16	1 1/4"	M10 x 1.5	35
AZ3-16	25	16	1"	11	26.16	52.37	3/8"-16	1 1/4"	M10 x 1.5	35
AZ3-20	32	20	1.1/4"	11	30.18	58.72	7/16"-14	1 1/2"	M10 x 1.5	40
AZ3-24	38	24	1.1/2"	13.5	35.72	69.85	1/2"-13	1 1/2"	M12 x 1.75	45
AZ3-32	50	32	2"	13.5	42.88	77.77	1/2"-13	1 1/2"	M12 x 1.75	45
AZ3-40	62	40	2.1/2"	13.5	50.80	88.90	1/2"-13	1 3/4"	M12 x 1.75	45
AZ3-48	75	48	3"	16.66	61.92	106.38	5/8"-11	1 3/4"	M16 x 2	45

* JIS size 10 is used only by Komatsu®. This size clamp is not available from PIRTEK.
 Komatsu® Flanges differ from Code 61 Flanges by their use of metric O-Rings instead of Imperial O-Rings, but are in all other respects identical.
 Never use Imperial O-Rings (Y or OKS) in Komatsu® flanges - only KY series

AZ6

SAE CODE 62
SPLIT FLANGE CLAMPS

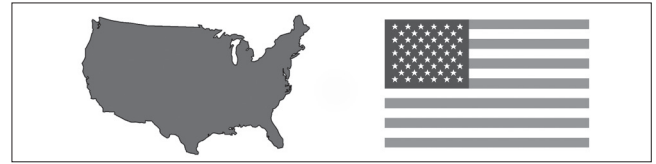


Product Code	Clamp			Dimensions (mm)			Associated Bolt Details					
							UNC Bolts			Metric Bolts		
	DN	Inch	Size	Tø	A	B	Thread	Length Code 62	Supercat	Thread	Length Code 62	Supercat
AZ6-08	12	08	1/2"	9	18.25	40.49	5/16"-18	1 1/4"	-	M8 x 1.25	35	-
AZ6-12	20	12	3/4"	11	23.82	50.80	3/8"-16	1 1/2"	1 3/4"	M10 x 1.5	40	45
AZ6-16	25	16	1"	13	27.78	57.15	7/16"-14	1 3/4"	1 3/4"	M12 x 1.75	45	45
AZ6-20M	32	20	1.1/4"	15	31.76	66.68	-	-	-	M14 x 2	45	50
AZ6-20S	32	20	1.1/4"	13.5	31.76	66.68	1/2"-13	1 3/4"	2"	-	-	-
AZ6-24	38	24	1.1/2"	17	36.52	79.38	5/8"-11	2 1/4"	2 1/2"	M16 x 2	60	60
AZ6-32	50	32	2"	21	44.46	96.82	3/4"-10	2 3/4"	-	M20 x 2.5	70	-

Supercat Flange Clamps (not available from PIRTEK) use the same bolt spacings as Code 62 but the bolts are generally longer to accommodate the 14.2 mm flange thickness

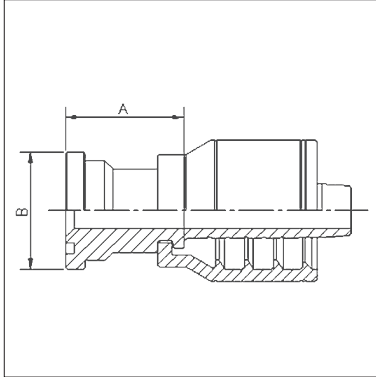
SAE FLANGES

ORIGIN: NORTH AMERICA



C611 / C611L

3000 PSI CODE 61 STRAIGHT STANDARD & LONG FLANGE

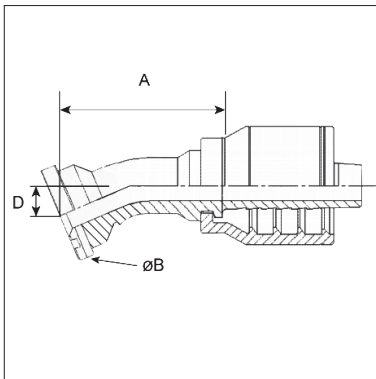


Product Code	Flange			Hose Bore			Dimensions (mm)		
	Bore	Size	ø ins.	DN	Inch	Size	A	øB	L
C611-0808K	1/2"	08	1.3/16"	12	1/2"	08	38	30.2	-
C611-1208K	3/4"	12	1.1/2"	12	1/2"	08	39	38.1	-
C611-1010K *	5/8"	10	1.3/8"	16	5/8"	10	39	34.1	-
C611-1212J †	3/4"	12	1.1/2"	20	3/4"	12	41	38.1	-
C611-1612J	1"	16	1.3/4"	20	3/4"	12	47.4	44.5	-
C611-1616J †	1"	16	1.3/4"	25	1"	16	48.5	44.5	-
C611-2016J	1.1/4"	20	2"	25	1"	16	49.6	50.8	-
C611-1620J	1"	16	1.3/4"	32	1.1/4"	20	51.4	44.5	-
C611-2020J †	1.1/4"	20	2"	32	1.1/4"	20	51.4	50.8	-
C611L-2020J-057	1.1/4"	20	2"	32	1.1/4"	20	66.9	50.8	57
C611-2420J	1.1/2"	24	2.3/8"	32	1.1/4"	20	54.9	60.3	-
C611-2424J †	1.1/2"	24	2.3/8"	38	1.1/2"	24	53	60.3	-
C611-3224J	2"	32	2.13/16"	38	1.1/2"	24	74.5	71.4	-
C611-3232J †	2"	32	2.13/16"	50	2"	32	76.2	71.4	-
C611-4032J	2.1/2"	40	3.5/16"	50	2"	32	-	84.1	-
C611-4040J	2.1/2"	40	3.5/16"	62	2.1/2"	40	-	84.1	-
C611-4840J	3"	48	4"	62	2.1/2"	40	-	101.6	-
C611-4848J	3"	48	4"	80	3"	48	-	101.6	-

* Unique to Komatsu † Also in Stainless Steel, Product Code Example C611SS-1212J

C612 / C613

3000 PSI CODE 61
22° & 30° ELBOW FLANGE

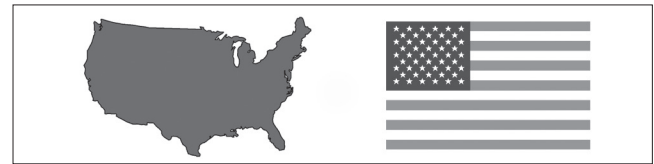


Product Code	Flange			Hose Bore			Dimensions (mm)		
	Bore	Size	ø ins.	DN	Inch	Size	A	øB	D
22° ELBOW FLANGES									
C612-1212J	3/4"	12	1.1/2"	20	3/4"	12	68.7	38.1	11.8
C612-1612J	1"	16	1.3/4"	20	3/4"	12	67.3	44.5	13
C612-1616J	1"	16	1.3/4"	25	1"	16	73	44.5	11.5
C612-2016J	1.1/4"	20	2"	25	1"	16	75.5	50.8	12.5
C612-2020J	1.1/4"	20	2"	32	1.1/4"	20	81.5	50.8	13.5
C612-2420J	1.1/2"	24	2.3/8"	32	1.1/4"	20	86	60.3	13.5
C612-2424J	1.1/2"	24	2.3/8"	38	1.1/2"	24	99	60.3	16
C612-3224J	2"	32	2.13/16"	38	1.1/2"	24	99	71.4	15.5
C612-3232J	2"	32	2.13/16"	50	2"	32	131	71.4	23
C612-4040J	2.1/2"	40	3.5/16"	62	2.1/2"	40	-	84.1	-
30° ELBOW FLANGES									
C613-1212J	3/4"	12	1.1/2"	20	3/4"	12	69.2	38.1	16.6
C613-1612J	1"	16	1.3/4"	20	3/4"	12	68.7	44.5	18
C613-1616J	1"	16	1.3/4"	25	1"	16	78	44.5	16.5
C613-2016J	1.1/4"	20	2"	25	1"	16	74	50.8	18
C613-2020J	1.1/4"	20	2"	32	1.1/4"	20	84	50.8	19
C613-2420J	1.1/2"	24	2.3/8"	32	1.1/4"	20	90	60.3	19
C613-2424J	1.1/2"	24	2.3/8"	38	1.1/2"	24	103	60.3	22.5
C613-3224J	2"	32	2.13/16"	38	1.1/2"	24	103	71.4	22.5
C613-3232J	2"	32	2.13/16"	50	2"	32	138	71.4	32
C613-4040J	2.1/2"	40	3.5/16"	62	2.1/2"	40	-	84.1	-
C613-4848J	3"	48	4"	80	3"	48	-	101.6	-

This page is part of a complete catalog containing technical and safety data.
All data must be reviewed when selecting a product.
PIRTEK reserves the right to change technical specifications without notice.

SAE FLANGES

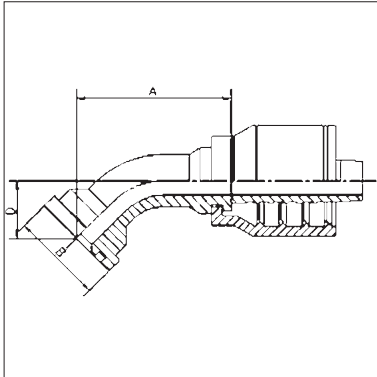
ORIGIN: NORTH AMERICA



K, J SERIES

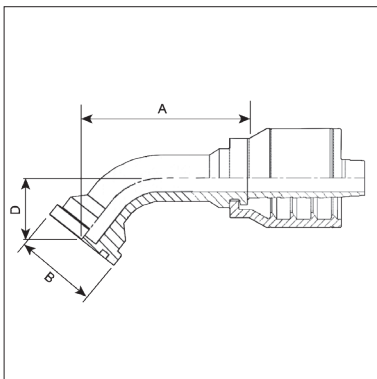
C614

3000 PSI CODE 61
45° ELBOW FLANGE



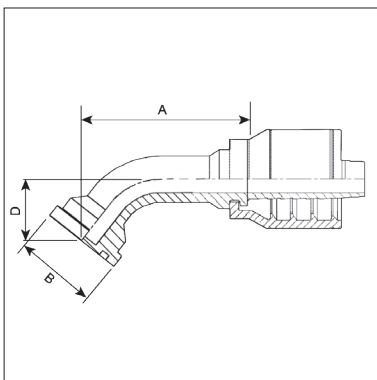
C616

3000 PSI CODE 61
60° ELBOW FLANGE



C617

3000 PSI CODE 61
67° ELBOW FLANGE



Product Code	Flange			Hose Bore			Dimensions (mm)		
	Bore	Size	ø ins.	DN	Inch	Size	A	øB	D
C614-0808K	1/2"	08	1.3/16"	12	1/2"	08	55.2	30	22.6
C614-1208K	3/4"	12	1.1/2"	12	1/2"	08	60.5	38.1	26
C614-1010K *	5/8"	10	1.3/8"	16	5/8"	10	66	34.1	26.7
C614-1212J	3/4"	12	1.1/2"	20	3/4"	12	70	38.1	26.7
C614-1612J	1"	16	1.3/4"	20	3/4"	12	73	44.5	28.8
C614-1616J	1"	16	1.3/4"	25	1"	16	75.5	44.5	27
C614-2016J	1.1/4"	20	2"	25	1"	16	77.3	50.8	29
C614-1620J	1"	16	1.3/4"	32	1.1/4"	20	115.5	44.5	43.5
C614-2020J	1.1/4"	20	2"	32	1.1/4"	20	89	50.8	31
C614-2420J	1.1/2"	24	2.3/8"	32	1.1/4"	20	91.8	60.3	31
C614-2424J	1.1/2"	24	2.3/8"	38	1.1/2"	24	100	60.3	36.5
C614-3224J	2"	32	2.13/16"	38	1.1/2"	24	105	71.4	36.5
C614-3232J	2"	32	2.13/16"	50	2"	32	140	71.4	53
C614-4040J	2.1/2"	40	3.5/16"	62	2.1/2"	40	-	84.1	-
C614-4840J	3"	48	4"	62	2.1/2"	40	-	101.6	-
C611-4848J	3"	48	4"	80	3"	48	-	101.6	-

* Unique to Komatsu

Product Code	Flange			Hose Bore			Dimensions (mm)		
	Bore	Size	ø ins.	DN	Inch	Size	A	øB	D
C616-1212J	3/4"	12	1.1/2"	20	3/4"	12	68.9	38.1	37.2
C616-1612J	1"	16	1.3/4"	20	3/4"	12	71.2	44.5	39.8
C616-1616J	1"	16	1.3/4"	25	1"	16	82	44.5	40
C616-2016J	1.1/4"	20	2"	25	1"	16	85	50.8	40
C616-2020J	1.1/4"	20	2"	32	1.1/4"	20	97.8	50.8	44
C616-2420J	1.1/2"	24	2.3/8"	32	1.1/4"	20	97.8	60.3	44
C616-2424J	1.1/2"	24	2.3/8"	38	1.1/2"	24	114	60.3	52
C616-3224J	2"	32	2.13/16"	38	1.1/2"	24	112	71.4	55.5
C616-3232J	2"	32	2.13/16"	50	2"	32	155	71.4	76
C616-4040J	2.1/2"	40	3.5/16"	38	2.1/2"	40	-	84.1	-
C616-4848J	3"	48	4"	80	3"	48	-	101.6	-

Product Code	Flange			Hose Bore			Dimensions (mm)		
	Bore	Size	ø ins.	DN	Inch	Size	A	øB	D
C617-1212J	3/4"	12	1.1/2"	20	3/4"	12	67.1	38.1	42.4
C617-1612J	1"	16	1.3/4"	20	3/4"	12	71.7	44.5	45.2
C617-1616J	1"	16	1.3/4"	25	1"	16	77	44.5	46
C617-2016J	1.1/4"	20	2"	25	1"	16	82	50.8	46
C617-2020J	1.1/4"	20	2"	32	1.1/4"	20	85.6	50.8	50
C617-2420J	1.1/2"	24	2.3/8"	32	1.1/4"	20	95.6	60.3	50
C617-2424J	1.1/2"	24	2.3/8"	38	1.1/2"	24	108.5	60.3	59.5
C617-3224J	2"	32	2.13/16"	38	1.1/2"	24	111	71.4	63
C617-3232J	2"	32	2.13/16"	50	2"	32	153	71.4	87.5

This page is part of a complete catalog containing technical and safety data.
All data must be reviewed when selecting a product.
PIRTEK reserves the right to change technical specifications without notice.



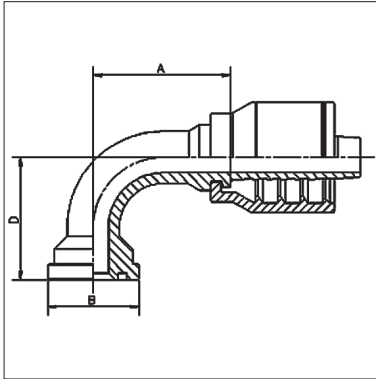
CODE 61 SAE FLANGE

SAE FLANGES

ORIGIN: NORTH AMERICA



C619 / C619L

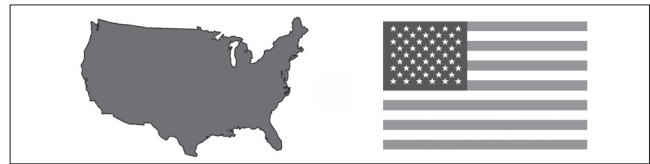
3000 PSI CODE 61 90° FLANGED ELBOW
STANDARD & LONG DROP ELBOWS

Product Code	Flange			Hose Bore			Dimensions (mm)		
	Bore	Size	ø ins.	DN	Inch	Size	A	øB	D
STANDARD DROP ELBOWS									
C619-0808K	1/2"	08	1.3/16"	12	1/2"	08	50	30	45
C619-1208K	3/4"	12	1.1/2"	12	1/2"	08	49.5	38	49
C619-1010K *	5/8"	10	1.3/8"	16	5/8"	10	55.5	34.1	55
C619-1212J †	3/4"	12	1.1/2"	20	3/4"	12	63.7	38	56.5
C619-1612J †	1"	16	1.3/4"	20	3/4"	12	62.7	44.5	59.5
C619-1616J †	1"	16	1.3/4"	25	1"	16	71	44.5	61
C619-1620J	1"	16	1.3/4"	32	1.1/4"	20	104	44.5	93
C619-2016J †	1.1/4"	20	2"	25	1"	16	71	50.8	61
C619-2020J †	1.1/4"	20	2"	32	1.1/4"	20	87	50.8	69.2
C619-2420J	1.1/2"	24	2.3/8"	32	1.1/4"	20	87	60.3	69.2
C619-2424J †	1.1/2"	24	2.3/8"	38	1.1/2"	24	104	60.3	81
C619-3224J	2"	32	2.13/16"	38	1.1/2"	24	102	71.4	85
C619-3232J †	2"	32	2.13/16"	50	2"	32	130	71.4	123
C619-4032J	2.1/2"	40	3.5/16"	50	2"	32	142	84.1	132
C619-4040J	2.1/2"	40	3.5/16"	62	2.1/2"	40	117	84.1	118
C619-4840J	3"	48	4"	62	2.1/2"	40	136.2	101.6	125
C619-4848J	3"	48	4"	80	3"	48	153	101.6	145
LONG DROP ELBOWS									
C619L-1212J-100	3/4"	12	1.1/2"	20	3/4"	12		38	100
C619L-1212J-125	3/4"	12	1.1/2"	20	3/4"	12	63.7	38	125
C619L-1616J-120	1"	16	1.3/4"	25	1"	16	76	44.5	120
C619L-2016J-120	1.1/4"	20	2"	25	1"	16	75	50.8	120
C619L-2020J-100	1.1/4"	20	2"	32	1.1/4"	20	-	50.8	100
C619L-2020J-120	1.1/4"	20	2"	32	1.1/4"	20	-	50.8	120
C619L-2020J-130	1.1/4"	20	2"	32	1.1/4"	20	-	50.8	130
C619L-2020J-170	1.1/4"	20	2"	32	1.1/4"	20	87	50.8	170
C619L-2416J-107	1.1/2"	24	2.3/8"	25	1"	16	-	60.3	107
C619L-2420J-117	1.1/2"	24	2.3/8"	32	1.1/4"	20	-	60.3	117
C619L-2420J-130	1.1/2"	24	2.3/8"	32	1.1/4"	20	-	60.3	130
C619L-2424J-150	1.1/2"	24	2.3/8"	38	1.1/2"	24	104	60.3	150
C619L-2424J-170	1.1/2"	24	2.3/8"	38	1.1/2"	24	-	60.3	170
C619L-2424J-200	1.1/2"	24	2.3/8"	38	1.1/2"	24	104	60.3	200
C619L-3224J-114	2"	32	2.13/16"	38	1.1/2"	24	-	71.4	114
C619L-3224J-171	2"	32	2.13/16"	38	1.1/2"	24	-	71.4	171
C619L-3232J-165	2"	32	2.13/16"	50	2"	32	-	71.4	165
C619L-3232J-203	2"	32	2.13/16"	50	2"	32	132.3	71.4	203

* Unique to Komatsu † Also in Stainless Steel, Product Code Example C619SS-1212J

SAE FLANGES

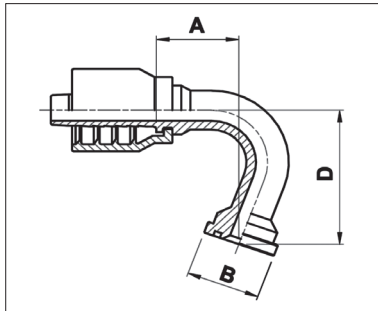
ORIGIN: NORTH AMERICA



C6111 / C6111L

3000 PSI CODE 61

110° ELBOW FLANGE & LONG DROP 110° ELBOW FLANGE

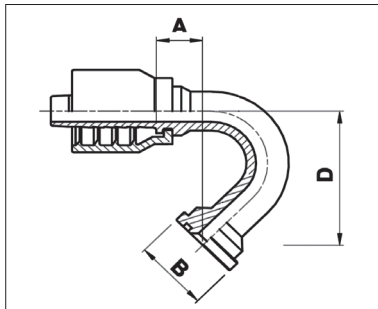


Product Code	Flange			Hose Bore			Dimensions (mm)		
	Bore	Size	ø ins.	DN	Inch	Size	A	øB	D
C6111-1616J	1"	16	1.3/4"	25	1"	16	84.7	44.5	78
C6111-2016J	1 1/4"	20	2"	25	1"	16	76	50.8	81.5
C6111-2020J	1.1/4"	20	2"	32	1.1/4"	20	76	50.8	81.5
C6111-2420J	1.1/2"	24	2.3/8"	32	1.1/4"	20	76	60.3	81.5
C6111-2424J	1.1/2"	24	2.3/8"	38	1.1/2"	24	90	60.3	96.5
C6111-3232J	2"	32	2.13/16"	50	2"	32	116.5	71.4	145
LONG DROP ELBOWS									
C6111L-2016J-133	1.1/4"	20	2"	25	1"	16	42.3	50.8	133
C6111L-2424J-118	1.1/2"	24	2.3/8"	38	1.1/2"	24	82.5	60.3	118

C6113

3000 PSI CODE 61

135° ELBOW FLANGE



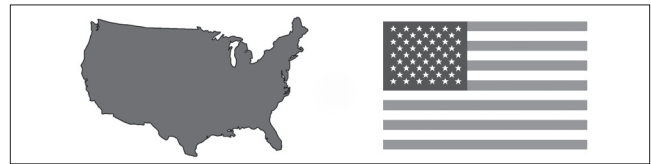
Product Code	Flange			Hose Bore			Dimensions (mm)		
	Bore	Size	ø ins.	DN	Inch	Size	A	øB	D
C6113-1212J	3/4"	12	1.1/2"	20	3/4"	12	35.5	38	72
C6113-1616J	1"	16	1.3/4"	25	1"	16	73.7	44.5	87.3



This page is part of a complete catalog containing technical and safety data.
All data must be reviewed when selecting a product.
PIRTEK reserves the right to change technical specifications without notice.

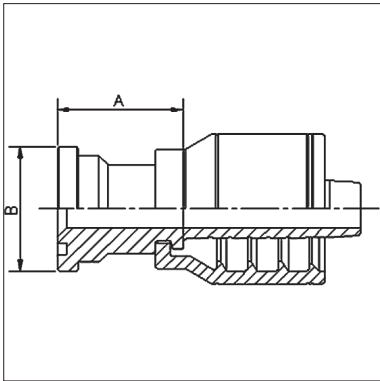
SAE FLANGES

ORIGIN: NORTH AMERICA



C621

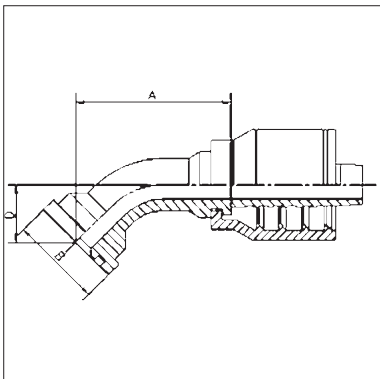
6000 PSI CODE 62
STRAIGHT FLANGE



Product Code	Flange			Hose Bore			Dimensions (mm)		
	Bore	Size	ø ins.	DN	Inch	Size	A	øB	
C621-1212J	3/4"	12	1.5/8"	20	3/4"	12	45	41.3	
C621-1612J	1"	16	1.7/8"	20	3/4"	12	60.5	47.6	
C621-1616J	1"	16	1.7/8"	25	1"	16	65.5	47.6	
C621-2016J	1.1/4"	20	2.1/8"	25	1"	16	70.1	54	

C624

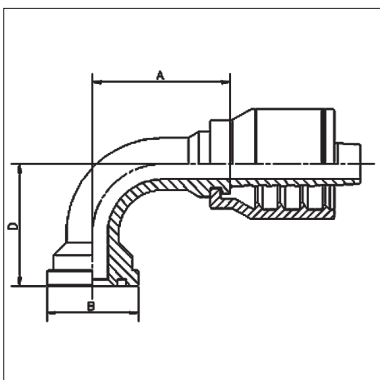
6000 PSI CODE 62
45° ELBOW FLANGE



Product Code	Flange			Hose Bore			Dimensions (mm)		
	Bore	Size	ø ins.	DN	Inch	Size	A	øB	D
C624-1212J	3/4"	12	1.5/8"	20	3/4"	12	73	41.3	29.5
C624-1612J	1"	16	1.7/8"	20	3/4"	12	77.2	47.6	34
C624-1616J	1"	16	1.7/8"	25	1"	16	83	47.6	31
C624-2016J	1.1/4"	20	2.1/8"	25	1"	16	96	54	39

C629

6000 PSI CODE 62
90° ELBOW FLANGE



Product Code	Flange			Hose Bore			Dimensions (mm)		
	Bore	Size	ø ins.	DN	Inch	Size	A	øB	D
C629-1212J	3/4"	12	1.5/8"	20	3/4"	12	63.7	41.3	60.5
C629-1612J	1"	16	1.7/8"	20	3/4"	12	62.7	47.6	65
C629-1616J	1"	16	1.7/8"	25	1"	16	77	47.6	66
C629-2016J	1.1/4"	20	2.1/8"	25	1"	16	80	54	79.5

JAPANESE FITTINGS

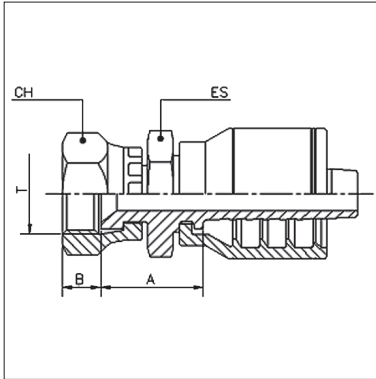
ORIGIN: JAPAN



JBF1

JIS BSPP

FEMALE STRAIGHT (MITSUBISHI)

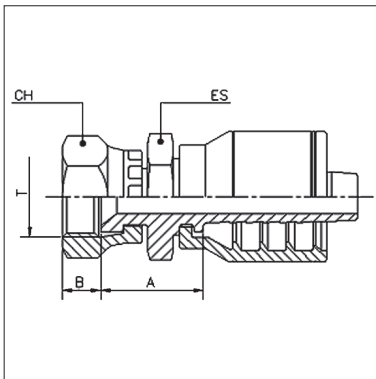


Product Code	Thread			Hose Bore			Dimensions (mm)			
	BSPP	Size	Pipe	DN	Inch	Size	A	B	CH	ES
JBF1-0404K	1/4" - 19	04	1/4"	06	1/4"	04	21	8	19	19
JBF1-0606K	3/8" - 19	06	3/8"	10	3/8"	06	22	9.5	22	19
JBF1-0808K	1/2" - 14	08	1/2"	12	1/2"	08	24.9	11	27	22
JBF1-1212J	3/4" - 14	12	3/4"	20	3/4"	12	29.5	12.5	32	30
JBF1-1616J	1" - 11	16	1"	25	1"	16	34.1	14	38	32

JMF1

JIS METRIC

FEMALE STRAIGHT (KOMATSU)



Product Code	Thread			Hose Bore			Dimensions (mm)			
	Metric	Size	Pipe	DN	Inch	Size	A	B	CH	ES
JMF1-1204K	M12 x 1.5	12	12	06	1/4"	04	22.5	8.7	17	14
JMF1-1404K	M14 x 1.5	14	14	06	1/4"	04	24	10	19	19
JMF1-1406K	M14 x 1.5	14	14	10	3/8"	06	25	10	19	19
JMF1-1606K	M16 x 1.5	16	16	10	3/8"	06	23.2	9.3	22	19
JMF1-1806K	M18 x 1.5	18	18	10	3/8"	08	24	11.5	24	19
JMF1-2006K	M20 x 1.5	20	20	10	3/8"	06	25.3	11.2	27	19
JMF1-2206K	M22 x 1.5	22	22	10	3/8"	06	25.5	14	27	19
JMF1-2208K	M22 x 1.5	22	22	12	1/2"	08	27	14	27	22
JMF1-2408K	M24 x 1.5	24	24	12	1/2"	08	28.4	15.1	32	24
JMF1-2410K	M24 x 1.5	24	24	16	5/8"	10	28.4	15.1	32	24
JMF1-2412J	M24 x 1.5	24	24	20	3/4"	12	32.4	15.1	32	27
JMF1-3012J	M30 x 1.5	30	30	20	3/4"	12	34.7	18.3	36	30
JMF1-3312J	M33 x 1.5	33	33	20	3/4"	12	33.7	21.3	41	32
JMF1-3612J	M36 x 1.5	36	36	20	3/4"	12	34.7	20	46	41
JMF1-3316J	M33 x 1.5	33	33	25	1"	16	35.8	21.3	41	32
JMF1-3616J	M36 x 1.5	36	36	25	1"	16	37.3	20	46	41
JMF1-4220J	M42 x 1.5	42	42	32	1.1/4"	20	46	18.8	55	50

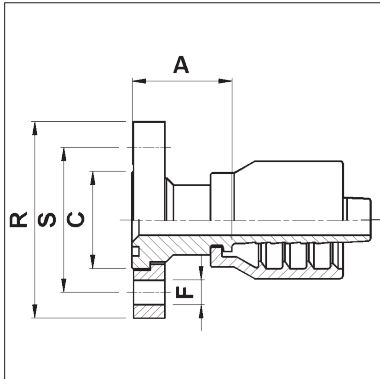
JAPANESE FITTINGS

ORIGIN: JAPAN



KC6112BF

KOMATSU LOW PRESSURE (80 BAR)
STRAIGHT FLANGE WITH 2 BOLT CLAMP

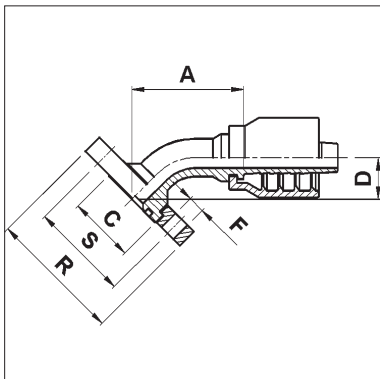


Product Code	Flange			Hose Bore			Dimensions (mm)				
	Bore	Size	ø ins.	DN	Inch	Size	A	R	S	C	F
KC6112BF-1616J	1"	16	1.3/4"	25	1"	16	74.1	88	65	44.5	11
KC6112BF-2020J	1.1/4"	20	2"	32	1.1/4"	20	82.9	102	75	50.8	13.5
KC6112BF-2424J	1.1/2"	24	2.3/8"	38	1.1/2"	24	91	111	85	60.3	13.5

KOM identifier can vary between flange head and stem. Flange heads incorporate metric O-Ring dimensions
See page 28

KC6142BF

KOMATSU LOW PRESSURE (80 BAR)
45° ELBOW FLANGE WITH 2 BOLT CLAMP

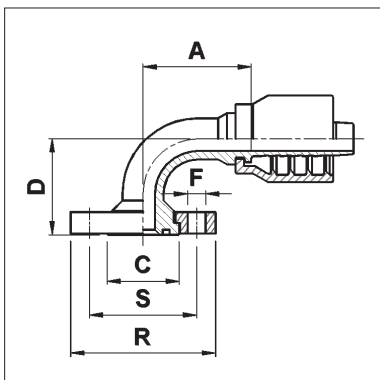


Product Code	Flange			Hose Bore			Dimensions (mm)					
	Bore	Size	ø ins.	DN	Inch	Size	A	R	S	C	F	D
KC6142BF-1616J	1"	16	1.3/4"	25	1"	16	84.1	88	65	44.5	11	30
KC6142BF-2020J	1.1/4"	20	2"	32	1.1/4"	20	107.9	102	75	50.8	13.5	32
KC6142BF-2424J	1.1/2"	24	2.3/8"	38	1.1/2"	24	105	111	85	60.3	13.5	38

KOM identifier can vary between flange head and stem. Flange heads incorporate metric O-Ring dimensions
See page 28

KC6192BF

KOMATSU LOW PRESSURE (80 BAR)
90° ELBOW FLANGE WITH 2 BOLT CLAMP



Product Code	Flange			Hose Bore			Dimensions (mm)					
	Bore	Size	ø ins.	DN	Inch	Size	A	R	S	C	F	D
KC6192BF-1616J	1"	16	1.3/4"	25	1"	16	79.1	88	65	44.5	11	70
KC6192BF-2020J	1.1/4"	20	2"	32	1.1/4"	20	102.9	102	75	50.8	13.5	80
KC6192BF-2424J	1.1/2"	24	2.3/8"	38	1.1/2"	24	118	111	85	60.3	13.5	110

KOM identifier can vary between flange head and stem. Flange heads incorporate metric O-Ring dimensions
See page 28

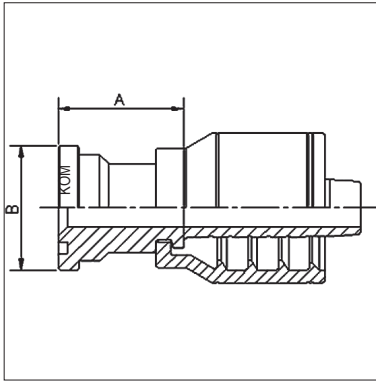
JAPANESE FITTINGS

ORIGIN: JAPAN



KC611

KOMATSU STANDARD PRESSURE (210 BAR)
STRAIGHT FLANGE



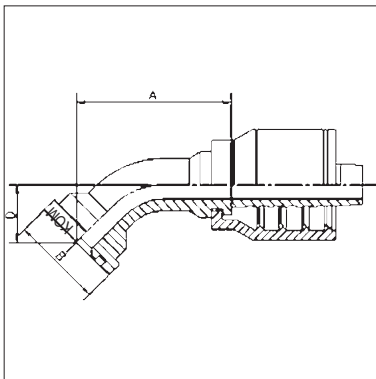
Product Code	Flange			Hose Bore			Dimensions (mm)	
	Bore	Size	ø ins.	DN	Inch	Size	A	ø B
C611-1010K	5/8"	10	1.3/8"	16	5/8"	10	39	34.1
KC611-1212J	3/4"	12	1.1/2"	20	3/4"	12	72	38
KC611-1612J	1"	16	1.3/4"	20	3/4"	12	71	44.45
KC611-1616J	1"	16	1.3/4"	25	1"	16	74.1	44.45
KC611-2016J	1.1/4"	20	2"	25	1"	16	81.1	50.8
KC611-2020J	1.1/4"	20	2"	32	1.1/4"	20	82.9	50.8
KC611-2424J	1.1/2"	24	2.3/8"	38	1.1/2"	24	91	60.3
KC611-3232J	2"	32	2.13/32"	50	2"	32	122.7	71.4

KOM identifier can vary between flange head and stem. Flange heads incorporate metric O-Ring dimensions.

See page 28

KC614

KOMATSU STANDARD PRESSURE (210 BAR)
45° ELBOW FLANGE



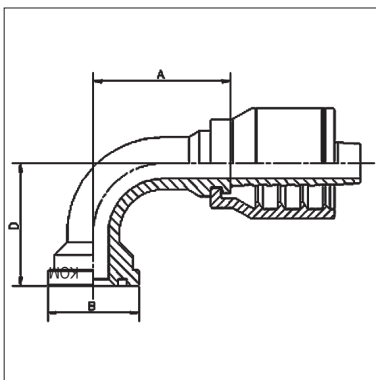
Product Code	Flange			Hose Bore			Dimensions (mm)		
	Bore	Size	ø ins.	DN	Inch	Size	A	ø B	D
C614-1010K	5/8"	10	1.11/32"	16	5/8"	10	66	34.1	26
KC614-1212J	3/4"	12	1.1/2"	20	3/4"	12	70	38	26
KC614-1612J	1"	16	1.3/4"	20	3/4"	12	73	44.5	31
KC614-1616J	1"	16	1.3/4"	25	1"	16	84.1	44.5	30
KC614-2016J	1.1/4"	20	2"	25	1"	16	87.1	50.8	28
KC614-2020J	1.1/4"	20	2"	32	1.1/4"	20	107.9	50.8	32
KC614-2424J	1.1/2"	24	2.3/8"	38	1.1/2"	24	105	60.3	38
KC614-3232J	2"	32	2.13/32"	50	2"	32	161.7	71.4	54

KOM identifier can vary between flange head and stem. Flange heads incorporate metric O-Ring dimensions.

See page 28

KC619

KOMATSU STANDARD PRESSURE (210 BAR)
90° ELBOW FLANGE



Product Code	Flange			Hose Bore			Dimensions (mm)		
	Bore	Size	ø ins.	DN	Inch	Size	A	ø B	D
C619-1010K	5/8"	10	1.3/8"	16	5/8"	5/8"	55.5	34.1	55
KC619-1212J	3/4"	12	1.1/2"	20	3/4"	3/4"	64	38	55
KC619-1612J	1"	16	1.3/4"	20	3/4"	3/4"	78	44.45	61
KC619-1616J	1"	16	1.3/4"	25	1"	1"	79.1	44.45	70
KC619-2020J	1.1/4"	20	2"	32	1.1/4"	1.1/4"	102.9	50.8	80
KC619-2424J	1.1/2"	24	2.3/8"	38	1.1/2"	1.1/2"	118	60.3	110
KC619-3232J	2"	32	2.13/32"	50	2"	2"	151.7	71.4	140

KOM identifier can vary between flange head and stem. Flange heads incorporate metric O-Ring dimensions.

See page 28

This page is part of a complete catalog containing technical and safety data.

All data must be reviewed when selecting a product.

PIRTEK reserves the right to change technical specifications without notice.

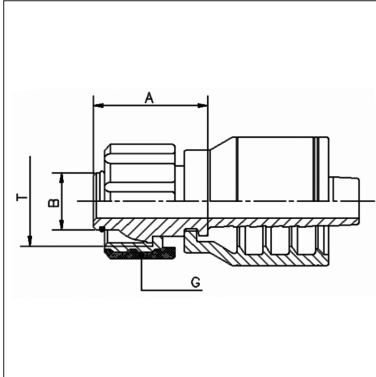
MISCELLANEOUS FITTINGS

PRESSURE WASHER AND WELD ON



KT1

KÄRCHER® STRAIGHT HOSE TAIL
COMPLETE WITH NUT



Product Code	Flange			Hose Bore			Dimensions (mm)			
	Bore	Size	ø ins.	DN	Inch	Size	A	B	G	
KT1-2204K	M22 x 1.5	22	14	06	1/4"	4	31	14	36	
KT1-2205K	M22 x 1.5	22	14	08	5/16"	5	31	14	36	
KT1-2206K	M22 x 1.5	22	14	10	3/8"	6	31	14	36	

KG

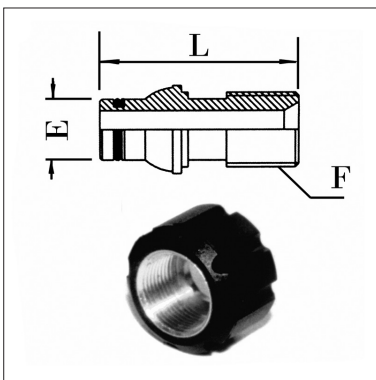
PRESSURE WASH BEND RESTRICTOR



Product Code	Hose Bore			Description
	DN	Inch	Size	
KG-04	6	1/4"	04	Black Anti Kink Hand Grip to suit PW3600-04 hose
KG-06	10	3/8"	06	Blue Anti Kink Hand Grip to suit PW4500-06 hose

KB (SUPERSEDED)

KÄRCHER® x BSPP ADAPTER INSERT
SEE SECTION P ACCESSORIES IPW-26



Product Code	Description	Nut Thread			Insert			Dimensions (mm)		
		Metric	Size	ø ins.	BSPP	Inch	Size	E	F	L
KB-22-06	Insert				3/8" - 19	06	3/8"	14	16.7	52
KN-22	Nut	M22 - 1.5	22	14						

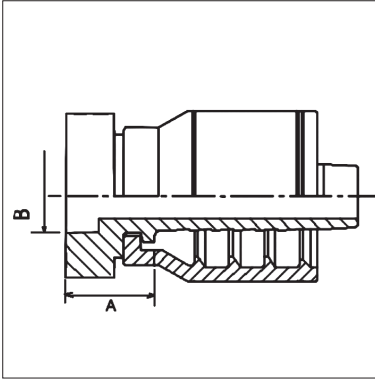
MISCELLANEOUS FITTINGS

PRESSURE WASHER AND WELD ON



WO1

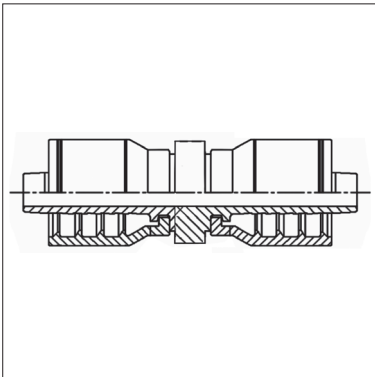
WELD ON STRAIGHT TAIL
(LIFESAVER)



Product Code	Flange			Hose Bore			Dimensions (mm)	
	Bore	Size	ø ins.	DN	Inch	Size	A	ø B
WO1-0404K	04	04	1/4"	06	1/4"	04	14.5	6.5
WO1-0606K	06	06	3/8"	10	3/8"	06	10.5	9.55
WO1-0808K	08	08	1/2"	12	1/2"	08	17	12.85
WO1-1010K	10	10	5/8"	16	5/8"	10	17	16
WO1-1212J	12	12	3/4"	20	3/4"	12	20	19.2
WO1-1616J	16	16	1"	25	1"	16	24.1	25.6

HJ1

HOSE JOINER
CRIMP STYLE



Product Code	Hose Tail			Hose Tail			Dimensions (mm)		
	DN	Inch	Size	DN	Inch	Size	A	L	d
HJ1-0404K	06	1/4"	04	06	1/4"	04	8.4	48	4.3
HJ1-0505K	08	5/16"	05	08	5/16"	05	-	-	-
HJ1-0606K	10	3/8"	06	10	3/8"	06	8.4	52.4	7.6
HJ1-0808K	12	1/2"	08	12	1/2"	08	8.4	61	9.9
HJ1-1010K	16	5/8"	10	16	5/8"	10	9.4	88	12.2
HJ1-1212J	20	3/4"	12	20	3/4"	12	10	87.2	15.5
HJ1-1616J	25	1"	16	25	1"	16	22	124.8	19.8

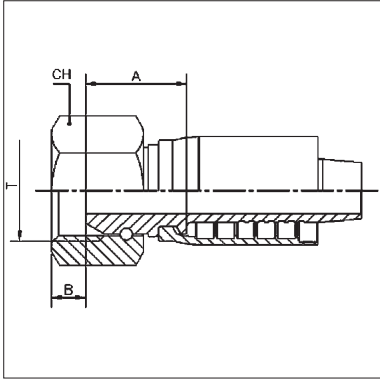
BSP FITTINGS

ORIGIN: GREAT BRITAIN



BF1

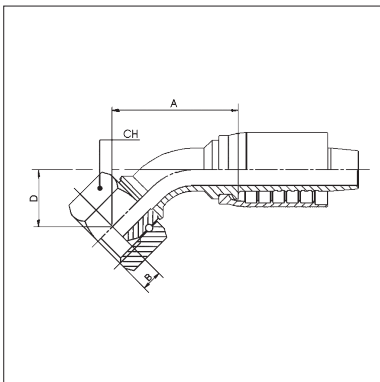
BSPP FEMALE STRAIGHT



Product Code	BSPP Thread		Nominal ID			Dimensions mm		
	T	Size	Dash	Inch	DN	A	B	CH
BF1-2020H	1.1/4" - 11	20	32	1.1/4"	20	37.8	10	50
BF1-2424H	1.1/2" - 11	24	38	1.1/2"	24	38.3	12	55
BF1-3232H	2" - 11	32	50	2"	32	40.6	16	70

BF4

BSPP FEMALE 45° ELBOW



Product Code	BSPP Thread		Nominal ID			Dimensions mm			
	T	Size	Dash	Inch	DN	A	B	CH	D
BF4-2020H	1.1/4" - 11	20	32	1.1/4"	20	106.4	10	50	37.7
BF4-2424H	1.1/2" - 11	24	38	1.1/2"	24	162	12	55	51
BF4-3232H	2" - 11	32	50	2"	32	197	16	70	65.5

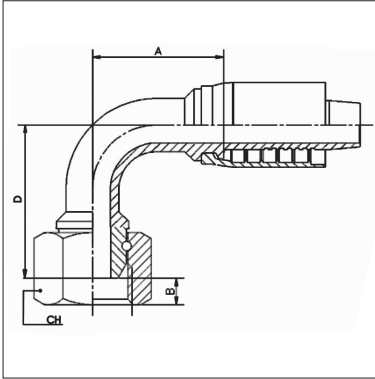
BSP FITTINGS

ORIGIN: GREAT BRITAIN



BF9

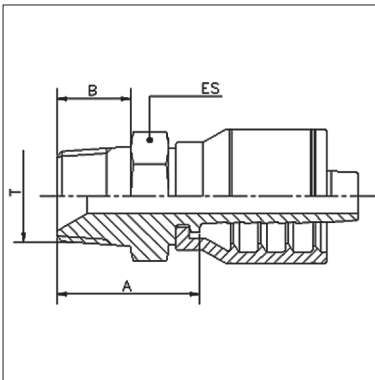
BSPP FEMALE 90° ELBOW



Product Code	BSPP Thread		Nominal ID			Dimensions mm			
	T	Size	Dash	Inch	DN	A	B	CH	D
BF9-2020H	1.1/4" - 11	20	32	1.1/4"	20	91.5	10	50	83
BF9-2424H	1.1/2" - 11	24	38	1.1/2"	24	132	12	55	108
BF9-3232H	2" - 11	32	50	2"	32	157	16	70	140

BTM1

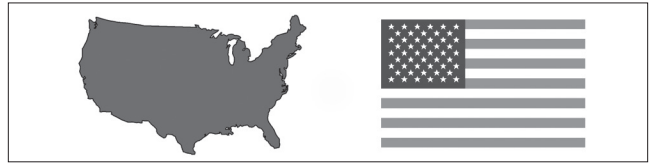
BSPT MALE STRAIGHT



Product Code	BSPT Thread		Nominal ID			Dimensions mm		
	T	Size	Dash	Inch	DN	A	B	ES
BTM1-2020H	1.1/4" - 11	20	32	1.1/4"	20	52.9	25	46
BTM1-2424H	1.1/2" - 11	24	38	1.1/2"	24	53.5	25	50
BTM1-3232H	2" - 11	32	50	2"	32	63.7	28	65

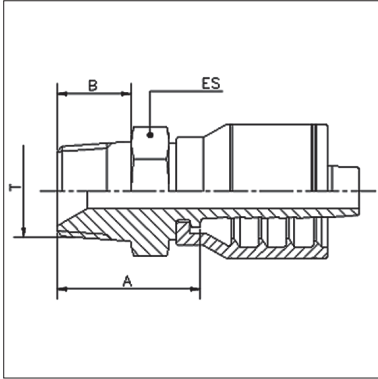
NPT FITTINGS

ORIGIN: NORTH AMERICA



NM1

NPT MALE STRAIGHT



Product Code	NPT Thread		Nominal ID			Dimensions mm		
	T	Size	Dash	Inch	DN	A	B	ES
NM1-2020H	1.1/4" - 11½	20	32	1.1/4"	20	62.9	24.5	46
NM1-2424H	1.1/2" - 11½	24	38	1.1/2"	24	61.5	25.5	50
NM1-3232H	2" - 11½	32	50	2"	32	79.7	26	65

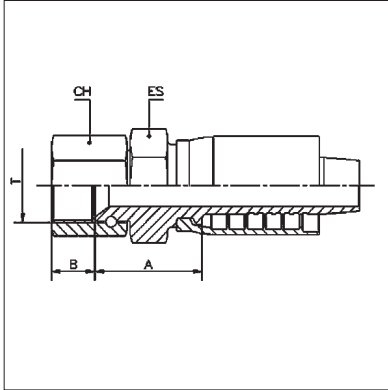
JIC FITTINGS

ORIGIN: NORTH AMERICA



JF1

JIC FEMALE STRAIGHT

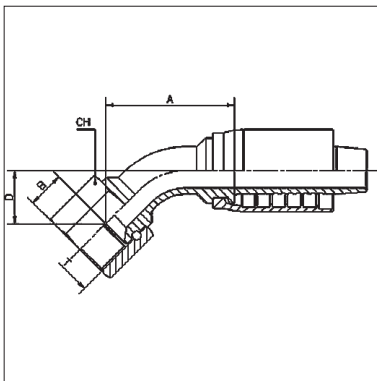


Product Code	JIC Thread			Hose Bore			Dimensions (mm)			
	Thread	Size	Tube	DN	Inch	Size	A	B	CH	ES
JF1-2020H *	1.5/8" - 12	20	20	32	1.1/4"	20	51.5	16	50	41
JF1-2424H *	1.7/8" - 12	24	24	38	1.1/2"	24	54.4	18.5	55	50
JF1-3232H * †	2.1/2" - 12	32	32	50	2"	32	77.7	24	75	65

* Thrust wired nut † Also in Stainless Steel, Product Code Example JF1SS-3232H

JF4

JIC FEMALE 45° ELBOW



Product Code	JIC Thread			Hose Bore			Dimensions (mm)			
	Thread	Size	Tube	DN	Inch	Size	A	B	D	CH
JF4-2020H †	1.5/8" - 12	20	20	32	1.1/4"	20	99.4	16	36.3	50
JF4-2424H †	1.7/8" - 12	24	24	38	1.1/2"	24	162.5	18.5	50	55
JF4-3232H †	2 1/2" - 12	32	32	50	2"	32	197	24	65.5	75

† Thrust wired nut

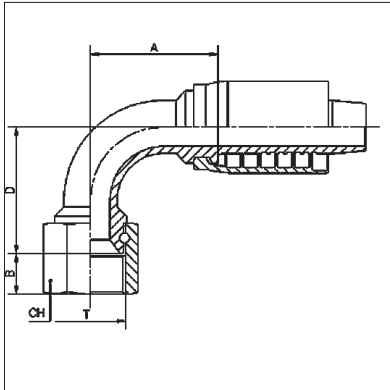
JIC FITTINGS

ORIGIN: NORTH AMERICA



JF9

JIC FEMALE 90° ELBOW

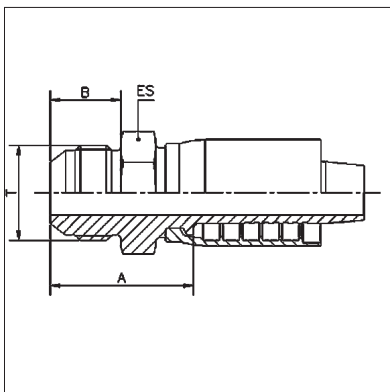


Product Code	JIC Thread			Hose Bore			Dimensions (mm)			
	Thread	Size	Tube	DN	Inch	Size	A	B	D	CH
JF9-2020H †	1.5/8" - 12	20	20	32	1.1/4"	20	84.4	16	77	50
JF9-2424H †	1.7/8" - 12	24	24	38	1.1/2"	24	128.5	18.5	105	55
JF9-3232H †	2 1/2" - 12	32	32	50	2"	32	157	24	140	75

† Thrust wired nut

JM1

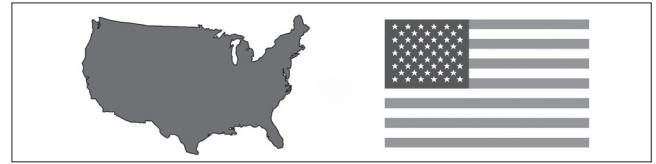
JIC MALE STRAIGHT



Product Code	JIC Thread			Hose Bore			Dimensions (mm)		
	Thread	Size	Tube	DN	Inch	Size	A	B	ES
JM1-2020H †	1.5/8" - 12	20	20	32	1.1/4"	20	62.7	24.3	46
JM1-2424H †	1.7/8" - 12	24	24	38	1.1/2"	24	63.5	27.5	50
JM1-3232H †	2 1/2" - 12	32	32	50	2"	32	87.6	33.9	65

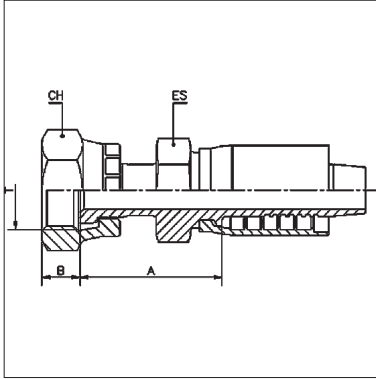
ORFS FITTINGS

ORIGIN: NORTH AMERICA



OF1

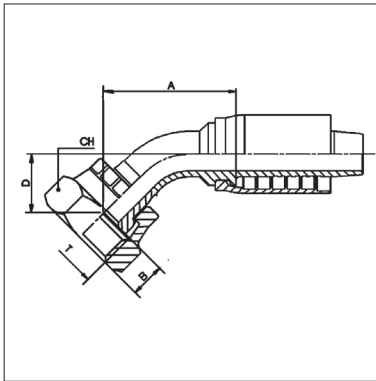
O-RING FACE SEAL FEMALE STRAIGHT



Product Code	UN Thread			Hose Bore			Dimensions (mm)			
	Thread	Size	Tube	DN	Inch	Size	A	B	CH	ES
OF1-2020H	1.11/16" - 12	20	20	32	1.1/4"	20	55.9	14.8	50	41
OF1-2420H	2" - 12	24	24	32	1.1/4"	20	62.7	14.8	60	50
OF1-2424H	2" - 12	24	24	38	1.1/2"	24	58.7	14.8	60	50

OF4

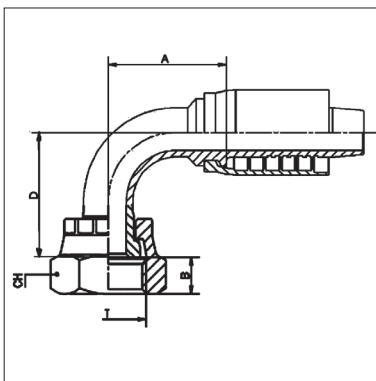
O-RING FACE SEAL FEMALE 45° ELBOW



Product Code	UN Thread			Hose Bore			Dimensions (mm)			
	Thread	Size	Tube	DN	Inch	Size	A	B	CH	D
OF4-2020H	1.11/16" - 12	20	20	32	1.1/4"	20	99.4	14.8	50	36.3
OF4-2420H	2" - 12	24	24	32	1.1/4"	20	130	14.8	60	47.2
OF4-2424H	2" - 12	24	24	38	1.1/2"	24	130	14.8	60	47.2

OF9

O-RING FACE SEAL FEMALE 90° ELBOW



Product Code	UN Thread			Hose Bore			Dimensions (mm)			
	Thread	Size	Tube	DN	Inch	Size	A	B	CH	D
OF9-2020H	1.11/16" - 12	20	20	32	1.1/4"	20	84.4	14.8	50	77
OF9-2420H	2" - 12	24	24	32	1.1/4"	20	115	14.8	60	102
OF9-2424H	2" - 12	24	24	38	1.1/2"	24	115	14.8	60	102

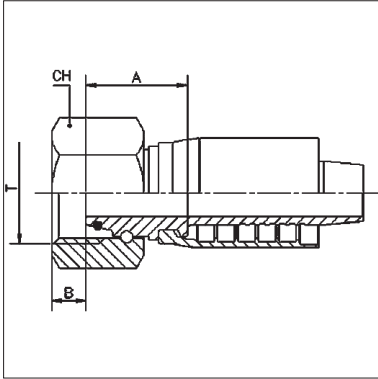
METRIC FITTINGS

ORIGIN: GERMANY



DSF1

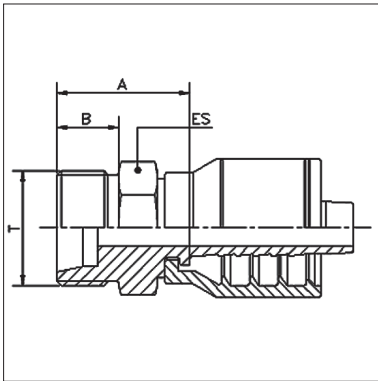
DKS (HEAVY) METRIC FEMALE
STRAIGHT



Product Code	Metric Thread			Hose Bore			Dimensions (mm)		
	Thread	Size	Tube	DN	Inch	Size	A	B	CH
DSF1-5220H	M52 x 2	52	38 S	32	1.1/4"	20	48.9	6.5	60
DSF1-5224H	M52 x 2	52	38 S	38	1.1/2"	24	48.9	6.5	60

DSM1

DKS (HEAVY) METRIC MALE
STRAIGHT



Product Code	Metric Thread			Hose Bore			Dimensions (mm)		
	Thread	Size	Tube	DN	Inch	Size	A	B	ES
DSM1-5220H	M52 x 2	52	38 S	32	1.1/4"	20	49.9	22	55

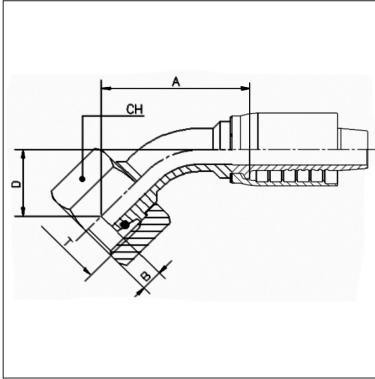
METRIC FITTINGS

ORIGIN: GERMANY



DSF4

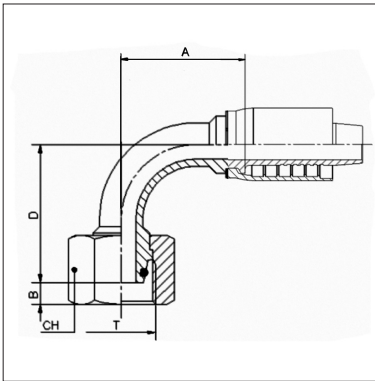
DKS (HEAVY) METRIC FEMALE
45° ELBOW



Product Code	Metric Thread			Hose Bore			Dimensions (mm)			
	Thread	Size	Tube	DN	Inch	Size	A	B	D	CH
DSF4-5220H	M52 x 2	52	38 S	32	1.1/4"	20	123.3	6.5	45.6	60

DSF9

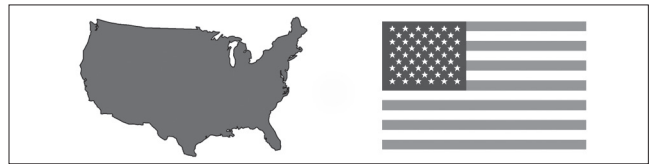
DKS (HEAVY) METRIC FEMALE
90° ELBOW



Product Code	Metric Thread			Hose Bore			Dimensions (mm)			
	Thread	Size	Tube	DN	Inch	Size	A	B	D	CH
DSF9-5220H	M52 x 2	52	38 S	32	1.1/4"	20	95.6	6.5	104	60

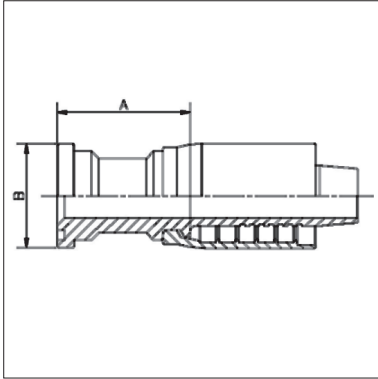
SAE FLANGES

ORIGIN: NORTH AMERICA



C611

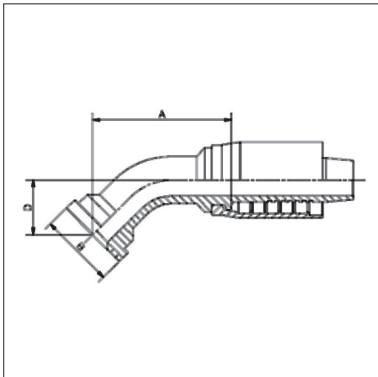
3000 PSI CODE 61
STRAIGHT FLANGE



Product Code	Flange			Hose Bore			Dimensions (mm)	
	Bore	Size	ø ins.	DN	Inch	Size	A	øB
C611-2020H	1.1/4"	20	2"	32	1.1/4"	20	51.4	50.8
C611-2420H	1.1/4"	24	2.3/8"	32	1.1/4"	20	61.4	60.3
C611-2424H	1.1/2"	24	2.3/8"	38	1.1/2"	24	62	60.3
C611-3224H	1.1/2"	32	2.13/16"	38	1.1/2"	24	77	71.4
C611-3232H	2"	32	2.13/16"	50	2"	32	95.7	71.4

C614

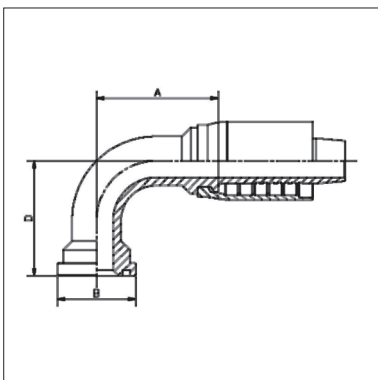
3000 PSI CODE 61
45° ELBOW FLANGE



Product Code	Flange			Hose Bore			Dimensions (mm)		
	Bore	Size	ø ins.	DN	Inch	Size	A	øB	D
C614-1620H	1.1/4"	20	2"	25	1"	16	130	50.8	43.5
C614-2020H	1.1/4"	20	2"	32	1.1/4"	20	130	50.8	43.5
C614-2420H	1.1/2"	24	2.3/8"	32	1.1/4"	20	126	60.3	38
C614-2424H	1.1/2"	24	2.3/8"	38	1.1/2"	24	152	60.3	47
C614-3224H	2"	32	2.13/16"	38	1.1/2"	24	137	71.4	47
C614-3232H	2"	32	2.13/16"	50	2"	32	155	71.4	53

C619

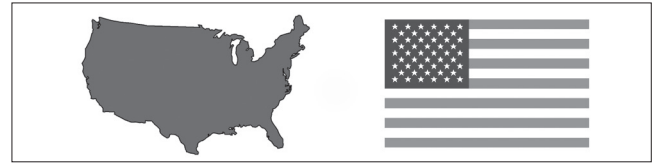
3000 PSI CODE 61
90° ELBOW FLANGE



Product Code	Flange			Hose Bore			Dimensions (mm)		
	Bore	Size	ø ins.	DN	Inch	Size	A	øB	D
C619-2020H	1.1/4"	20	2"	32	1.1/4"	20	87	50.8	69
C619-2420H	1.1/2"	24	2.3/8"	32	1.1/4"	20	108	60.3	90
C619-2424H	1.1/2"	24	2.3/8"	38	1.1/2"	24	132	60.3	103.5
C619-3224H	2"	32	2.13/16"	38	1.1/2"	24	116	71.4	104
C619-3232H	2"	32	2.13/16"	50	2"	32	155	71.4	123

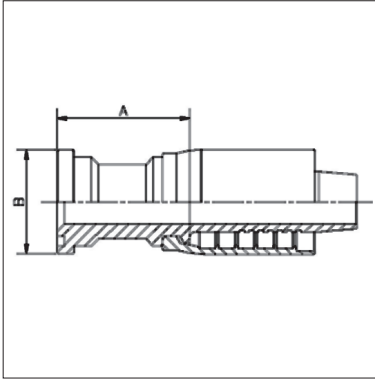
SAE FLANGES

ORIGIN: NORTH AMERICA



C621

6000 PSI CODE 62
STRAIGHT FLANGE

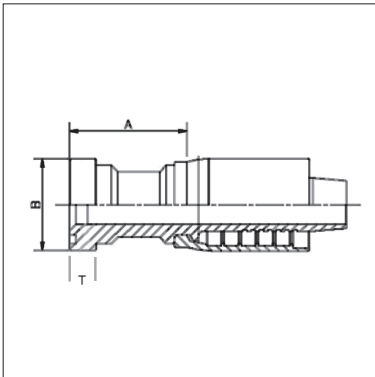


Product Code	Flange			Hose Bore			Dimensions (mm)	
	Bore	Size	ø ins.	DN	Inch	Size	A	øB
C621-1620H	1"	16	1.7/8"	32	1.1/4"	20	68	47.6
C621-2020H	1.1/4"	20	2.1/8"	32	1.1/4"	20	76.9	54
C621-2420H	1.1/2"	24	2.1/2"	32	1.1/4"	20	81.4	63.5
C621-2424H	1.1/2"	24	2.1/2"	38	1.1/2"	24	82	63.5
C621-3224H	2"	32	3.1/8"	38	1.1/2"	24	110.5	79.4
C621-3232H	2"	32	3.1/8"	50	2"	32	115.7	79.4
C621-3232HL *	2"	32	3.1/8"	50	2"	32	127	79.4

* HL Series incorporates an extra long ferrule for extreme applications

C621C

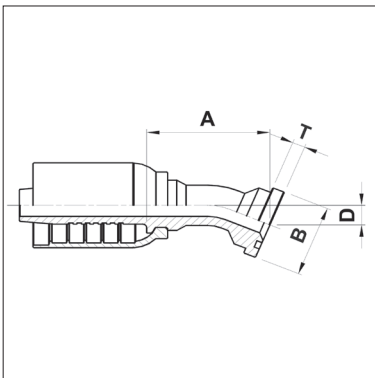
6000 PSI SUPERCAT
STRAIGHT SUPERCAT FLANGE



Product Code	Flange			Hose Bore			Dimensions (mm)		
	Bore	Size	ø ins.	DN	Inch	Size	A	øB	T
C621C-2020H	1.1/4"	20	2.1/8"	32	1.1/4"	20	76	54	14.2
C621C-2420H	1.1/2"	24	2.1/2"	32	1.1/4"	20	82.4	63.5	14.2
C621C-2424H	1.1/2"	24	2.1/2"	38	1.1/2"	24	84	63.5	14.2
C621C-3224H	2"	32	3.1/8"	38	1.1/2"	24	110.5	79.4	14.2
C621C-3232H	2"	32	3.1/8"	50	2"	32	115.7	79.4	14.2

C622C

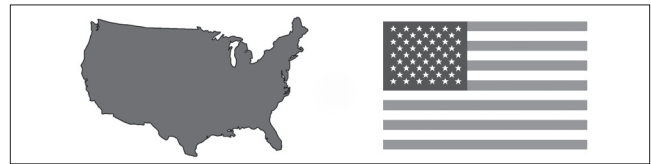
6000 PSI SUPERCAT
22½° ELBOW SUPERCAT FLANGE



Product Code	Flange			Hose Bore			Dimensions (mm)			
	Bore	Size	ø ins.	DN	Inch	Size	A	øB	T	D
C622C-2020H	1.1/4"	20	2.1/8"	32	1.1/4"	20	131.5	54	14.2	21
C622C-2420H	1.1/2"	24	2.1/2"	32	1.1/4"	20	133	63.5	14.2	22.5

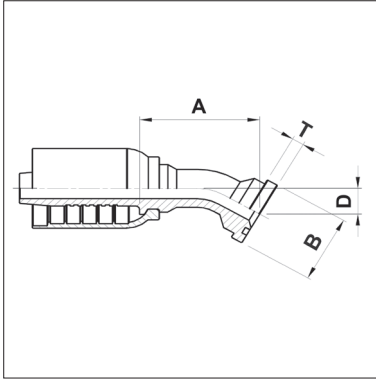
SAE FLANGES

ORIGIN: NORTH AMERICA



C623C

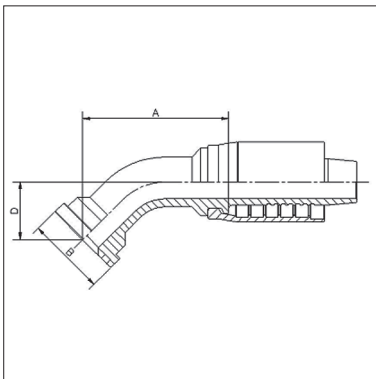
6000 PSI SUPERCAT
30° ELBOW SUPERCAT FLANGE



Product Code	Flange			Hose Bore			Dimensions (mm)			
	Bore	Size	ø ins.	DN	Inch	Size	A	øB	T	D
C623C-2020H	1.1/4"	20	2.1/8"	32	1.1/4"	20	128.5	54	14.2	29
C623C-2420H	1.1/2"	24	2.1/2"	32	1.1/4"	20	129.5	63.5	14.2	31
C623C-2424H	1.1/2"	24	2.1/2"	38	1.1/2"	24	147	63.5	14.2	29.5

C624

6000 PSI CODE 62
45° ELBOW FLANGE

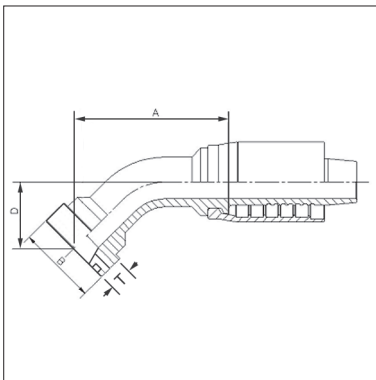


Product Code	Flange			Hose Bore			Dimensions (mm)		
	Bore	Size	ø ins.	DN	Inch	Size	A	øB	D
C624-1620H	1"	16	1.7/8"	32	1.1/4"	20	115.5	47.6	43.5
C624-2020H	1.1/4"	20	2.1/8"	32	1.1/4"	20	115.5	54	43.5
C624-2420H	1.1/2"	24	2.1/2"	32	1.1/4"	20	117.5	63.5	48
C624-2424H	1.1/2"	24	2.1/2"	38	1.1/2"	24	152	63.5	47
C624-3224H	2"	32	3.1/8"	38	1.1/2"	24	167	79.4	57
C624-3232H	2"	32	3.1/8"	50	2"	32	174	79.4	61
C624-3232HL *	2"	32	3.1/8"	50	2"	32	170.7	79.4	71

* HL Series incorporates an extra long ferrule for extreme applications

C624C

6000 PSI SUPERCAT
45° ELBOW SUPERCAT FLANGE

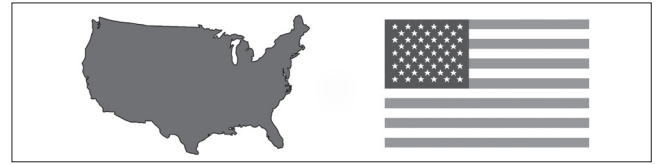


Product Code	Flange			Hose Bore			Dimensions (mm)			
	Bore	Size	ø ins.	DN	Inch	Size	A	øB	D	T
C624C-1620H	1"	16	1.7/8"	32	1.1/4"	20	98.8	47.6	42	14.2
C624C-2020H	1.1/4"	20	2.1/8"	32	1.1/4"	20	118.5	54	46.5	14.2
C624C-2420H	1.1/2"	24	2.1/2"	32	1.1/4"	20	118.5	63.5	46.5	14.2
C624C-2424H	1.1/2"	24	2.1/2"	38	1.1/2"	24	153.5	63.5	48.5	14.2
C624C-3232H	2"	32	3.1/8"	50	2"	32	182.5	79.4	61.5	14.2



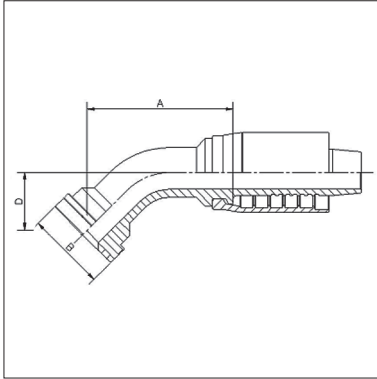
SAE FLANGES

ORIGIN: NORTH AMERICA



C626

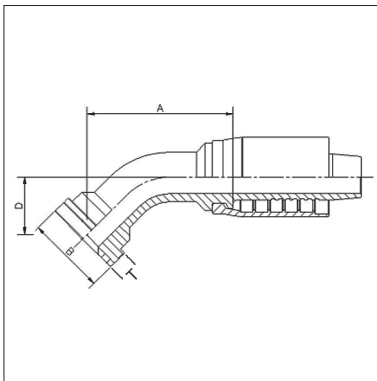
6000 PSI CODE 62
60° ELBOW FLANGE



Product Code	Flange			Hose Bore			Dimensions (mm)		
	Bore	Size	ø ins.	DN	Inch	Size	A	øB	D
C626-2020H	1.1/4"	20	2.1/8"	32	1.1/4"	20	113	54	55
C626-2420H	1.1/2"	24	2.1/2"	32	1.1/4"	20	113	63.5	55
C626-2424H	1.1/2"	24	2.1/2"	38	1.1/2"	24	175.5	63.5	69.5
C626-3224H	2"	32	3.1/8"	38	1.1/2"	24	195.5	79.4	69.5
C626-3232H	2"	32	3.1/8"	50	2"	32	215.5	79.4	90

C626C

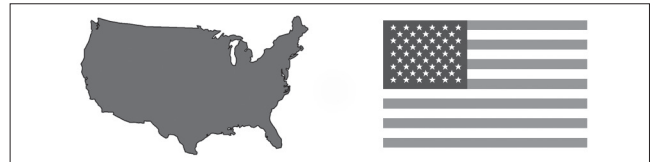
6000 PSI SUPERCAT
60° ELBOW SUPERCAT FLANGE



Product Code	Flange			Hose Bore			Dimensions (mm)			
	Bore	Size	ø ins.	DN	Inch	Size	A	øB	D	T
C626C-2020H	1.1/4"	20	2.1/8"	32	1.1/4"	20	132	54	59	14.2
C626C-2420H	1.1/2"	24	2.1/2"	32	1.1/4"	20	137	63.5	65.5	14.2
C626C-2424H	1.1/2"	24	2.1/2"	38	1.1/2"	24	153.5	63.5	71.5	14.2

SAE FLANGES

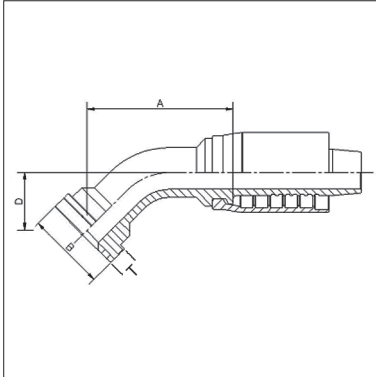
ORIGIN: NORTH AMERICA



C627C

6000 PSI CODE 62

67° ELBOW SUPERCAT FLANGE

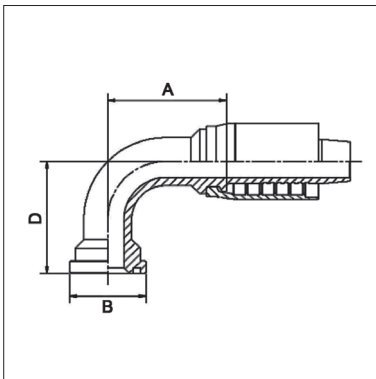


Product Code	Flange			Hose Bore			Dimensions (mm)			
	Bore	Size	ø ins.	DN	Inch	Size	A	øB	D	T
C627C-2020H	1.1/4"	20	2.1/8"	32	1.1/4"	20		54		14.2
C627C-2420H	1.1/2"	24	2.1/2"	32	1.1/4"	20		63.5		14.2

C629 / C629L

6000 PSI CODE 62

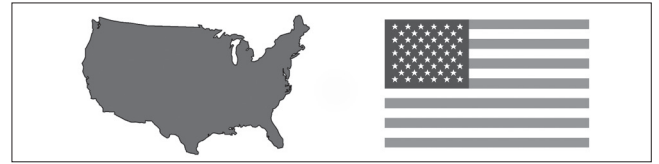
STANDARD AND LONG DROP 90° ELBOW FLANGE



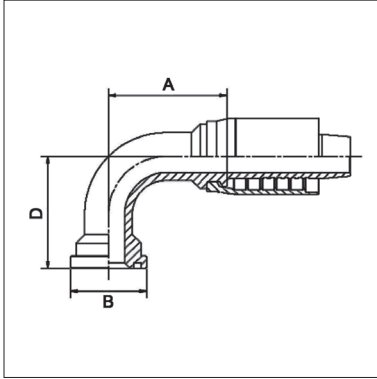
Product Code	Flange			Hose Bore			Dimensions (mm)		
	Bore	Size	ø ins.	DN	Inch	Size	A	øB	D
C629-1620H	1"	16	1.7/8"	32	1.1/4"	20	109.5	47.6	87
C629-2020H	1.1/4"	20	2.1/8"	32	1.1/4"	20	104	54	86
C629-2420H	1.1/2"	24	2.1/2"	32	1.1/4"	20	104.2	63.5	98
C629-2424H	1.1/2"	24	2.1/2"	38	1.1/2"	24	129	63.5	107
C629-3224H	2"	32	3.1/8"	38	1.1/2"	24	129	79.4	119.5
C629-3232H	2"	32	3.1/8"	50	2"	32	162	79.4	134
C629-3232HL *	2"	32	3.1/8"	50	2"	32	156.7	79.4	138
LONG DROP ELBOWS									
C629L-1616H-130	1"	16	1.7/8"	25	1"	16	86.5	47.6	130
C629L-2020H-130	1.1/4"	20	2.1/8"	32	1.1/4"	20	104	54	130
C629L-2020H-150	1.1/4"	20	2.1/8"	32	1.1/4"	20	104	54	150

* HL Series incorporates an extra long ferrule for extreme applications

SAE FLANGES
ORIGIN: NORTH AMERICA



C629C
6000 PSI SUPERCAT
90° ELBOW SUPERCAT FLANGE



Product Code	Flange			Hose Bore			Dimensions (mm)			
	Bore	Size	ø ins.	DN	Inch	Size	A	øB	D	T
C629C-2020H	1.1/4"	20	2.1/8"	32	1.1/4"	20	104	54	90.2	14.2
C629C-2420H	1.1/2"	24	2.1/2"	32	1.1/4"	20	104	63.5	90.2	14.2
C629C-2424H	1.1/2"	24	2.1/2"	38	1.1/2"	24	129	63.5	109	14.2
C629C-3232H	2"	32	3.1/8"	50	2"	32	162	79.4	136	14.2

JAPANESE FITTINGS

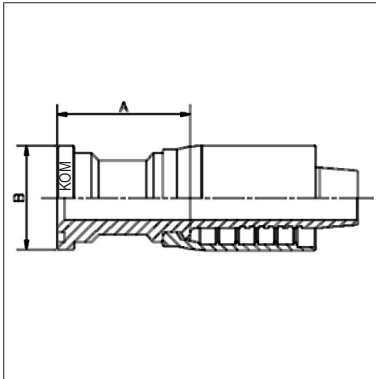
ORIGIN: JAPAN



KC611

KOMATSU STANDARD PRESSURE (3045 PSI)

STRAIGHT FLANGE



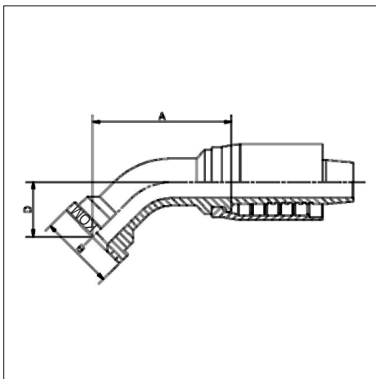
Product Code	Flange			Hose Bore			Dimensions (mm)	
	Bore	Size	ø ins.	DN	Inch	Size	A	øB
KC611-2020H	1.1/4"	20	2"	32	1.1/4"	20	82.9	50.8
KC611-2424H	1.1/2"	24	2.3/8"	38	1.1/2"	24	93.5	60.3
KC611-3232H	2"	32	2.13/16"	50	2"	32	128.7	71.4

KOM identifier can vary between flange head and stem. Flange heads incorporate metric O-Ring dimensions
See page 28

KC614

KOMATSU STANDARD PRESSURE (3045 PSI)

45° ELBOW FLANGE



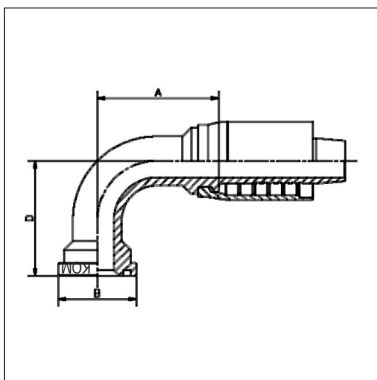
Product Code	Flange			Hose Bore			Dimensions (mm)		
	Bore	Size	ø ins.	DN	Inch	Size	A	øB	D
KC614-2020H	1.1/4"	20	2"	32	1.1/4"	20	115.9	50.8	32
KC614-2424H	1.1/2"	24	2.3/8"	38	1.1/2"	24	131.5	60.3	38
KC614-3232H	2"	32	2.13/16"	50	2"	32	188.2	71.4	54

KOM identifier can vary between flange head and stem. Flange heads incorporate metric O-Ring dimensions
See page 28

KC619

KOMATSU STANDARD PRESSURE (3045 PSI)




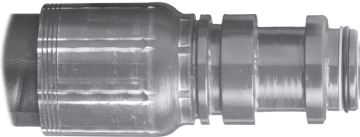





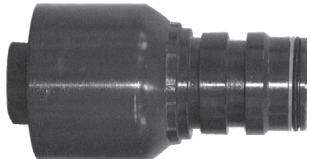

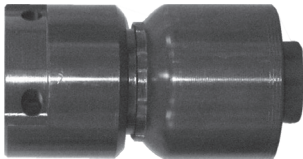
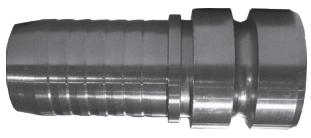

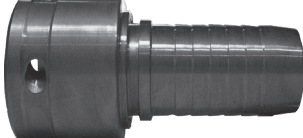
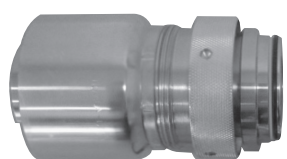
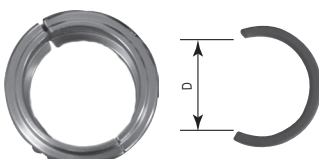

90° ELBOW FLANGE



Product Code	Flange			Hose Bore			Dimensions (mm)		
	Bore	Size	ø ins.	DN	Inch	Size	A	øB	D
KC619-2020H	1.1/4"	20	2"	32	1.1/4"	20	102.9	50.8	80
KC619-2424H	1.1/2"	24	2.3/8"	38	1.1/2"	24	132	60.3	110
KC619-3232H	2"	32	2.13/16"	50	2"	32	164.7	71.4	140

KOM identifier can vary between flange head and stem. Flange heads incorporate metric O-Ring dimensions
See page 28

MINING FITTINGS AND ADAPTERS

Configuration	Appearance		
Standard Stapelok			
<p>HOSE TAILS PAGES 55, 56</p>	<p>ADAPTERS SECT U PAGE 45</p>		
Super Stapelok			
<p>HOSE TAILS PAGE 56</p>	<p>ADAPTERS SECT U PAGE 61</p>		
Clipline (Large Bore)			
<p>HOSE TAILS PAGE 56</p>	<p>ADAPTERS SECT U PAGE 61</p>		
Flushfit			
<p>HOSE TAILS PAGES 58 - 61</p>	<p>ADAPTERS SECT U 99 - 110</p>		
Slimline			
<p>HOSE TAILS PAGES 62 - 63</p>	<p>ADAPTERS SECT U 114 - 118</p>		
SSV / SSKV			
<p>HOSE TAILS PAGES 64, 65</p>	<p>ADAPTERS SECT U PAGES 73, 81</p>		

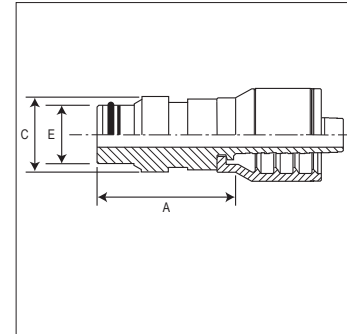
STAPLELOK

ORIGIN: GERMANY



STM1

STANDARD STAPLELOK STRAIGHT
WITH STAINLESS STEEL OPTION

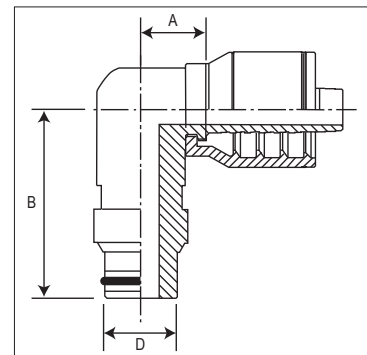


Product Code				Nominal Bore Staple			Nominal Bore Hose			Dimensions mm		
K / J Series	H Series	H Series	T Series	Dash	Inch	DN	Dash	Inch	DN	A	B	D
STM1-0604K*			STM1-0604T*	4	1/4"	6	4	1/4"	6	36	21	9.9
STM1-1004K*				6	3/8"	10	4	1/4"	6	32	21	13.9
STM1-1006J*				6	3/8"	10	6	3/8"	10	35	20	13.9
STM1-1308J*				8	1/2"	12	8	1/2"	12	35	22	17.9
STM1-1610K*				10	5/8"	16	10	5/8"	16	36	22	20.9
STM1-2012J*		STM1-2012H*		12	3/4"	20	12	3/4"	20	35	22	23.9
STM1-2516J*	STM1-2516H*			16	1"	25	16	1"	24	43	24	30.9
STM1-3220J*	STM1-3220H*			20	1.1/4"	32	20	1.1/4"	25	45	25	37.9
STM1-4024J*				24	1.1/2"	40	24	1.1/2"	28	49	28	46.9
STM1-5032J*				32	2"	50	32	2"	28	51	28	55.9
STM1-7548J*				48	3"	75	48	3"	75			
STAINLESS STEEL FITTINGS												
STM1SS-0604K*				4	1/4"	6	4	1/4"	6	36	21	9.9
STM1SS-1004K*				6	3/8"	10	4	1/4"	6	32	21	13.9
STM1SS-1006J*				6	3/8"	10	6	3/8"	10	35	20	13.9
STM1SS-1308J*		STM1SS-1308H*		8	1/2"	12	8	1/2"	12	35	21	17.9
STM1SS-2012J*				12	3/4"	20	12	3/4"	20	35	22	23.9
STM1SS-3220J*				20	1.1/4"	32	20	1.1/4"	32	45	25	37.9
STM1SS-4024J*				24	1.1/2"	40	24	1.1/2"	28	49	28	46.9
STM1SS-5032J*				32	2"	50	32	2"	28	51	28	55.9

*Available on request.

STMC9

STANDARD STAPLELOK
COMPACT ELBOW



Product Code				Nominal Bore Staple			Nominal Bore Hose			Dimensions mm			
K / J Series	H Series	H Series	T Series	Large Bore	Dash	Inch	DN	Dash	Inch	DN	A	B	D
STMC9-1004K*					6	3/8"	10	4	1/4"	6			
STMC9-1006J*					6	3/8"	10	6	3/8"	10			

*Available on request.



This page is part of a complete catalog containing technical and safety data.
All data must be reviewed when selecting a product.
PIRTEK reserves the right to change technical specifications without notice.

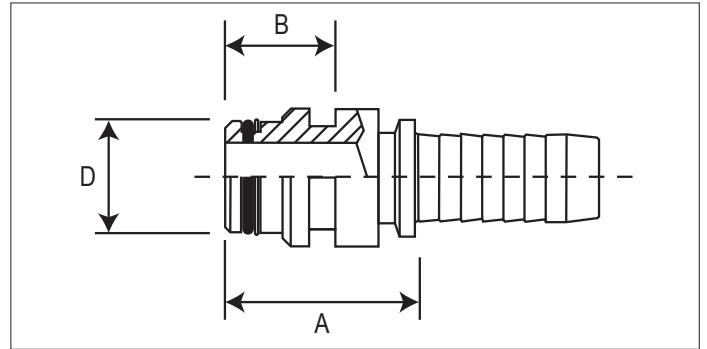
STAPLELOK

ORIGIN: GERMANY



STM1-5032

STANDARD STAPLELOK STRAIGHT
FOR INDUSTRIAL & HYDRAULIC HOSE

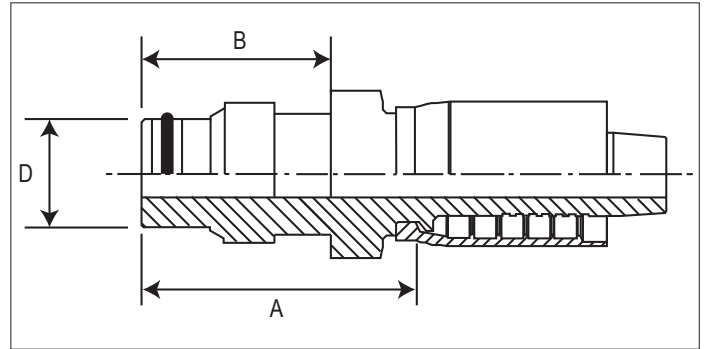


Product Code	Ferrule / Hose Combination		Nominal Bore Staple			Nominal Bore Hose			Dimensions mm		
	R2AT/2SC	IRFAW	Dash	Inch	DN	Dash	Inch	DN	A	B	D
STM1-5032	SS2-32	FFI-50	32	2"	50	32	2"	50	55	28	55.9

*Available on request.

SSTM1

SUPER STAPLE STRAIGHT
ONE PIECE TAIL

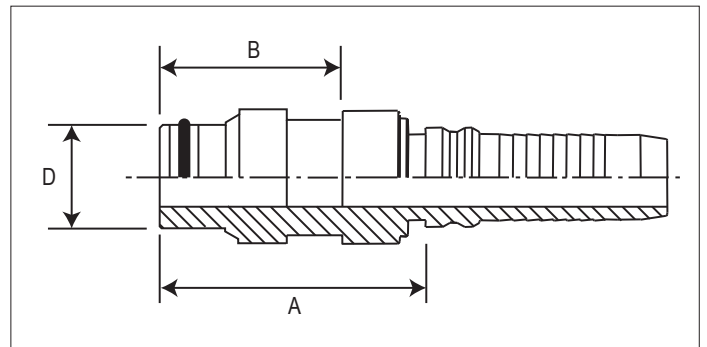


Product Codes		Ferrule / Hose Combination		Nominal Bore Staple			Nominal Bore Hose			Dimensions mm		
Steel	Stainless Steel	C35	C42	Dash	Inch	DN	Dash	Inch	DN	A	B	D
SSTM1-2012X	SSTM1SS-2012H	•	•	12	3/4"	20	12	3/4"	20	55	27	21.9
SSTM1-2516X		•	•	16	1"	25	16	1"	25	72	40	31.3
SSTM1-3220X		•	•	20	1.1/4"	32	20	1.1/4"	32	77	38	37.9
SSTM1-4024X	SSTM1SS-4024X	•	•	24	1.1/2"	40	24	1.1/2"	40	78	41	44.3
SSTM1-5032X		•		32	2"	50	32	2"	50	90	43	49.9
SSTM1-5032XL			•	32	2"	50	32	2"	50	90	43	49.9

*Available on request.

SSTM1

SUPER STAPLE STRAIGHT
INTERLOCK TAIL



Product Code	Ferrule / Hose Combination		Nominal Bore Staple			Nominal Bore Hose			Dimensions mm		
	C35	C42	Dash	Inch	DN	Dash	Inch	DN	A	B	D
SSTM1-4024I	IF13-24	IF13-24	24	1.1/2"	40	24	1.1/2"	40	68	42	43.8
SSTM1BS-5030I	-	IFBS-32	32	2"	50	32	2"	50	93	43	50.0

*Available on request.

CLIPLINE

LOW PROFILE COUPLING

MEDIUM PRESSURE

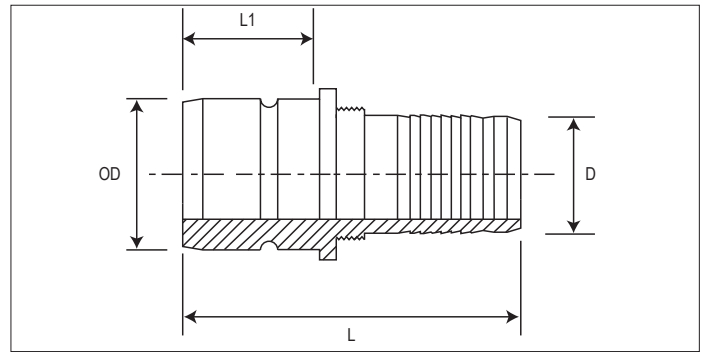


The threaded latch design of the hose tail / ferrule combination is suited only to use with hose Product Code JBF-40

* Maximum Working Pressure 140 bar

CLM1

CLIPLINE MALE HOSE TAIL



Product Code	Nominal Bore Staple			Nominal Bore Hose			Dimensions mm			
	Dash	Inch	DN	Dash	Inch	DN	L	L1	D	OD
CLM1-63-40*	40	2.1/2"	63	40	2.1/2"	63	180	74	62.5	81.8

*Available on request.

BSMS

BRIDGESTONE FERRULE

JBF MULTI-SPIRAL HOSE



Product Code	Nominal Bore Staple			Dimensions mm		
	Dash	Inch	DN	L	OD	
BSMS-40*	40	2.1/2"	63	94.9	93.3	Note threaded latch

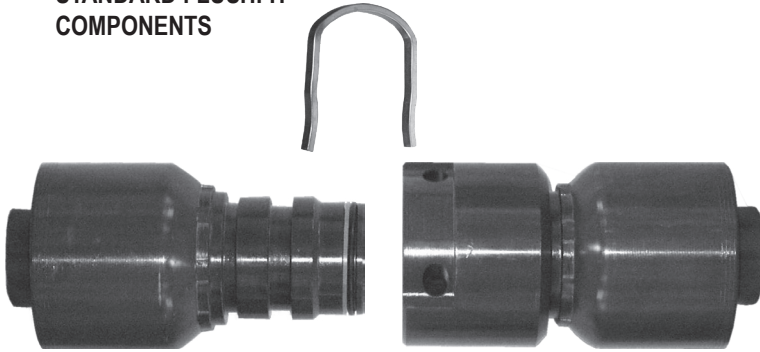
*Available on request.

FLUSHFIT

LOW PROFILE COUPLING

STANDARD AND SUPER

STANDARD FLUSHFIT COMPONENTS



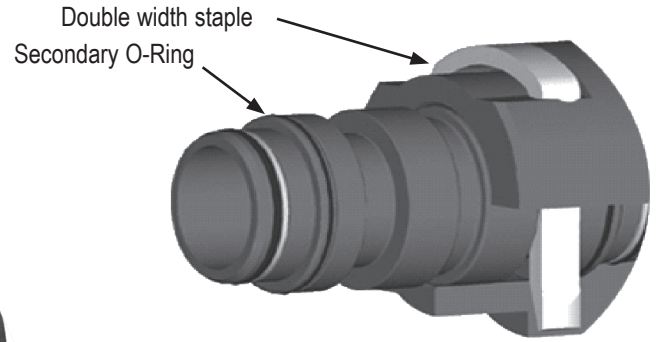
Description:

- Steel bodied low profile coupling system for full bore internal flow path with smallest possible exterior dimensions
- The staple is retained fully within the coupling profile to be snag-free
- Available in standard and super configurations (Standard configuration design varies according to fitting size)
- The Super form embodies a secondary O-Ring to maintain a clean environment in the main bore
- A clearance area simplifies staple extraction
- Fewer loose parts than similar designs

Materials and Specifications:

- Flat Teflon backup ring
- Nitrile O-Rings
- Free cutting steel body
- Hardened staple in either single width (Standard design) or double width (Super design)
- 2" material conforms to (BS 970-080M47) (UNI EN C45)
- 2 1/2" material 50 D (BS 4360-90) (UNI EN S355J2G3 extruded tube). Alternatively material conforms to (BS 970-230M07) (UNI EN 11SMnPb30)

CUTAWAY OF SUPER FLUSHFIT ASSEMBLED JOINT



Applications:

- Standard Series: low to medium pressure large bore lines (pressure and return) where the application requires a smooth exterior profile to avoid snagging
- Super Series: extra high pressure large bore lines where the application requires a smooth exterior profile to avoid snagging
- Refer PIRTEK for selection of suitable hoses to use with Flushfit Standard and Super fittings

NOMINAL WORKING PRESSURES

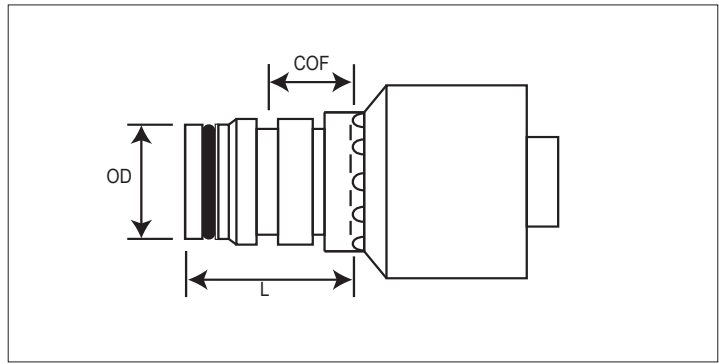
FLUSHFIT STANDARD AND SUPER

Dash	Size		Standard Flushfit - psi		Super Flushfit - psi	
	Inch	DN	Working Pressure	Burst Pressure	Working Pressure	Burst Pressure
24	1.1/2"	40	2117	8470	6091	24366
32	2"	50	1624	6497	6091	24366
40	2.1/2"	63	1000	4307	-	-

FFM1

FLUSH FIT STANDARD MALE HOSE TAIL

Suited to use with wire braided hydraulic hose



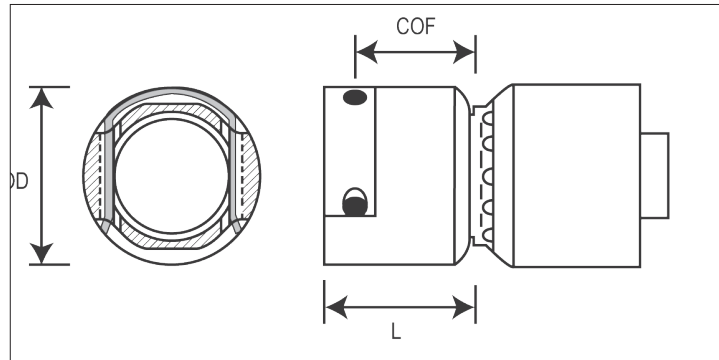
Product Code	Nominal Bore Flush Fit			Nominal Bore Hose			Dimensions mm				
	J Series	Dash	Inch	DN	Dash	Inch	DN	OD	COF	L	O-Ring
FFM1-4024J*	24	1.1/2"	40	24	1.1/2"	40	42.06	31.4	62.8	42.4 OD x 2.4 Ø	42 x 38 x 1.5 Thick
FFM1-5032J*	32	2"	50	32	2"	50	-	-	-	-	-
FFM1-6340J*	40	2.1/2"	63	40	2.1/2"	63	-	-	-	-	-

*Available on request.

FFF1

FLUSH FIT STANDARD FEMALE HOSE TAIL

Suited to use with wire braided hydraulic hose



Product Code	Nominal Bore Flush Fit			Nominal Bore Hose			Dimensions mm		
	K / J Series	Dash	Inch	DN	Dash	Inch	DN	OD	L
FFF1-4024J*	24	1.1/2"	40	24	1.1/2"	40	70	65.4	53.5
FFF1-5032J*	32	2"	50	32	2"	50	-	-	-
FFF1-6340J*	40	2.1/2"	63	40	2.1/2"	63	-	-	-

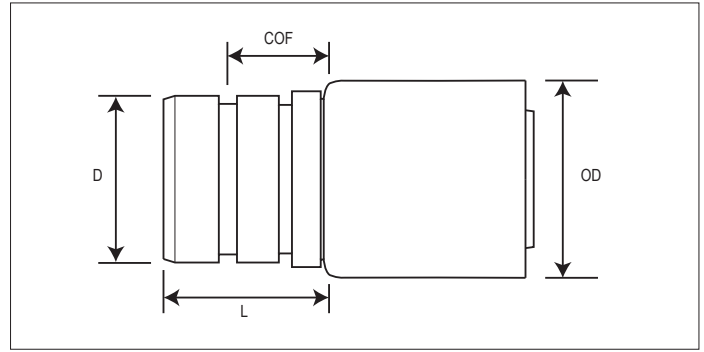
*Available on request.

FFIM1

FLUSH FIT STANDARD MALE INDUSTRIAL HOSE TAIL

Ferrule supplied with hose tail

Suited to use with FRAS rated air / water hose IRFAW



Product Code	Nominal Bore Flush Fit			Nominal Bore Hose			Dimensions Hose Tail mm			Dimensions Ferrule mm		
	L Series	Dash	Inch	DN	Dash	Inch	DN	L	D	COF	Length	OD
FFIM1-5032L*		32	2"	50	32	2"	50	57.1	55.9	33.3	-	-
FFIM1-6340L*		40	2.1/2"	63	40	2.1/2"	63	79.1	76.1	50.4	91.2	90.2

*Available on request.

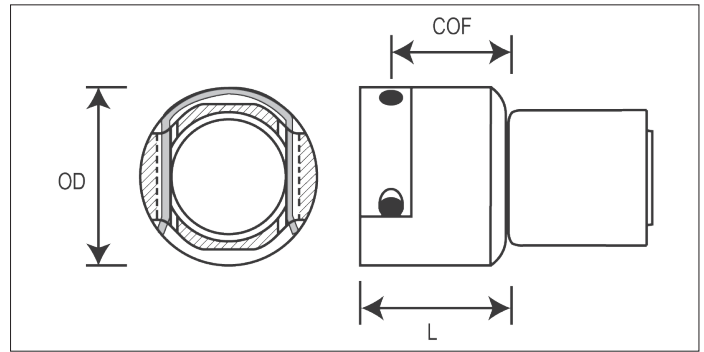
FFIF1

FLUSH FIT STANDARD FEMALE INDUSTRIAL HOSE TAIL

Ferrule supplied with hose tail

Internal O-Ring not shown

Suited to use with FRAS rated air / water hose IRFAW

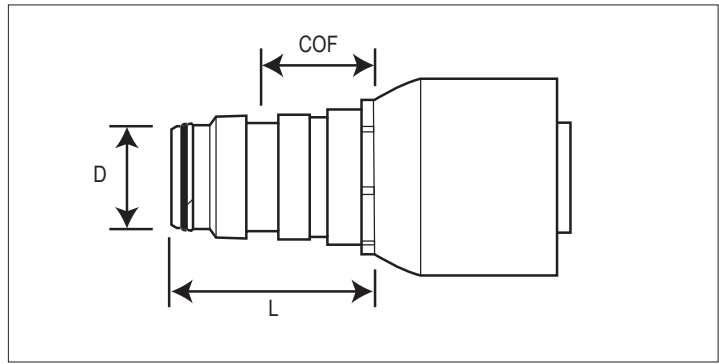


Product Code	Nominal Bore Flush Fit			Nominal Bore Hose			Dimensions Hose Tail mm			Dimensions Ferrule mm		
	L Series	Dash	Inch	DN	Dash	Inch	DN	L	OD	COF	Length	Ø
FFIF1-5032L*		32	2"	50	32	2"	50	55.8	76	40.2	-	-
FFIF1-6340L*		40	2.1/2"	63	40	2.1/2"	63	65.4	106	44.8	91.2	90.2

*Available on request.

FFSM1

FLUSH FIT SUPER MALE HOSE TAIL

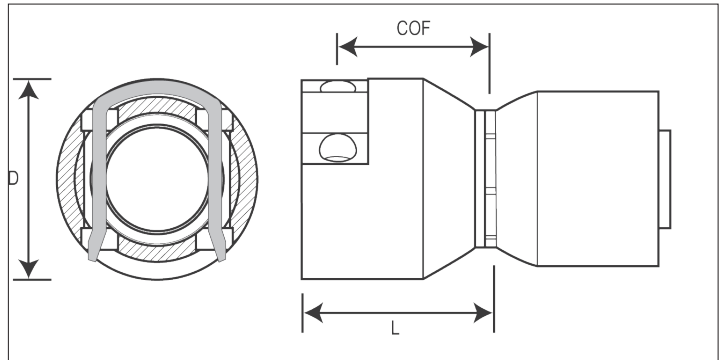


Product Code	Nominal Bore Flush Fit			Nominal Bore Hose			Dimensions mm		
	Dash	Inch	DN	Dash	Inch	DN	L	COF	D
FFSM1-5032J*	32	2"	50	32	2"	50	90	51.5	45.9
FFSM1-5032X*	32	2"	50	32	2"	50	90	51.5	45.9
FFSM1-63-40*	40	2.1/2"	63	40	2.1/2"	63	Uses BSMS-40 Ferrule with JBF-40 hose		

*Available on request.

FFSF1

FLUSH FIT SUPER FEMALE HOSE TAIL



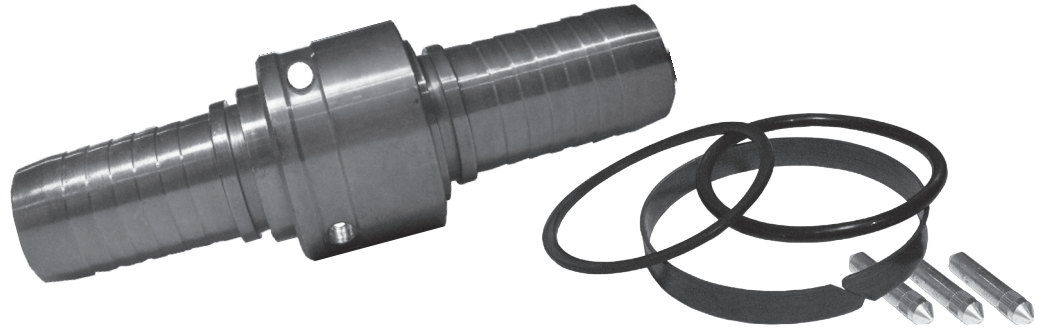
Product Code	Nominal Bore Flush Fit			Nominal Bore Hose			Dimensions Hose Tail mm		
	Dash	Inch	DN	Dash	Inch	DN	L	OD	COF
FFSF1-5032J*	32	2"	50	32	2"	50	97	95.2	75
FFSF1-5032X*	32	2"	50	32	2"	50	97	95.2	75
FFSF1-63-40*	40	2.1/2"	63	40	2.1/2"	63	Uses BSMS-40 Ferrule with JBF-40 hose		

*Available on request.

SLIMLINE® ORIGINAL

LOW PRESSURE COUPLING

LOW PROFILE



Description:

- Steel bodied hose tail originally developed for use in Australian underground coal mines
- Intended to provide a full bore internal flow path with smallest possible exterior dimensions
- Retention system uses 2 or 3 shear pins and a pin retaining clip in spring steel
- 'Snag free' external profile

Materials and Specifications:

- Free cutting steel body and pins
- Flat Teflon or NBR backup ring
- Nitrile O-Ring

Applications:

- Low to medium pressure large bore return lines where the application requires a smooth exterior profile to avoid snagging
- Two piece ferrule and tail types using the FFI ferrule are suited to industrial hose only

Note:

This design has evolved into 3 variations of differing pressure capabilities, and differentiated by the pin size and clip width

Consult PIRTEK for availability

NOMINAL WORKING PRESSURES

SLIMLINE ORIGINAL

Dash	Size		Original Slimline - psi	
	Inch	DN	Working Pressure	Burst Pressure
24	1.1/2"	40	1450	5801
32	2"	50	1015	4061
40	2.1/2"	63	1015	4061

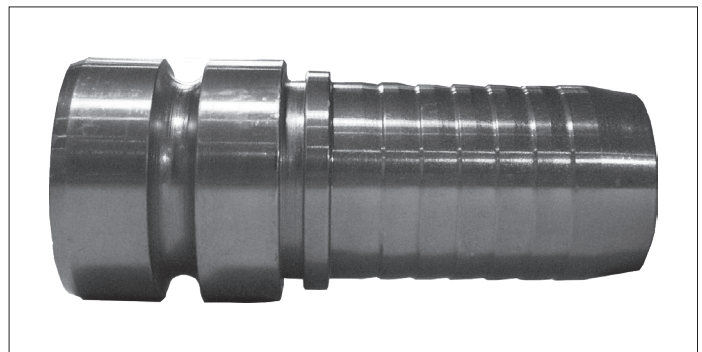
ISLM1

INDUSTRIAL SLIMLINE

MALE HOSE TAIL

Requires FFI-xx ferrule

eg ISLM1-5032 requires a FFI-50 ferrule to suit FRAS hose



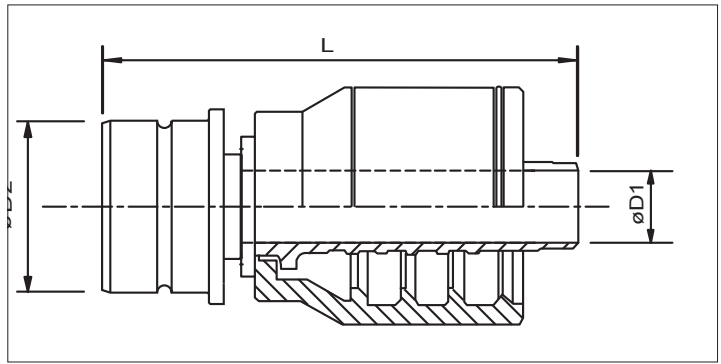
Product Code	Nominal Bore Slimline			Nominal Bore Hose			Dimensions mm		
	Dash	Inch	DN	Dash	Inch	DN	Length	OD	Cutoff Factor*
ISLM1-4024*	24	1.1/2"	40	24	1.1/2"	40	110	47.4	41
ISLM1-5032*	32	2"	50	32	2"	50	136	60.2	55
ISLM1-6340*	40	2.1/2"	63	40	2.1/2"	63	182	76.15	69

* Sealing point for cut off factor is at the midpoint of the leading land area

*Available on request.

SLM1 SLIMLINE MALE HOSE TAIL

U Series Lightweight is to suit FRAS hose

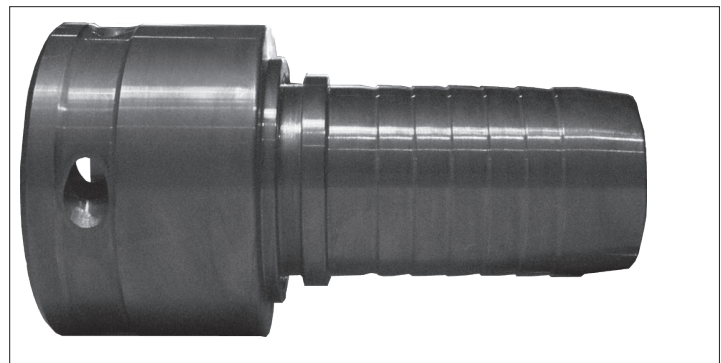


Product Code	Nominal Bore Slimline			Nominal Bore Hose			Dimensions mm		
	Dash	Inch	DN	Dash	Inch	DN	Length	D2	D1
SLM1-5032J*	32	2"	50	32	2"	50	-	60.2	-
SLM1-5032U*	32	2"	50	32	2"	50	-	60.2	-
SLM1-6340J*	40	2.1/2"	63	40	2.1/2"	63	-	76.15	-

*Available on request.

ISLF1 INDUSTRIAL SLIMLINE FEMALE HOSE TAIL

Requires FFI-xx ferrule
eg ISLF1-5032 requires a FFI-50 ferrule to suit FRAS hose

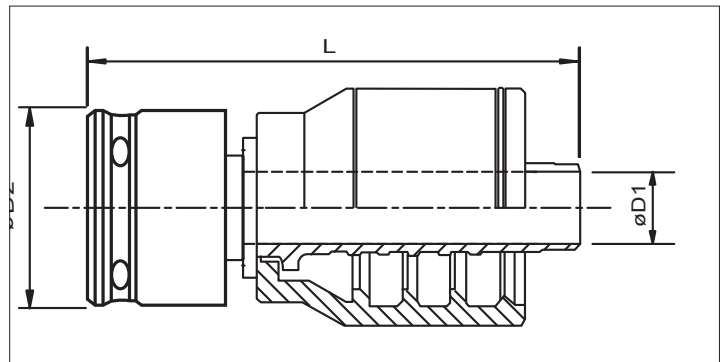


Product Code	Nominal Bore Slimline			Nominal Bore Hose			Dimensions mm		
	Dash	Inch	DN	Dash	Inch	DN	Length	OD	Cutoff Factor *
ISLF1-4024*	24	1.1/2"	40	24	1.1/2"	40	116	63.4	30

* Sealing point for cut off factor is the internal O-Ring

*Available on request.

SLF1 SLIMLINE FEMALE HOSE TAIL



Product Code	Nominal Bore Slimline			Nominal Bore Hose			Dimensions mm		
	Dash	Inch	DN	Dash	Inch	DN	Length	D2	D1
SLF1-5032J*	32	2"	50	32	2"	50	-	-	-
SLF1-6340J*	40	2.1/2"	63	40	2.1/2"	63	-	-	-

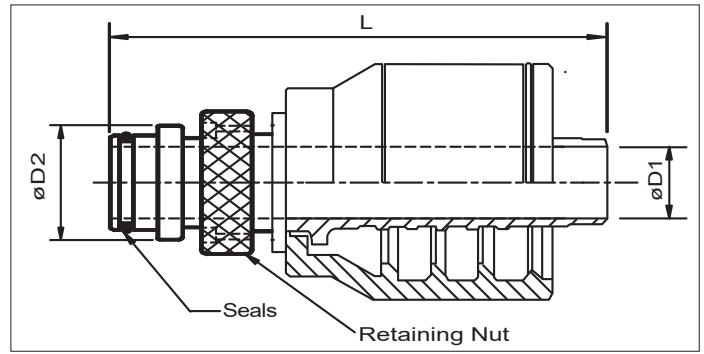
*Available on request.



This page is part of a complete catalog containing technical and safety data.
All data must be reviewed when selecting a product.
PIRTEK reserves the right to change technical specifications without notice.

SKVM1

STANDARD PRANGE MALE

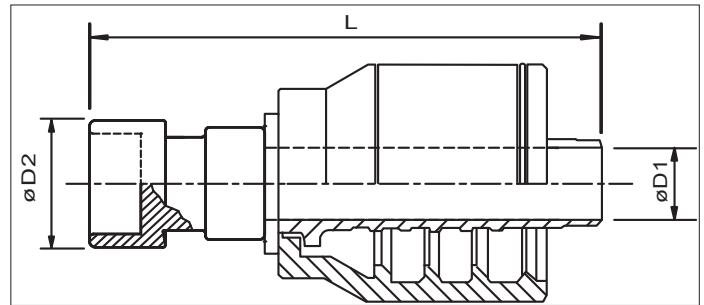


Product Code	Nominal Bore SKV			Nominal Bore Hose			Dimensions mm		
	Dash	Inch	DN	Dash	Inch	DN	D1	D2	L
SKVM1-4024J*	40	1.1/2"	40	24	1.1/2"	40	32	53	144
SKVM1-5032J*	50	2"	50	32	2"	50	44	65	155
SKVM1-6340J*	63	2.1/2"	63	40	2.1/2"	63	55	75	165

*Available on request.

SKVF1

STANDARD PRANGE FEMALE

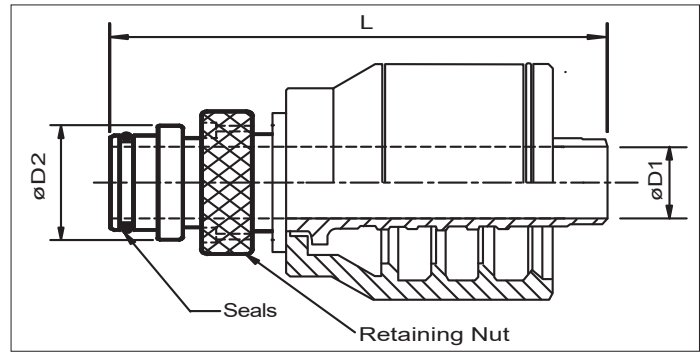


Product Code	Nominal Bore SKV			Nominal Bore Hose			Dimensions mm		
	Dash	Inch	DN	Dash	Inch	DN	D1	D2	L
SKVF1-5032J*	50	2"	50	32	2"	50	44	65	138
SKVF1-6340J*	63	2.1/2"	63	40	2.1/2"	63	55	75	136

*Available on request.

SSKVM1

HIGH PRESSURE PRANGE MALE



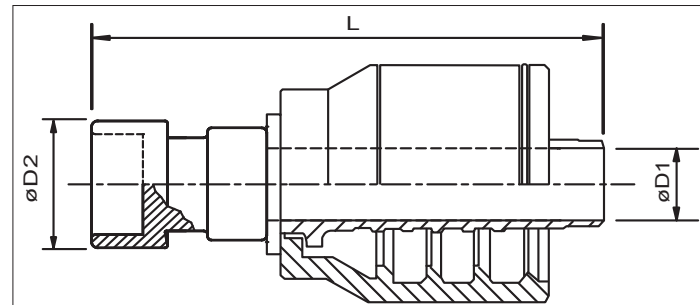
Product Code	Nominal Bore SSKV			Nominal Bore Hose			Dimensions mm		
	Dash	Inch	DN	Dash	Inch	DN	D1	D2	L
SSKVM1-1006J*	10	3/8"	10	06	3/8"	10	-	-	-
SSKVM1-1308J*	13	1/2"	13	08	1/2"	13	10	24	87
SSKVM1-2012H*	20	3/4"	20	12	3/4"	20	15	30	103
SSKVM1-2516X*	25	1"	25	16	1"	25	20	36	122
SSKVM1-4024X*	40	1.1/2"	40	24	1.1/2"	40	30	54	155
SSKVM1-5032X*	50	2"	50	32	2"	50	40	70	190
SSKVM1-6340*†	63	2.1/2"	63	40	2.1/2"	63	50	84	202

*Available on request.

† Tail design uses a threaded latchment as seen on the Cipline fitting page 59.

SSKVF1

HIGH PRESSURE PRANGE FEMALE



Product Code	Nominal Bore SSKV			Nominal Bore Hose			Dimensions mm		
	Dash	Inch	DN	Dash	Inch	DN	D1	D2	L
SSKVF1-5032X*	50	2"	50	32	2"	50	40	70	168

*Available on request.

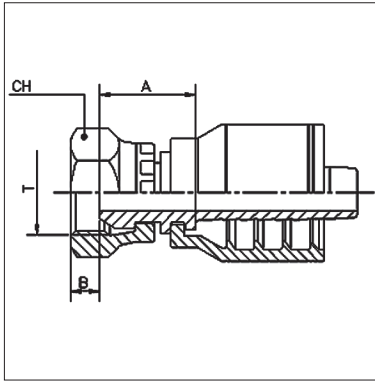
BSP

ORIGIN: GREAT BRITAIN



BF1

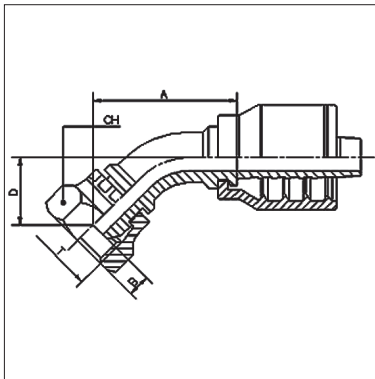
BSPP FEMALE STRAIGHT



Product Code	BSPP Thread			Nominal ID			Dimensions mm		
	T	Size	Pipe	DN	Inch	Size	A	B	CH
BF1-0203T	1/8" - 28	02	1/8"	5	3/16"	03	14.3	5.5	14
BF1-0204T	1/8" - 28	02	1/8"	6	1/4"	04	21.5	5.5	14
BF1-0404T	1/4" - 19	04	1/4"	6	1/4"	04	17.5	4.2	19
BF1-0604T	3/8" - 19	06	3/8"	6	1/4"	04	18.5	6	22
BF1-0405T	1/4" - 19	04	1/4"	8	5/16"	05	17.8	4.2	19
BF1-0605T	3/8" - 19	06	3/8"	8	5/16"	05	18.5	6	22
BF1-0406T	1/4" - 19	04	1/4"	10	1/4"	06	17.8	4.2	19
BF1-0606T	3/8" - 19	06	3/8"	10	3/8"	06	18.5	6	22
BF1-0806T	1/2" - 14	08	1/2"	10	3/8"	06	20.5	6.5	27
BF1-0808T	1/2" - 14	08	1/2"	12	1/2"	08	21	6.5	27
BF1-1010T	5/8" - 14	10	5/8"	16	5/8"	10	18	9.5	27
BF1-1212T	3/4" - 14	12	3/4"	20	3/4"	12	22	8.7	32
BF1-1612T	1" - 11	16	1"	20	3/4"	12	27	10.5	38
BF1-1616T	1" - 11	16	1"	25	1"	16	28	10.5	38

BF4

BSPP FEMALE 45° ELBOW

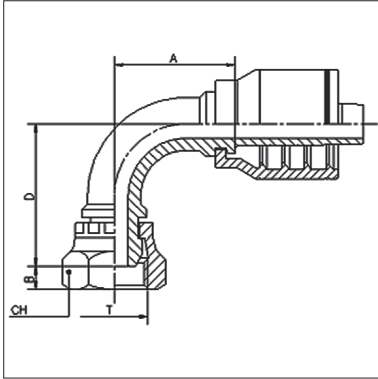


Product Code	BSPP Thread			Nominal ID			Dimensions mm			
	T	Size	Pipe	DN	Inch	Size	A	B	CH	D
BF4-0404T	1/4" - 19	04	1/4"	6	1/4"	04	31.5	4.2	19	13
BF4-0606T	3/8" - 19	06	3/8"	10	3/8"	06	39	6	22	15
BF4-0808T	1/2" - 14	08	1/2"	12	1/2"	08	46	6.5	27	18
BF4-1212T	3/4" - 14	12	3/4"	20	3/4"	12	70	8.7	32	28.3
BF4-1616T	1" - 11	16	1"	25	1"	16	83.5	10.5	38	32

BSP
ORIGIN: GREAT BRITAIN

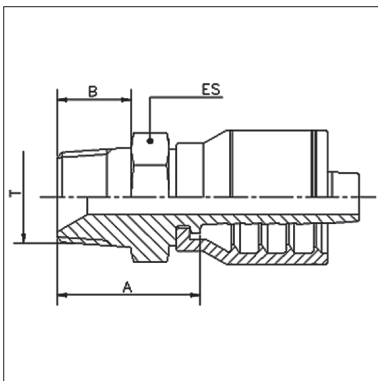


BF9
BSPP FEMALE 90° ELBOW



Product Code	BSPP Thread			Nominal ID			Dimensions mm			
	T	Size	Pipe	DN	Inch	Size	A	B	CH	D
BF9-0404T	1/4" - 19	04	1/4"	6	1/4"	04	27.5	4.2	19	27
BF9-0604T	3/8" - 19	06	1/4"	6	1/4"	04	27.5	6	22	29.5
BF9-0606T	3/8" - 19	06	3/8"	10	3/8"	06	32.5	6	22	30
BF9-0806T	1/2" - 14	08	3/8"	10	3/8"	06	32.5	6.5	27	32
BF9-0808T	1/2" - 14	08	1/2"	12	1/2"	08	39	6.5	27	36.5
BF9-1010T	5/8" - 14	10	5/8"	16	5/8"	10	46.5	9.5	27	49
BF9-1212T	3/4" - 14	12	3/4"	20	3/4"	12	62.5	8.7	32	58.8
BF9-1616T	1" - 11	16	1"	25	1"	16	71.5	10.5	38	71

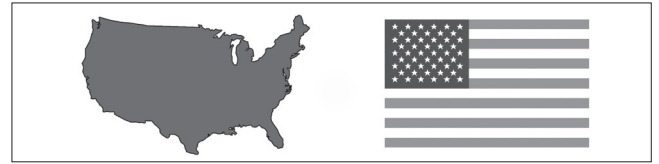
BTM1
BSPT MALE STRAIGHT



Product Code	BSPT Thread			Nominal ID			Dimensions mm		
	T	Size	Pipe	DN	Inch	Size	A	B	ES
BTM1-0203T	1/8" - 28	02	1/8"	5	3/16"	03	21	9.7	12
BTM1-0403T	1/4" - 19	04	1/4"	5	3/16"	03	25.3	14	14
BTM1-0204T	1/8" - 28	02	1/8"	6	1/4"	04	20.2	9.7	12
BTM1-0404T	1/4" - 19	04	1/4"	6	1/4"	04	26.5	14	14
BTM1-0605T	3/8" - 19	06	3/8"	8	5/16"	05	29	15	19
BTM1-0406T	1/4" - 19	04	1/4"	10	3/8"	06	24.5	14	14
BTM1-0606T	3/8" - 19	06	3/8"	10	3/8"	06	29	15	19
BTM1-0608T	3/8" - 19	06	3/8"	12	1/2"	08	29	15	19
BTM1-0808T	1/2" - 14	08	1/2"	12	1/2"	08	32.5	18	22
BTM1-1212T	3/4" - 14	12	3/4"	20	3/4"	12	42.5	20	27
BTM1-1616T	1" - 11	16	1"	25	1"	16	46.5	23	36

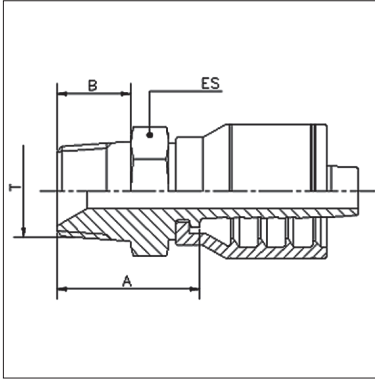
NPT

ORIGIN: NORTH AMERICA



NM1

NPT MALE STRAIGHT

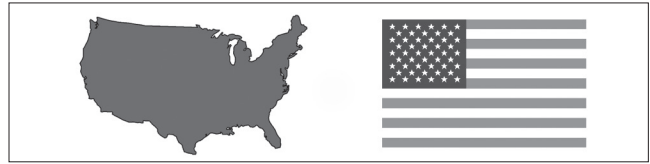


Product Code	NPT Thread			Nominal ID			Dimensions mm		
	T	Size	Pipe	DN	Inch	Size	A	B	ES
NM1-0203T	1/8" - 27	02	1/8"	5	3/16"	03	20.8	9.5	11.1
NM1-0403T	1/4" - 18	04	1/4"	5	3/16"	03	25.8	14	14
NM1-0204T	1/8" - 27	02	1/8"	6	1/4"	04	22	9.5	14
NM1-0404T †	1/4" - 18	04	1/4"	6	1/4"	04	26.5	14	14
NM1-0606T †	3/8" - 18	06	3/8"	10	3/8"	06	28	14	19
NM1-0806T †	1/2" - 14	08	1/2"	10	3/8"	06	33	19	22
NM1-0808T †	1/2" - 14	08	1/2"	12	1/2"	08	33.5	19	22
NM1-0810T	1/2" - 14	08	1/2"	16	5/8"	10	33.5	19	24
NM1-1212T †	3/4" - 14	12	3/4"	20	3/4"	12	41.5	19	27
NM1-1616T †	1" - 11½	16	1"	25	1"	16	47.5	24	36

† Also in Stainless Steel, Product Code Example NM1SS-0808T

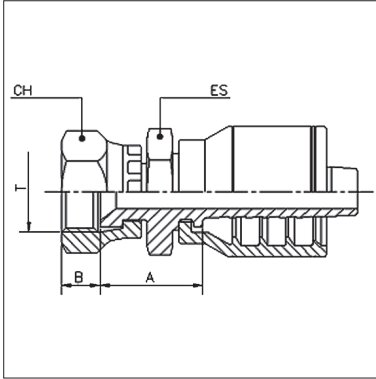
JIC

ORIGIN: NORTH AMERICA



JFI

JIC FEMALE STRAIGHT

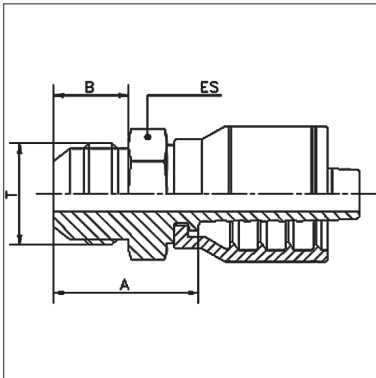


Product Code	JIC Thread			Hose Bore			Dimensions (mm)			
	Thread	Size	Tube	DN	Inch	Size	A	B	CH	ES
JF1-0403T	7/16" - 20	04	04	5	3/16"	03	19.6	8.5	14	11.11
JF1-0404T †	7/16" - 20	04	04	6	1/4"	04	20.8	8.5	14	14
JF1-0504T	1/2" - 20	05	05	6	1/4"	04	21.5	10.5	17	14
JF1-0604T	9/16" - 18	06	06	6	1/4"	04	23	9.5	19	14
JF1-0505T	1/2" - 20	05	05	8	5/16"	05	15.5	10.5	17	14
JF1-0605T	9/16" - 18	06	06	8	5/16"	05	21	9.5	19	14
JF1-0606T †	9/16" - 18	06	06	10	3/8"	06	24	9.5	19	17
JF1-0806T †	3/4" - 16	08	08	10	3/8"	06	25.9	10.7	22	19
JF1-0808T †	3/4" - 16	08	08	12	1/2"	08	25.4	10.7	22	19
JF1-1008T †	7/8" - 14	10	10	12	1/2"	08	29.8	12.7	27	22
JF1-1208T	1.1/16" - 12	12	12	12	1/2"	08	35.5	13.8	32	27
JF1-1010T	7/8" - 14	10	10	16	5/8"	10	29.8	12.7	27	22
JF1-1210T	1.1/16" - 12	12	12	16	5/8"	10	35.5	13.8	32	27
JF1-1212T †	1.1/16" - 12	12	12	20	3/4"	12	36	13.8	32	27
JF1-1616T †	1.5/16" - 12	16	16	25	1"	16	35	16	38	32

† Also in Stainless Steel, Product Code Example JF1SS-0808T

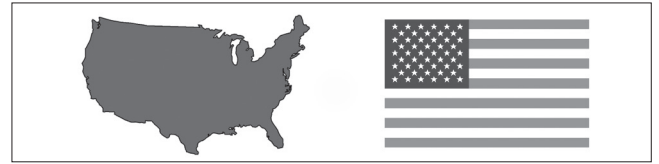
JM1

JIC MALE STRAIGHT

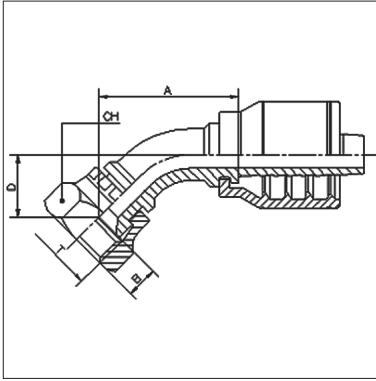


Product Code	JIC Thread			Hose Bore			Dimensions (mm)		
	Thread	Size	Tube	DN	Inch	Size	A	B	ES
JM1-0403T	7/16" - 20	04	04	5	3/16"	03	25.3	14	14
JM1-0404T	7/16" - 20	04	04	6	1/4"	04	26.5	14	14
JM1-0604T	9/16" - 18	06	06	6	1/4"	04	27.5	14	17
JM1-0605T	9/16" - 18	06	06	8	5/16"	05	27.5	14	17
JM1-0606T	9/16" - 18	06	06	10	3/8"	06	27.5	14	17
JM1-0806T	3/4" - 16	08	08	10	3/8"	06	30.2	16.7	19
JM1-0808T	3/4" - 16	08	08	12	1/2"	08	30.7	16.7	19
JM1-1008T	7/8" - 14	10	10	12	1/2"	08	34.9	19.3	24
JM1-1010T	7/8" - 14	10	10	16	5/8"	10	35.3	19.3	24
JM1-1212T	1.1/16" - 12	12	12	20	3/4"	12	39.4	21.9	27

JIC
ORIGIN: NORTH AMERICA



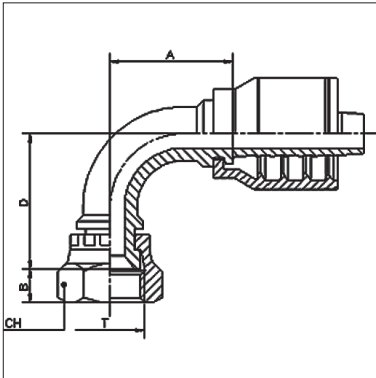
JF4
JIC FEMALE 45° ELBOW



Product Code	JIC Thread			Hose Bore			Dimensions (mm)			
	Thread	Size	Tube	DN	Inch	Size	A	B	CH	D
JF4-0404T	7/16" - 20	04	04	6	1/4"	04	36	8.5	14	14
JF4-0504T	1/2" - 20	05	05	6	1/4"	04	41.5	10.5	17	15
JF4-0604T	9/16" - 18	06	06	6	1/4"	04	34.5	9.5	19	14.5
JF4-0606T	9/16" - 18	06	06	10	3/8"	06	44.5	9.5	19	11.5
JF4-0806T	3/4" - 16	08	08	10	3/8"	06	44	10.7	22	14.5
JF4-0808T	3/4" - 16	08	08	12	1/2"	08	43.2	10.7	22	13.8
JF4-1008T	7/8" - 14	10	10	12	1/2"	08	55.5	12.5	27	19
JF4-1010T	7/8" - 14	10	10	16	5/8"	10	62.5	12.7	27	24
JF4-1210T †	1.1/16" - 12	12	12	16	5/8"	10	60.5	13.8	32	29
JF4-1212T †	1.1/16" - 12	12	12	20	3/4"	12	70	13.8	32	28.3
JF4-1616T †	1.5/16" - 12	16	16	25	1"	16	83.5	16	38	32

† Pin Nut

JF9
JIC FEMALE 90° ELBOW

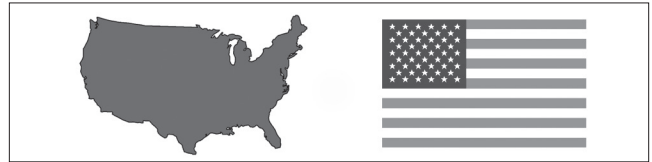


Product Code	JIC Thread			Hose Bore			Dimensions (mm)			
	Thread	Size	Tube	DN	Inch	Size	A	B	CH	D
JF9-0403T	7/16" - 20	04	04	5	3/16"	03	24	8.5	14	46
JF9-0404T †	7/16" - 20	04	04	6	1/4"	04	28.5	8.5	15	26.5
JF9-0504T	1/2" - 20	05	05	6	1/4"	04	29	10.5	17	30
JF9-0604T	9/16" - 18	06	06	6	1/4"	04	27.5	9.5	19	27.5
JF9-0505T	1/2" - 20	05	05	8	5/16"	05	32	10.5	17	33
JF9-0605T	9/16" - 18	06	06	8	5/16"	05	30	9.5	19	22
JF9-0606T †	9/16" - 18	06	06	10	3/8"	06	31	9.5	19	22
JF9-0806T	3/4" - 16	08	08	10	3/8"	06	31.5	10.7	22	30
JF9-0808T †	3/4" - 16	08	08	12	1/2"	08	41	10.7	22	30
JF9-1008T	7/8" - 14	10	10	12	1/2"	08	42.5	12.5	27	40
JF9-1010T	7/8" - 14	10	10	16	5/8"	10	47.5	12.7	27	49
JF9-1210T *	1.1/16" - 12	12	12	16	5/8"	10	48.5	13.8	32	47.5
JF9-1212T * †	1.1/16" - 12	12	12	20	3/4"	12	61.5	13.8	32	58.8
JF9-1616T * †	1.5/16" - 12	16	16	25	1"	16	71.5	16	38	71

* Pin Nut † Also in Stainless Steel, Product Code Example JF9SS-0808T

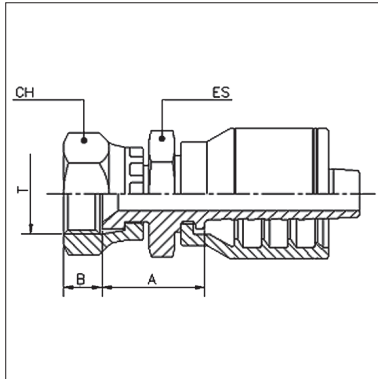
SAE

ORIGIN: NORTH AMERICA



SF1

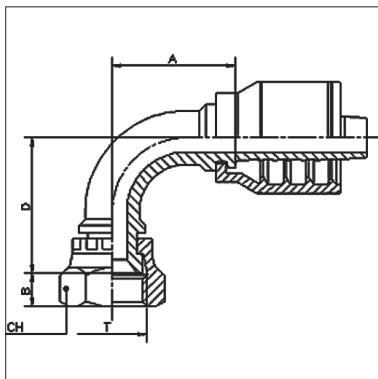
SAE FEMALE STRAIGHT



Product Code	SAE Thread			Hose Bore			Dimensions (mm)			
	Thread	Size	Tube	DN	Inch	Size	A	B	CH	ES
SF1-0604T	5/8" - 18	06	06	6	1/4"	04	23.9	10.8	22	19
SF1-0606T	5/8" - 18	06	06	10	3/8"	06	23.9	10.8	22	19
SF1-1212T	1.1/16" - 14	12	12	20	3/4"	12	31.2	14.4	32	27

SF9

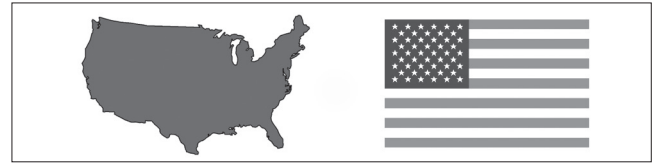
SAE FEMALE 90° ELBOW



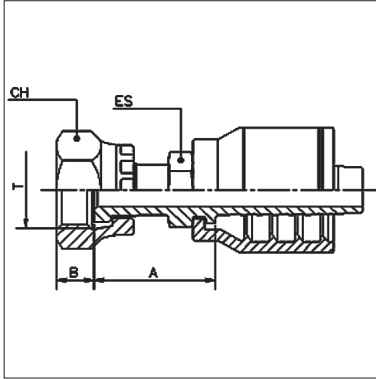
Product Code	SAE Thread			Hose Bore			Dimensions (mm)			
	Thread	Size	Tube	DN	Inch	Size	A	B	D	CH
SF9-0606T	5/8" - 18	06	06	10	3/8"	06	37	10.8	37	22

ORFS FITTINGS

ORIGIN: NORTH AMERICA



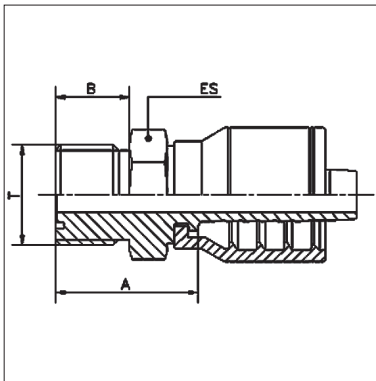
OF1 O-RING FACE SEAL FEMALE STRAIGHT



Product Code	UN Thread			Hose Bore			Dimensions (mm)			
	Thread	Size	Tube	DN	Inch	Size	A	B	CH	ES
OF1-0404T †	9/16" - 18	04	04	6	1/4"	04	28	8	19	14
OF1-0604T	11/16" - 16	06	06	6	1/4"	04	31.5	9.5	22	17
OF1-0606T †	11/16" - 16	06	06	10	3/8"	06	32	9.5	22	17
OF1-0806T	13/16" - 16	08	08	10	3/8"	06	36.5	11	24	19
OF1-0808T	13/16" - 16	08	08	12	1/2"	08	35	11	24	19
OF1-1008T	1" - 14	10	10	12	1/2"	08	39	13.5	30	24
OF1-1010T	1" - 14	10	10	16	5/8"	10	39.1	13.5	30	24
OF1-1212T	1.3/16" - 12	12	12	20	3/4"	12	44	15	36	30

† Also in Stainless Steel, Product Code Example OF1SS-0606T

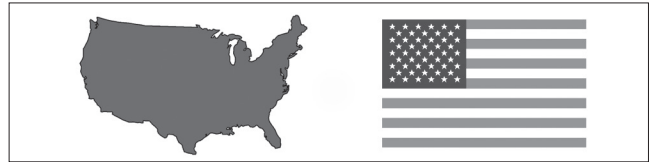
OM1 O-RING FACE SEAL MALE STRAIGHT



Product Code	UN Thread			Hose Bore			Dimensions (mm)		
	Thread	Size	Tube	DN	Inch	Size	A	B	ES
OM1-0404T	9/16" - 18	04	04	6	1/4"	04		9.8	15
OM1-0606T	11/16" - 16	06	06	10	3/8"	06		11.2	19
OM1-0808T	13/16" - 16	08	08	12	1/2"	08		12.8	22
OM1-1008T	1" - 14	10	10	16	1/2"	08		15.5	27

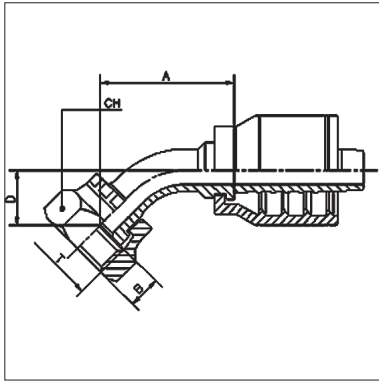
ORFS FITTINGS

ORIGIN: NORTH AMERICA



OF4

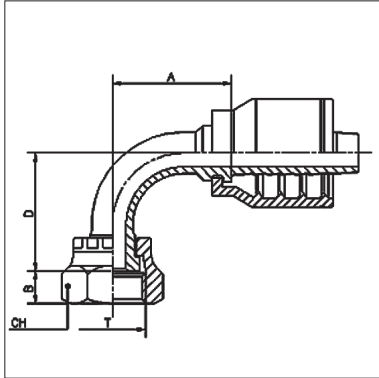
O-RING FACE SEAL FEMALE 45° ELBOW



Product Code	UN Thread			Hose Bore			Dimensions (mm)			
	Thread	Size	Tube	DN	Inch	Size	A	B	D	CH
OF4-0404T	9/16" - 18	04	04	6	1/4"	04	43.5	8	11	19
OF4-0604T	11/16" - 16	06	06	6	1/4"	04	36	9.5	15	22
OF4-0606T	11/16" - 16	06	06	10	3/8"	06	47.5	9.5	15	22
OF4-0806T	13/16" - 16	08	08	10	3/8"	06	43.5	11	15	24
OF4-0808T	13/16" - 16	08	08	12	1/2"	08	56.5	11	14	24
OF4-1010T	1" - 14	10	10	16	5/8"	10	56.5	13.5	21	30
OF4-1212T	1.3/16" - 12	12	12	20	3/4"	12	64.4	14.5	21.5	36

OF9

O-RING FACE SEAL FEMALE 90° ELBOW



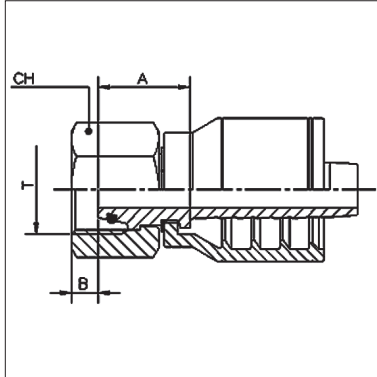
Product Code	UN Thread			Hose Bore			Dimensions (mm)			
	Thread	Size	Tube	DN	Inch	Size	A	B	D	CH
OF9-0404T	9/16" - 18	04	04	6	1/4"	04	29	8	25	19
OF9-0604T	11/16" - 16	06	06	6	1/4"	04	27	9.5	27	22
OF9-0606T	11/16" - 16	06	06	10	3/8"	06	32.5	9.5	28	22
OF9-0806T	13/16" - 16	08	08	10	3/8"	06	33	11	30	24
OF9-0808T	13/16" - 16	08	08	12	1/2"	08	40.5	11	30	24
OF9-1008T	1" - 14	10	10	12	1/2"	08	44	13.5	34	30
OF9-1010T	1" - 14	10	10	16	5/8"	10	49	13.5	41	30

METRIC FITTINGS

ORIGIN: GERMANY



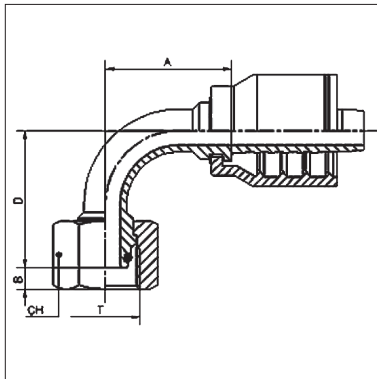
DLF1

DKL (LIGHT) METRIC FEMALE
STRAIGHT

Product Code	Metric Thread			Hose Bore			Dimensions (mm)		
	Thread	Size	Tube	DN	Inch	Size	A	B	CH
DLF1-1204T	M12 x 1.5	12	6 L	6	1/4"	04	20.9	2.6	16
DLF1-1404T	M14 x 1.5	14	8 L	6	1/4"	04	25	1.5	17
DLF1-1605T	M16 x 1.5	16	10 L	08	5/16"	05	26.5	1.5	19
DLF1-1606T †	M16 x 1.5	16	10 L	10	3/8"	06	27.5	1.5	22
DLF1-1806T †	M18 x 1.5	18	12 L	10	3/8"	06	26	1.5	22
DLF1-2206T	M22 x 1.5	22	15 L	10	3/8"	06	27.5	2.5	22
DLF1-2208T	M22 x 1.5	22	15 L	12	1/2"	08	28.5	2.5	27
DLF1-2610T	M26 x 1.5	26	18 L	16	5/8"	10	29	2	32
DLF1-3012T	M30 x 2	30	22 L	20	3/4"	12	29.5	3.5	36
DLF1-3616T	M36 x 2	36	28 L	25	1"	16	30.5	3.5	41

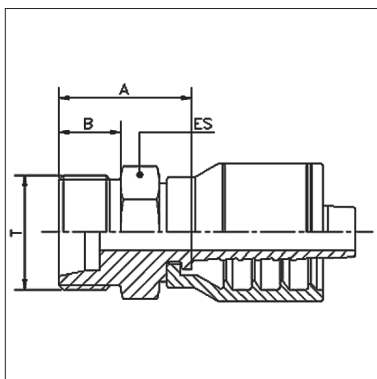
† Also in Stainless Steel, Product Code Example DLF1SS-1806T

DLF9

DKL (LIGHT) METRIC FEMALE
90° ELBOW

Product Code	Metric Thread			Hose Bore			Dimensions (mm)			
	Thread	Size	Tube	DN	Inch	Size	A	B	D	CH
DLF9-2610T	M26 x 1.5	26	18 L	16	5/8"	10	54	2	56	32

DLM1

DKL (LIGHT) METRIC MALE
STRAIGHT

Product Code	Metric Thread			Hose Bore			Dimensions (mm)		
	Thread	Size	Tube	DN	Inch	Size	A	B	ES
DLM1-1204T	M12 x 1.5	12	6 L	6	1/4"	04	22.5	10	14
DLM1-1404T	M14 x 1.5	14	8 L	6	1/4"	04	22.5	10	14
DLM1-1605T	M16 x 1.5	16	10 L	08	5/16"	05	24.5	11	17
DLM1-1606T	M16 x 1.5	16	10 L	10	3/8"	06	24.5	11	17
DLM1-1806T	M18 x 1.5	18	12 L	10	3/8"	06	25	11	19
DLM1-2206T	M22 x 1.5	22	15 L	10	3/8"	06	26	12	22
DLM1-2208T	M22 x 1.5	22	15 L	12	1/2"	08	26.5	12	22
DLM1-2610T	M26 x 1.5	26	18 L	16	5/8"	10	29	12	27
DLM1-3012T	M30 x 2	30	22 L	20	3/4"	12	31.5	14	30
DLM1-3616T	M36 x 2	36	28 L	25	1"	16	33.5	14	36

This page is part of a complete catalog containing technical and safety data.
All data must be reviewed when selecting a product.
PIRTEK reserves the right to change technical specifications without notice.

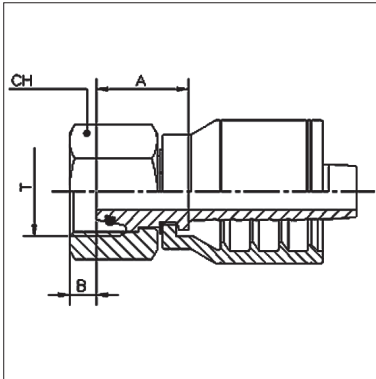
METRIC FITTINGS

ORIGIN: GERMANY



DSF1

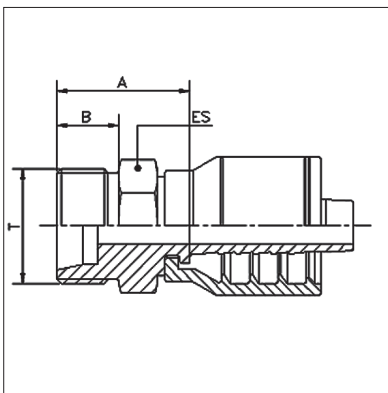
DKS (HEAVY) METRIC FEMALE
STRAIGHT



Product Code	Metric Thread			Hose Bore			Dimensions (mm)		
	Thread	Size	Tube	DN	Inch	Size	A	B	CH
DSF1-1604T	M16 x 1.5	16	8 S	6	1/4"	04	26.5	2.5	19
DSF1-1804T	M18 x 1.5	18	10 S	6	1/4"	04	28	2	22
DSF1-2005T	M20 x 1.5	20	12 S	8	5/16"	05	27	2	24
DSF1-2006T	M20 x 1.5	20	12 S	10	3/8"	06	25.5	2	24
DSF1-2206T	M22 x 1.5	22	14 S	10	3/8"	06	28.5	4	27
DSF1-2408T	M24 x 1.5	24	16 S	12	1/2"	08	32	3	30
DSF1-3612T	M36 x 2	36	25 S	20	3/4"	12	39.5	3	46

DSM1

DKS (HEAVY) METRIC MALE
STRAIGHT



Product Code	Metric Thread			Hose Bore			Dimensions (mm)		
	Thread	Size	Tube	DN	Inch	Size	A	B	ES
DSM1-1604T	M16 x 1.5	16	8 S	6	1/4"	04	26	12	17
DSM1-1804T	M18 x 1.5	18	10 S	6	1/4"	04	26	12	19
DSM1-2006T	M20 x 1.5	20	12 S	10	3/8"	06	26	12	22
DSM1-2206T	M22 x 1.5	22	14 S	10	3/8"	06	28	14	22
DSM1-2408T	M24 x 1.5	24	16 S	12	1/2"	08	28.5	14	24
DSM1-3612T	M36 x 2	36	25 S	20	3/4"	12	36.5	18	36

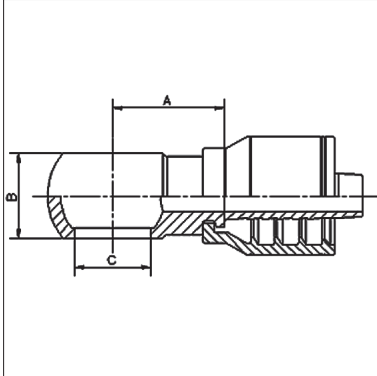
METRIC FITTINGS

ORIGIN: GERMANY



BM1

METRIC BANJO STRAIGHT

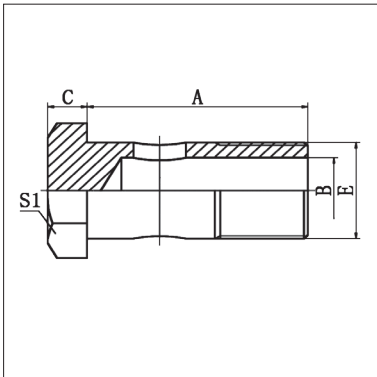


Product Code	Banjo		Nominal ID			Dimensions mm		
	Bolt	Size	DN	Inch	Size	A	C	B
KBM1-1003T †	M10 x 1	10	5	3/16"	03	25	10	10
BM1-1003T	M10 x 1	10	5	3/16"	03	21	10	10
BM1-1004T	M10 x 1	10	6	1/4"	04	22	10	10
BM1-1204T	M12 x 1.5	12	6	1/4"	04	21	12	12
BM1-1406T	M14 x 1.5	14	10	3/8"	06	24	14	14
BM1-1606T	M16 x 1.5	16	10	3/8"	06	24	16	18

† Used in the replacement of Komatsu tube assemblies 195-22-12340 and 195-22-22380

BMB

METRIC BANJO BOLT



Product Code	Metric Thread		To Suit Hose Bore			Dimension (mm)				
	E	Size	DN	Inch	Size	A	B	C	S1	E
BMB-10	M10 x 1	10	05	3/16"	03	22	4	5	15	10
BMB-12	M12 x 1.5	12	06	1/4"	04	24	6	6	17	12
BMB-14	M14 x 1.5	14	10	3/8"	06	26	8	7	19	14
BMB-16	M16 x 1.5	16	10	3/8"	06	28	9	7.5	22	16
BMB-18	M18 x 1.5	18	10, 12	3/8", 1/2"	06, 08	32	11	8	24	18
BMB-22	M22 x 1.5	22	16	5/8"	10	39	14	9	27	22
BMB-26	M26 x 1.5	26	20	3/4"	12	45	18	10	32	26

JAPANESE FITTINGS

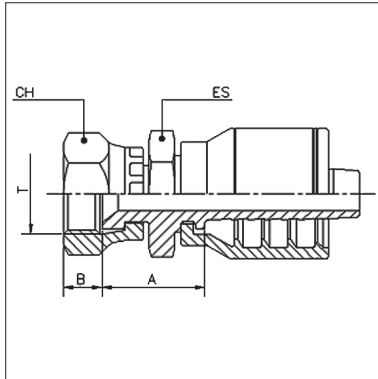
ORIGIN: JAPAN



JBF1

JIS BSPP

FEMALE STRAIGHT (MITSUBISHI)

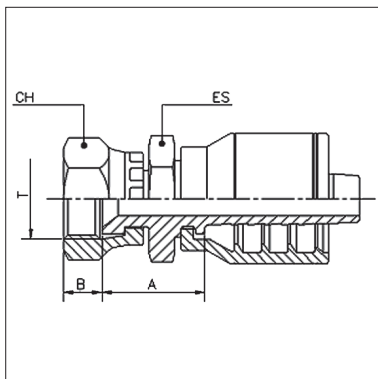


Product Code	Thread			Hose Bore			Dimensions (mm)			
	BSPP	Size	Pipe	DN	Inch	Size	A	B	CH	ES
JBF1-0404T	1/4" - 19	04	1/4"	06	1/4"	04	21	8	19	19
JBF1-0606T	3/8" - 19	06	3/8"	10	3/8"	06	22	9.5	22	19
JBF1-0808T	1/2" - 14	08	1/2"	12	1/2"	08	24.9	11	27	22
JBF1-1010T	5/8" - 14	10	5/8"	16	5/8"	10				

JMF1

JIS METRIC

FEMALE STRAIGHT (KOMATSU)



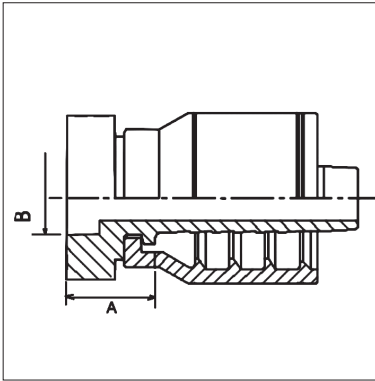
Product Code	Thread			Hose Bore			Dimensions (mm)			
	Metric	Size	Pipe	DN	Inch	Size	A	B	CH	ES
JMF1-1204T	M12 x 1.5	12	12	06	1/4"	04	22.5	8.7	17	14
JMF1-1404T	M14 x 1.5	14	14	06	1/4"	04	24	10	19	19
JMF1-1406T	M14 x 1.5	14	14	10	3/8"	06	25	10	19	19
JMF1-1606T	M16 x 1.5	16	16	10	3/8"	06	23.2	9.3	22	19
JMF1-1806T	M18 x 1.5	18	18	10	3/8"	08	24	11.5	24	19
JMF1-2006T	M20 x 1.5	20	20	10	3/8"	06	25.3	11.2	27	19
JMF1-2206T	M22 x 1.5	22	22	10	3/8"	06	25.5	14	27	19
JMF1-2208T	M22 x 1.5	22	22	12	1/2"	08	27	14	27	22
JMF1-2408T	M24 x 1.5	24	24	12	1/2"	08	28.4	15.1	32	24
JMF1-2410T	M24 x 1.5	24	24	16	5/8"	10	28.4	15.1	32	24
JMF1-2412T	M24 x 1.5	24	24	20	3/4"	12	29.9	15.1	32	27
JMF1-3012T	M30 x 1.5	30	30	20	3/4"	12	33.2	18.3	36	30
JMF1-3312T	M33 x 1.5	33	33	20	3/4"	12	32.2	21.3	41	32

MISCELLANEOUS FITTINGS

WELD ON

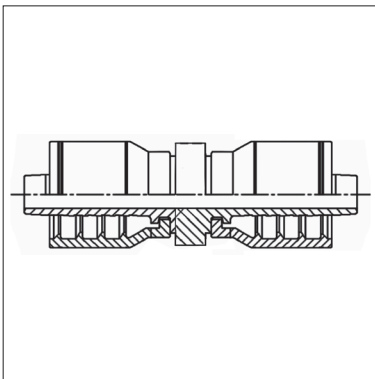


WO1

WELD ON STRAIGHT TAIL
(LIFESAVER)

Product Code	Flange			Hose Bore			Dimensions (mm)	
	Bore	Size	ø ins.	DN	Inch	Size	A	ø B
WO1-0404T	04	04	1/4"	06	1/4"	04	14.5	6.5
WO1-0606T	06	06	3/8"	10	3/8"	06	10.5	9.55
WO1-0808T	08	08	1/2"	12	1/2"	08	17	12.85
WO1-1010T	10	10	5/8"	16	5/8"	10	17	16
WO1-1212T	12	12	3/4"	20	3/4"	12	18.5	19.2
WO1-1616T	16	16	1"	25	1"	16	22.5	25.6

HJ1

HOSE JOINER
CRIMP STYLE

Product Code	Hose Tail			Hose Tail			Dimensions (mm)		
	DN	Inch	Size	DN	Inch	Size	A	L	d
HJ1-0404T	06	1/4"	04	06	1/4"	04	8.4	48	4.3
HJ1-0505T	08	5/16"	05	08	5/16"	05	12	67.9	5.5
HJ1-0606T	10	3/8"	06	10	3/8"	06	8.4	52.4	7.6

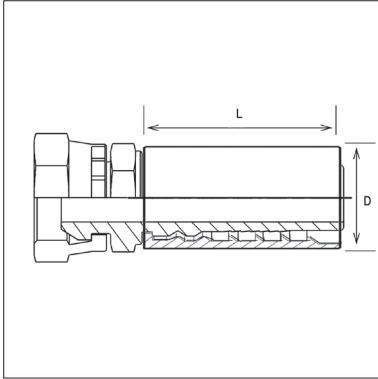
FERRULES

ORIGIN: N/A



IF13

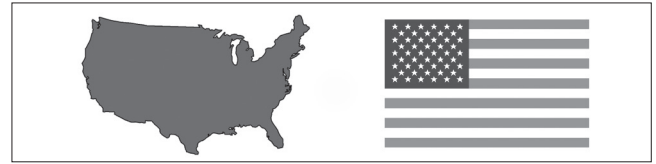
INTERLOCK FERRULES



Product Code	To Suit Hose	Hose Bore			Dimension (mm)	
		DN	Inch	Size	L	Ø D
IF13-12I	C35, C42, 100 CS5	20	3/4"	12	60	38
IF13-16I	C35, C42, 100 CS5	25	1"	16	74.5	46
IF13-20I	C35, C42, 100 CS5	32	1.1/4"	20	88	60
IF13-24I	C35, C42, 100 CS5	38	1.1/2"	24	94	67
IF13-32I	C35, C42, 100 CS5	50	2"	32	99	84.5

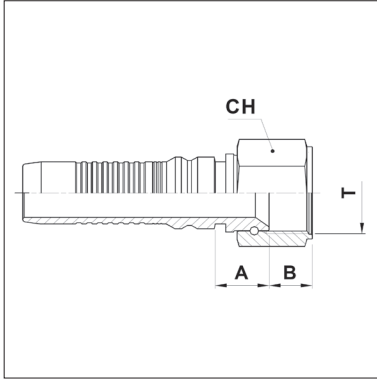
JIC FITTINGS

ORIGIN: NORTH AMERICA



JF1

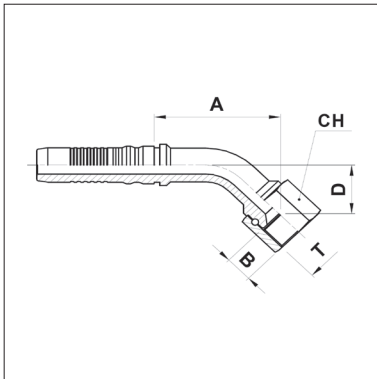
JIC FEMALE STRAIGHT



Product Code	JIC Thread			Hose Bore			Dimensions (mm)		
	Thread T	Size	Tube	DN	Inch	Size	A	B	CH
JF1-1212I	1.1/16" - 12	17	12	20	3/4"	12	19.5	13.8	32
JF1-1616I	1.5/16" - 12	21	16	25	1"	16	21	16	38
JF1-2020I	1.5/8" - 12	26	20	32	1.1/4"	20	25.3	16	50

JF4

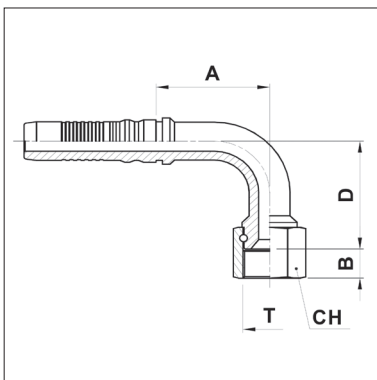
JIC FEMALE 45° ELBOW



Product Code	JIC Thread			Hose Bore			Dimensions (mm)			
	Thread T	Size	Tube	DN	Inch	Size	A	B	CH	D
JF4-1212I	1.1/16" - 12	17	12	20	3/4"	12	73.5	13.8	32	31
JF4-1616I	1.5/16" - 12	21	16	25	1"	16	82	16	38	42
JF4-2020I	1.5/8" - 12	26	20	32	1.1/4"	20	94.7	16	50	36.3

JF9

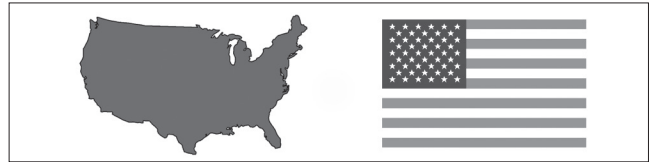
JIC FEMALE 90° ELBOW



Product Code	JIC Thread			Hose Bore			Dimensions (mm)			
	Thread T	Size	Tube	DN	Inch	Size	A	B	CH	D
JF9-1212I	1.1/16" - 12	17	12	20	3/4"	12	59.2	13.8	32	59
JF9-1616I	1.5/16" - 12	21	16	25	1"	16	68	16	38	77
JF9-2020I	1.5/8" - 12	26	20	32	1.1/4"	20	79.7	16	50	77

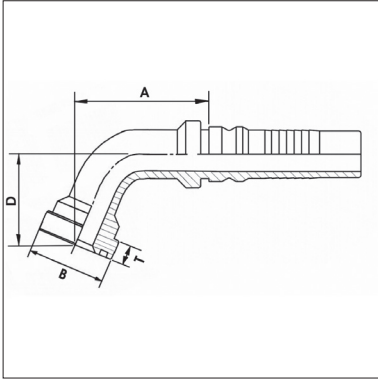
SAE FLANGES

ORIGIN: NORTH AMERICA



C616

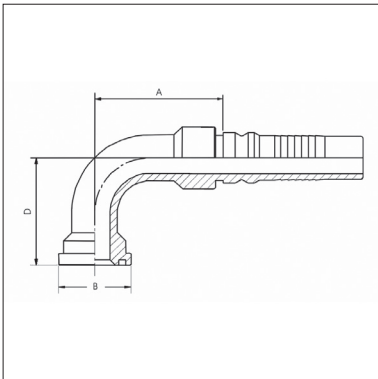
3000 PSI CODE 61
60° ELBOW FLANGE



Product Code	Flange			Hose Bore			Dimensions (mm)		
	Bore	Size	ø ins.	DN	Inch	Size	A	øB	D
C616-3232I	2"	32	2.13/16"	50	2"	32	195.5	71.4	75

C619

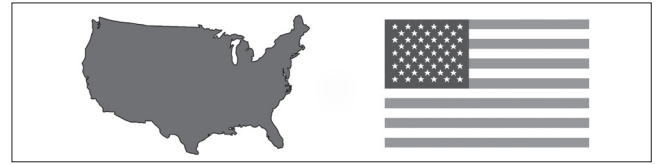
3000 PSI CODE 61
90° ELBOW FLANGE



Product Code	Flange			Hose Bore			Dimensions (mm)		
	Bore	Size	ø ins.	DN	Inch	Size	A	øB	D
C619-2020I	1.1/4"	20	2"	32	1.1/4"	20	83.7	50.8	69.2
C619-3232I	2"	32	2.13/16"	50	2"	32	145	71.4	123

SAE FLANGES

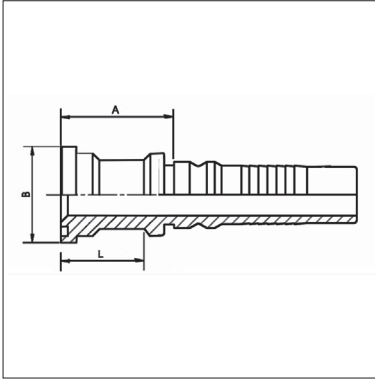
ORIGIN: NORTH AMERICA



C621 / C621L

6000 PSI CODE 62

STANDARD AND EHTENDED STRAIGHT FLANGES



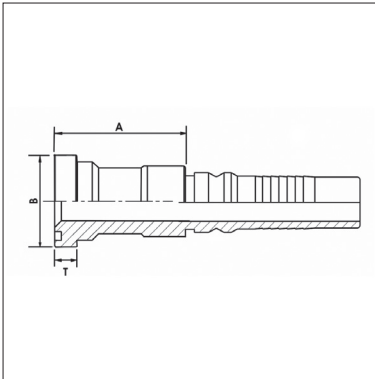
Product Code	Flange			Hose Bore			Dimensions (mm)		
	Bore	Size	ø ins.	DN	Inch	Size	A	øB	L
C621-1616I	1"	16	1.7/8"	25	1"	16	57.5	47.6	-
C621-2016I	1.1/4"	20	2.1/8"	25	1"	16	64.5	54	-
C621-2020I	1.1/4"	20	2.1/8"	32	1.1/4"	20	67.2	54	-
C621-2420I	1.1/2"	24	2.1/2"	32	1.1/4"	20	73.2	63.5	-
C621-2424I	1.1/2"	24	2.1/2"	38	1.1/2"	24	73	63.5	-
C621-3224I	2"	32	3.1/8"	38	1.1/2"	24	82	79.4	-
C621-3232I	2"	32	3.1/8"	50	2"	32	83.5	79.4	-
C621BS-3232I	2"	32	3.1/8"	50	2"	32	100	79.4	-
C621EH-3232I †	2"	32	3.1/8"	50	2"	32	92.3	79.4	-
EHTENDED NECK FLANGES									
C621L-2020I-090	1.1/4"	20	2.1/8"	32	1.1/4"	20	95.2	54	90
C621L-2424I-100	1.1/2"	24	2.1/2"	38	1.1/2"	24	105.5	63.5	100

† Use of Hose Guard and Boot EHG-032 and EHB-032 is recommended in conjunction. See page G76
 These Extra Heavy fittings require also Ferrule IFEH-32I and 2 O-Rings YEH-32 (as a seal on the tail)

C621C

6000 PSI SUPERCAT

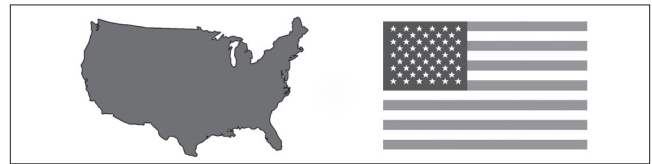
STRAIGHT SUPERCAT FLANGE



Product Code	Flange			Hose Bore			Dimensions (mm)		
	Bore	Size	ø ins.	DN	Inch	Size	A	øB	T
C621C-2020I	1.1/4"	20	2.1/8"	32	1.1/4"	20	71.4	54	14.2
C621C-2420I	1.1/2"	24	2.1/2"	32	1.1/4"	20	75.2	63.5	14.2
C621C-2424I	1.1/2"	24	2.1/2"	38	1.1/2"	24	75	63.5	14.2

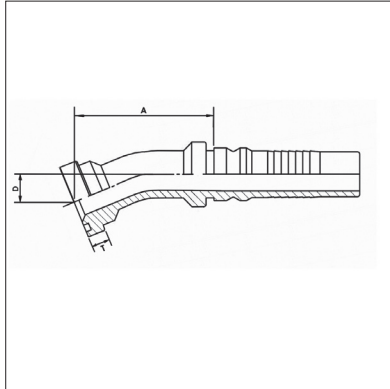
SAE FLANGES

ORIGIN: NORTH AMERICA



C622

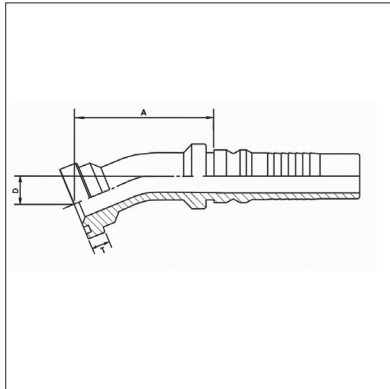
6000 PSI CODE 62
20° ELBOW FLANGE



Product Code	Flange			Hose Bore			Dimensions (mm)			
	Bore	Size	ø ins.	DN	Inch	Size	A	øB	T	D
C622-2424I	1.1/2"	24	2.1/2"	38	1.1/2"	24	-	63.5	12.6	-
C622-3232I	2"	32	3.1/8"	50	2"	32	83.5	79.4	12.6	21

C622C

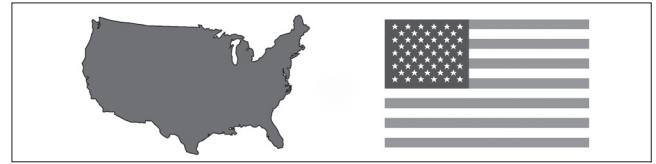
6000 PSI SUPERCAT
22° ELBOW SUPERCAT FLANGE



Product Code	Flange			Hose Bore			Dimensions (mm)			
	Bore	Size	ø ins.	DN	Inch	Size	A	øB	T	D
C622C-2020I	1.1/4"	20	2.1/8"	32	1.1/4"	20	129.7	54	14.2	21

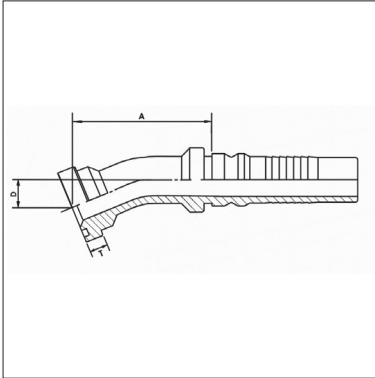
SAE FLANGES

ORIGIN: NORTH AMERICA



C623C

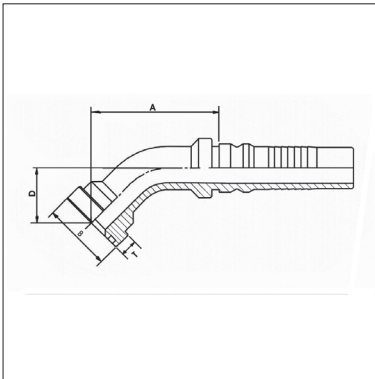
6000 PSI SUPERCAT
30° ELBOW SUPERCAT FLANGE



Product Code	Flange			Hose Bore			Dimensions (mm)			
	Bore	Size	ø ins.	DN	Inch	Size	A	øB	T	D
C623C-1212I	3/4"	12	1.5/8"	20	3/4"	12	79	41.3	14.2	22
C623C-1612I	1"	16	1.7/8"	20	3/4"	12	83	47.6	14.2	26
C623C-1616I	1"	16	1.7/8"	25	1"	16	85.5	47.6	14.2	21
C623C-2016I	1.1/4"	20	2.1/8"	25	1"	16	99.5	54	14.2	29
C623C-2020I	1.1/4"	20	2.1/8"	32	1.1/4"	20	119	54	14.2	30.5
C623C-2420I	1.1/2"	24	2.1/2"	32	1.1/4"	20	124.7	63.5	14.2	30
C623C-2424I	1.1/2"	24	2.1/2"	38	1.1/2"	24	133	63.5	14.2	29.5

C624

6000 PSI CODE 62
45° ELBOW FLANGE

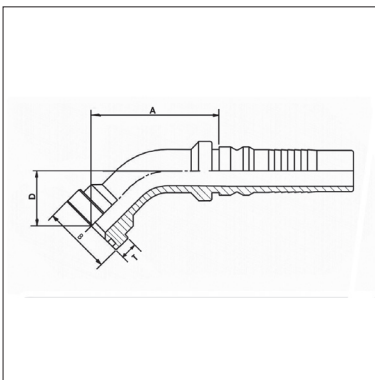


Product Code	Flange			Hose Bore			Dimensions (mm)			
	Bore	Size	ø ins.	DN	Inch	Size	A	øB	T	D
C624-1616I	1"	16	1.7/8"	25	1"	16	79	47.6	9.53	31
C624-2016I	1.1/4"	20	2.1/8"	25	1"	16	92	54	10.29	39
C624-2020I	1.1/4"	20	2.1/8"	32	1.1/4"	20	111	54	10.29	43.5
C624-2420I	1.1/2"	24	2.1/2"	32	1.1/4"	20	112	63.5	12.57	48
C624-2424I	1.1/2"	24	2.1/2"	38	1.1/2"	24	122	63.5	12.57	47
C624-3224I	2"	32	3.1/8"	38	1.1/2"	24	133.5	79.4	12.57	57
C624-3232I	2"	32	3.1/8"	50	2"	32	164.6	79.4	12.57	60
C624BS-3232I-065	2"	32	3.1/8"	50	2"	32	162	79.4	12.57	65
C624EHL-3232I-069 †	2"	32	3.1/8"	50	2"	32	189.2	79.4	12.57	69

† Use of Hose Guard and Boot EHG-032 and EHB-032 is recommended in conjunction. See page G76
These Extra Heavy fittings require also Ferrule IFEH-32I and 2 O-Rings YEH-32 (as a seal on the tail)

C624C

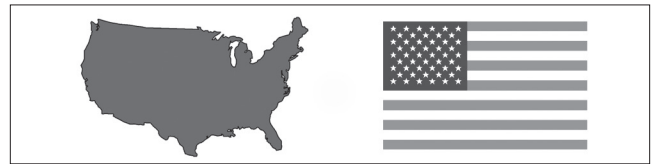
6000 PSI SUPERCAT
45° ELBOW SUPERCAT FLANGE



Product Code	Flange			Hose Bore			Dimensions (mm)			
	Bore	Size	ø ins.	DN	Inch	Size	A	øB	T	D
C624C-2420I	1.1/2"	24	2.1/2"	32	1.1/4"	20	114	63.5	14.2	45.2
C624C-2424I	1.1/2"	24	2.1/2"	38	1.1/2"	24	123	63.5	14.2	48

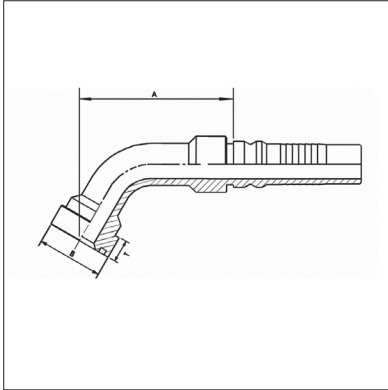
SAE FLANGES

ORIGIN: NORTH AMERICA



C626

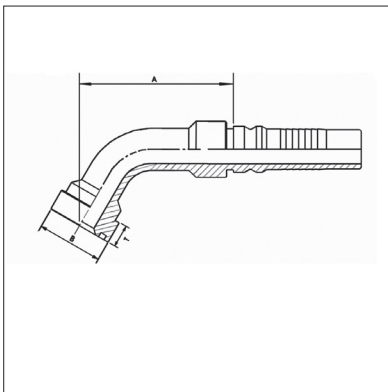
6000 PSI CODE 62
60° ELBOW FLANGE



Product Code	Flange			Hose Bore			Dimensions (mm)		
	Bore	Size	ø ins.	DN	Inch	Size	A	øB	D
C626-2020I	1.1/4"	20	2.1/8"	32	1.1/4"	20	108	54	55
C626-2424I	1.1/2"	24	2.1/2"	38	1.1/2"	24	136	63.5	68

C626C

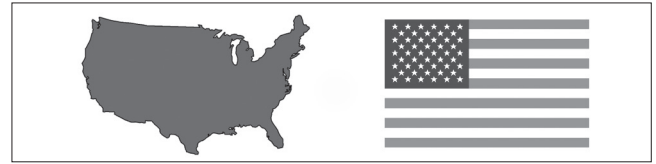
6000 PSI SUPERCAT
60° ELBOW SUPERCAT FLANGE



Product Code	Flange			Hose Bore			Dimensions (mm)			
	Bore	Size	ø ins.	DN	Inch	Size	A	øB	T	D
C626C-1212I	3/4"	12	1.5/8"	20	3/4"	12	81	41.3	14.2	50
C626C-1612I	1"	16	1.7/8"	20	3/4"	12	85	47.6	14.2	51
C626C-1616I	1"	16	1.7/8"	25	1"	16	109.5	47.6	14.2	59
C626C-2016I	1.1/4"	20	2.1/8"	25	1"	16	110.5	54	14.2	59.5
C626C-2020I	1.1/4"	20	2.1/8"	32	1.1/4"	20	124.7	54	14.2	61
C626C-2420I	1.1/2"	24	2.1/2"	32	1.1/4"	20	132.2	63.5	14.2	65.5
C626C-2424I	1.1/2"	24	2.1/2"	38	1.1/2"	24	154.5	63.5	14.2	65

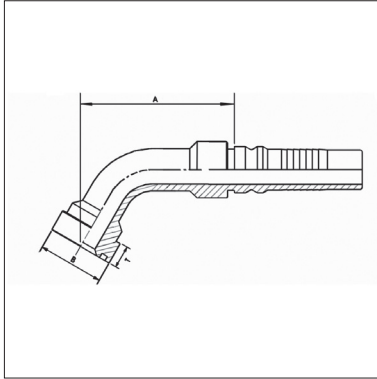
SAE FLANGES

ORIGIN: NORTH AMERICA



C627C

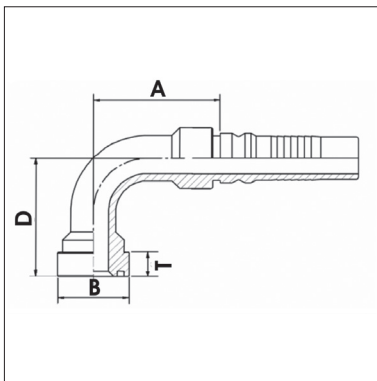
6000 PSI SUPERCAT
67° ELBOW SUPERCAT FLANGE



Product Code	Flange			Hose Bore			Dimensions (mm)			
	Bore	Size	ø ins.	DN	Inch	Size	A	øB	T	D
C627C-1616I	1"	16	1.7/8"	25	1"	16	108.5	47.6	14.2	60
C627C-2020I	1.1/4"	20	2.1/8"	32	1.1/4"	20	123.5	54	14.2	63

C629 / C629L

6000 PSI CODE 62
STANDARD AND LONG DROP 90° ELBOW FLANGES

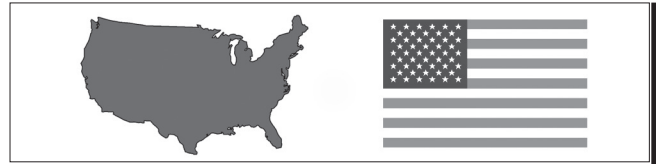


Product Code	Flange			Hose Bore			Dimensions (mm)			
	Bore	Size	ø ins.	DN	Inch	Size	A	øB	T	D
C629-1616I	1"	16	1.7/8"	25	1"	16	73	47.6	9.53	66
C629-2016I	1.1/4"	20	2.1/8"	25	1"	16	76	54	10.29	80
C629-2020I	1.1/4"	20	2.1/8"	32	1.1/4"	20	97	54	10.29	86
C629-2420I	1.1/2"	24	2.1/2"	32	1.1/4"	20	99.5	63.5	12.57	97
C629-2024I	1.1/4"	20	2.1/8"	38	1.1/2"	24		54	10.29	86
C629-2424I	1.1/2"	24	2.1/2"	38	1.1/2"	24	108.5	63.5	12.57	104
C629-3224I	2"	32	3.1/8"	38	1.1/2"	24	115.5	79.4	12.57	119.5
C629-3232I	2"	32	3.1/8"	50	2"	32	145	79.4	12.57	134
C629BS-3232I-155	2"	32	3.1/8"	50	2"	32	143	79.4	12.57	155
C629EHL-3232I-150 †	2"	32	3.1/8"	50	2"	32	173.2	79.4	12.57	150
LONG DROP ELBOWS										
C629L-2020I-100	1.1/4"	20	2.1/8"	32	1.1/4"	20	97.7	54	10.29	100
C629L-2020I-150	1.1/4"	20	2.1/8"	32	1.1/4"	20	97.7	54	10.29	150

† Use of Hose Guard and Boot **EHG-032** and **EHB-032** is recommended in conjunction. See page G76
These Extra Heavy fittings require also Ferrule **IFEH-32I** and 2 O-Rings **YEH-32** (as a seal on the tail)

SAE FLANGES

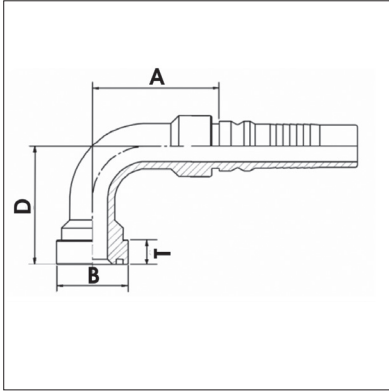
ORIGIN: NORTH AMERICA



INTERLOCK

C629C

6000 PSI SUPERCAT
90° ELBOW SUPERCAT FLANGE

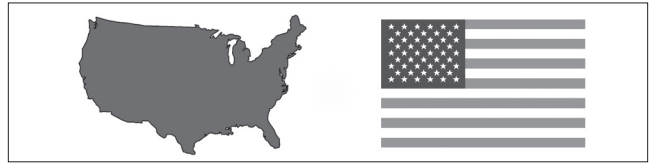


Product Code	Flange			Hose Bore			Dimensions (mm)			
	Bore	Size	ø ins.	DN	Inch	Size	A	øB	T	D
C629C-2020I	1.1/4"	20	2.1/8"	32	1.1/4"	20	97	54	14.2	90
C629C-2420I	1.1/2"	24	2.1/2"	32	1.1/4"	20	99.9	63.5	14.2	99
C629C-2424I	1.1/2"	24	2.1/2"	38	1.1/2"	24	108.5	63.5	14.2	106

CODE 62 FLANGES

SAE FLANGES

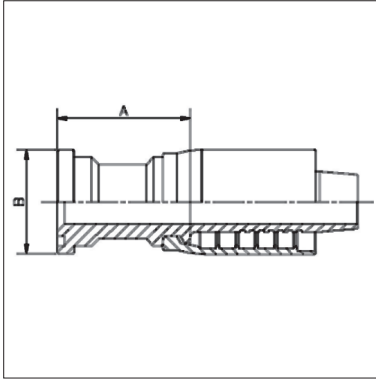
ORIGIN: NORTH AMERICA



93200 / 93400 / 95400

3000 PSI CODE 61

STRAIGHT FLANGE

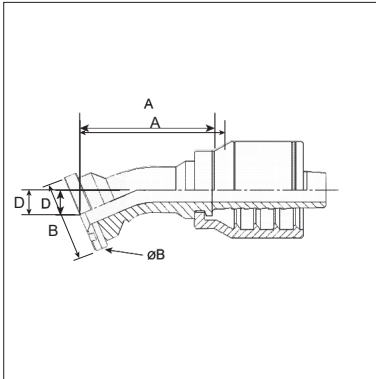


Product Code	Flange			Hose Bore			Dimensions (mm)	
	Bore	Size	ø ins.	DN	Inch	Size	A	øB
932003240	2½"	40	3.5/16"	50	2"	32	152	84.1
954004040	2½"	40	3.5/16"	62	2½"	40	81	84.1
954004048	3"	48	4"	62	2½"	40	84	101.6
934004848	3"	48	4"	76	3"	48	65	101.6

95402

3000 PSI CODE 61

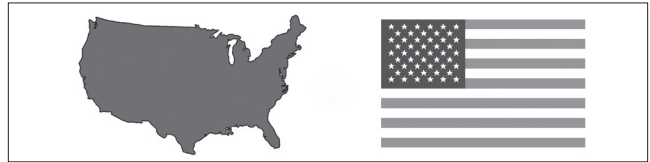
22½° ELBOW FLANGE



Product Code	Flange			Hose Bore			Dimensions (mm)		
	Bore	Size	ø ins.	DN	Inch	Size	A	øB	D
954024040	2½"	40	3.5/16"	62	2½"	40	113	84.1	18
954024048	3"	48	4"	62	2½"	40	115	101.6	16

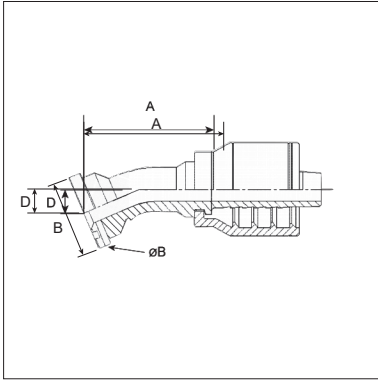
SAE FLANGES

ORIGIN: NORTH AMERICA



93403 / 95403

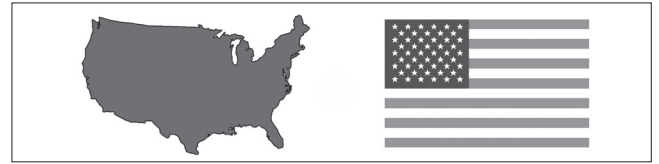
3000 PSI CODE 61
30° ELBOW FLANGE



Product Code	Flange			Hose Bore			Dimensions (mm)		
	Bore	Size	ø ins.	DN	Inch	Size	A	øB	D
954034040	2½"	40	3.5/16"	62	2½"	40	122	84.1	27
954034048	3"	48	4"	62	2½"	40	123	101.6	27
934034848	3"	48	4"	76	3"	48	171	101.6	39

SAE FLANGES

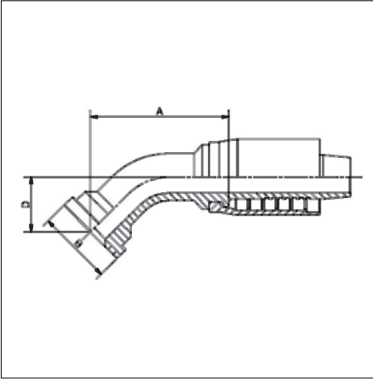
ORIGIN: NORTH AMERICA



93204 / 93404 / 95404

3000 PSI CODE 61

45° ELBOW FLANGE

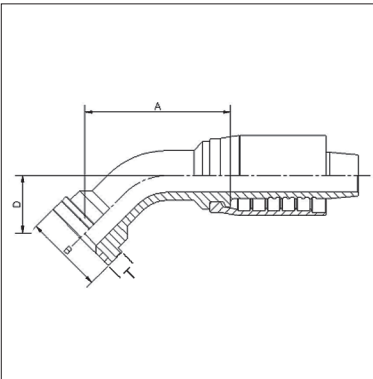


Product Code	Flange			Hose Bore			Dimensions (mm)		
	Bore	Size	ø ins.	DN	Inch	Size	A	øB	D
954044040	2½"	40	3.5/16"	62	2½"	40	136	84.1	47
954044048	3"	48	4"	62	2½"	40	137	101.6	47
934044848	3"	48	4"	76	3"	48	187	101.6	67

93406 / 95406

3000 PSI CODE 61

60° ELBOW FLANGE

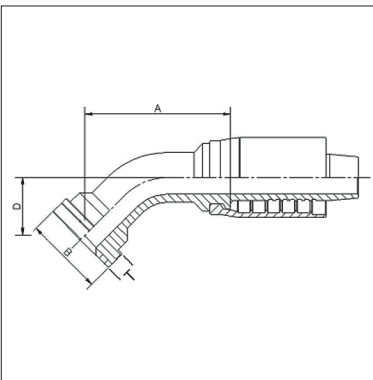


Product Code	Flange			Hose Bore			Dimensions (mm)		
	Bore	Size	ø ins.	DN	Inch	Size	A	øB	D
954064040	2½"	40	3.5/16"	62	2½"	40	169	84.1	71
954064048	3"	48	4"	62	2½"	40	168	101.6	71
934064848	3"	48	4"	76	3"	48	193	101.6	96

95407

3000 PSI CODE 61

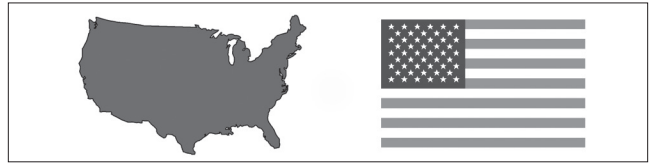
67½° ELBOW FLANGE



Product Code	Flange			Hose Bore			Dimensions (mm)		
	Bore	Size	ø ins.	DN	Inch	Size	A	øB	D
954074040	2½"	40	3.5/16"	62	2½"	40	158	84.1	83
954074048	3"	48	4"	62	2½"	40	158	101.6	83

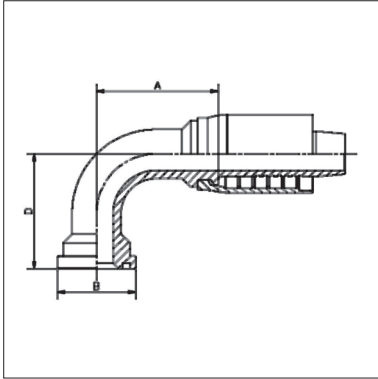
SAE FLANGES

ORIGIN: NORTH AMERICA



93409 / 95409

3000 PSI CODE 61
90° ELBOW FLANGE



Product Code	Flange			Hose Bore			Dimensions (mm)		
	Bore	Size	ø ins.	DN	Inch	Size	A	øB	D
954094040	2½"	40	3.5/16"	62	2½"	40	141	84.1	119
954094048	3"	48	4"	62	2½"	40	141	101.6	119
934094848	3"	48	4"	76	3"	48	201	101.6	162

934 / 954 LARGE BORE

CODE 61 FLANGES

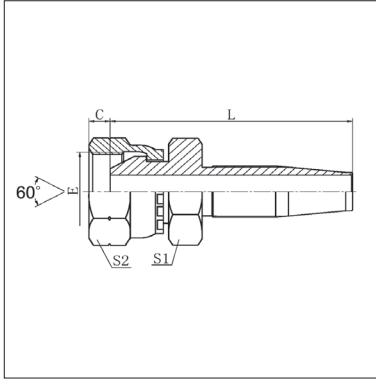
BSP

ORIGIN: GREAT BRITAIN



BF1

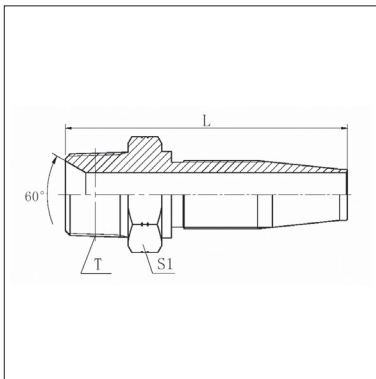
BSPP FEMALE STRAIGHT
(FERRULE SUPPLIED)



Product Code	BSPP Thread			100R5 Bore			Dimensions mm			
	T	Size	Pipe	DN	Inch	Size	L	C	S1	S2
BF1-0404A	1/4" - 19	04	1/4"	5	3/16"	04	44	5.5	14	19
BF1-0606A	3/8" - 19	06	3/8"	8	5/16"	06	52.5	6.3	17	22
BF1-0808A	1/2" - 14	08	1/2"	10	13/32"	08	61	7.5	19	27
BF1-1212A	3/4" - 14	12	3/4"	16	5/8"	12	78	10.9	27	32
BF1-1616A	1" - 11	16	1"	22	7/8"	16	68.5	11.7	32	41
BF1-2020A	1.1/4" - 11	20	1 1/4"	32	1.1/8"	20	-	-	-	-
BF1-2424A	1.1/2" - 11	24	1 1/2"	38	1.3/8"	24	-	-	-	-
BF1-3232A	2" - 11	32	2"	50	1.13/16"	32	-	-	-	-

BTM1

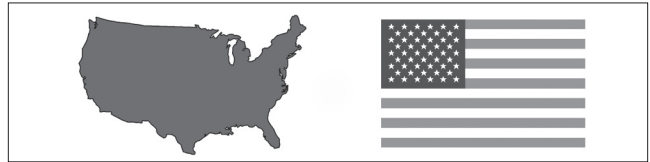
BSPT MALE STRAIGHT
(FERRULE SUPPLIED)



Product Code	BSPT Thread			100R5 Bore		
	T	Size	Pipe	DN	Inch	Size
BTM1-0404A	1/4" - 19	04	1/4"	5	3/16"	04
BTM1-0606A	3/8" - 19	06	3/8"	8	5/16"	06
BTM1-0808A	1/2" - 14	08	1/2"	10	13/32"	08
BTM1-1212A	3/4" - 14	12	3/4"	16	5/8"	12
BTM1-1616A	1" - 11	16	1"	22	7/8"	16

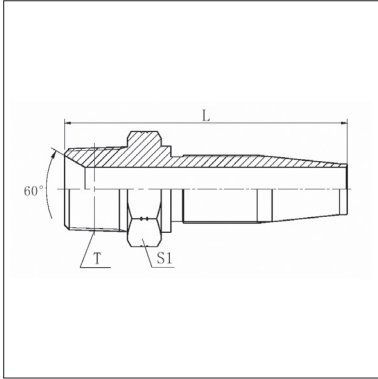
NPT

ORIGIN: NORTH AMERICA



NM1

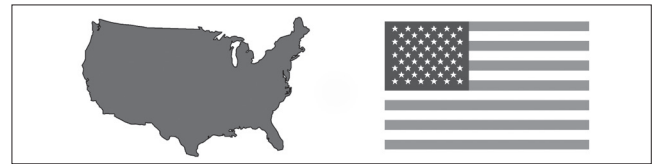
NPT MALE STRAIGHT
(FERRULE SUPPLIED)



Product Code	NPT Thread			100R5 Bore			Dimensions mm	
	T	Size	Pipe	DN	Inch	Size	L	S1
NM1-0204A	1/8" - 27	02	1/8"	5	3/16"	04	45.5	12
NM1-0404A	1/4" - 18	04	1/4"	5	3/16"	04	50	17
NM1-0405A	1/4" - 18	04	1/4"	6	1/4"	05	49.8	17
NM1-0406A	1/4" - 18	04	1/4"	8	5/16"	05	-	17
NM1-0606A	3/8" - 18	06	3/8"	8	5/16"	06	58	19
NM1-0808A	1/2" - 14	08	1/2"	10	13/32"	08	69.3	-
NM1-1212A	3/4" - 14	12	3/4"	16	5/8"	12	72.5	30
NM1-1616A	1" - 11.5	16	1"	22	7/8"	16	79.5	36
NM1-2020A	1.1/4" - 11.5	20	1.1/4"	28	1.1/8"	20	87.5	46
NM1-2424A	1.1/2" - 11.5	24	1.1/2"	35	1.3/8"	24	93.5	50

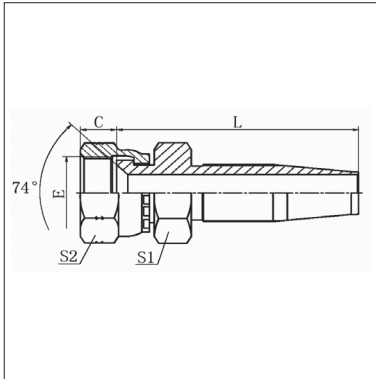
JIC FITTINGS

ORIGIN: NORTH AMERICA



JF1

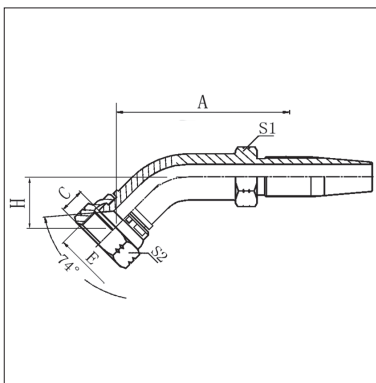
JIC FEMALE STRAIGHT
(FERRULE SUPPLIED)



Product Code	JIC Thread			Hose Bore			Dimensions (mm)			
	Thread	Size	Tube	DN	Inch	Size	L	C	S1	S2
JF1-0404A	7/16" - 20	04	04	5	3/16"	04	40	9	14	17
JF1-0505A	1/2" - 20	05	05	6	1/4"	05	45	9.5	14	17
JF1-0606A	9/16" - 18	06	06	8	5/16"	06	49	10.5	17	19
JF1-0808A	3/4" - 16	08	08	10	13/32"	08	60	11	22	24
JF1-0810A	3/4" - 16	08	08	12	1/2"	10	65	11	27	24
JF1-1010A	7/8" - 14	10	10	12	1/2"	10	66.5	13	27	27
JF1-1212A	1.1/16" - 12	12	12	16	5/8"	12	77	15	32	32
JF1-1616A	1.5/16" - 12	16	16	22	7/8"	16	64	16	38	41
JF1-2020A	1.5/8" - 12	20	20	28	1.1/8"	20	76.5	17	41	50
JF1-2424A	1.7/8" - 12	24	24	35	1.3/8"	24	79.5	20	46	55
JF1-3232A	2.1/2" - 12	32	32	46	1.13/16"	32	95	23.5	65	75

JF4

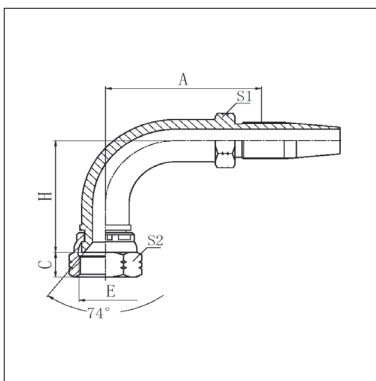
JIC FEMALE 45° ELBOW (FERRULE SUPPLIED)



Product Code	JIC Thread			Hose Bore			Dimensions (mm)				
	Thread	Size	Tube	DN	Inch	Size	A	C	H	S1	S2
JF4-0404A	7/16" - 20	04	04	5	3/16"	04	27.9	9	8.4	14	15
JF4-0606A	9/16" - 18	06	06	8	5/16"	06	33.8	-	9.9	-	-
JF4-0808A	3/4" - 16	08	08	10	13/32"	08	46.7	11	14.0	19	24
JF4-1010A	7/8" - 14	10	10	12	1/2"	10	49.5	13	16.3	24	27
JF4-1212A	1.1/16" - 12	12	12	16	5/8"	12	56.1	-	19.8	-	-
JF4-1616A	1.5/16" - 12	16	16	22	7/8"	16	62.7	16	27.2	32	41

JF9 / JFL9

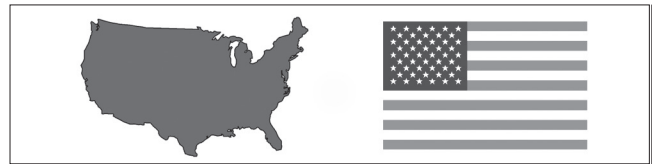
JIC FEMALE 90° ELBOW (FERRULE SUPPLIED)



Product Code	JIC Thread			Hose Bore			Dimensions (mm)				
	Thread	Size	Tube	DN	Inch	Size	A	C	H	S1	S2
JF9-0404A	7/16" - 20	04	04	5	3/16"	04	25.1	9	17.3	14	15
JF9-0505A	1/2" - 20	05	05	6	1/4"	05	30.0	9.5	19.6	14	17
JF9-0606A	9/16" - 18	06	06	8	5/16"	06	31.2	-	21.6	-	-
JFL9-0606A	9/16" - 18	06	06	8	5/16"	06	31.2	-	55.4	-	-
JF9-0808A	3/4" - 16	08	08	10	13/32"	08	40.9	11	27.7	19	24
JFL9-0808A	3/4" - 16	12	08	10	13/32"	08	43.9	11	61.7	19	24
JF9-0810A	3/4" - 16	12	08	12	1/2"	10		11		24	24
JF9-1010A	7/8" - 14	10	10	12	1/2"	10	41.9	13	31.2	24	27
JFL9-1010A	7/8" - 14	10	10	12	1/2"	10	48.3	13	65.3	24	27
JF9-1212A	1.1/16" - 12	12	12	16	5/8"	12	55.1		46.2	-	-
JF9-1616A	1.5/16" - 12	16	16	22	7/8"	16	57.9	16	60.7	32	41
JFL9-1616A	1.5/16" - 12	16	16	22	7/8"	16	57.9	16	116.3	28.4	38
JF9-2020A	1.5/8" - 12	20	20	28	1.1/8"	20	67.3	17	69.8	38	50
JF9-2424A	1.7/8" - 12	24	24	35	1.3/8"	24	121	20	97.5	46	55
JF9-3232A	2.1/2" - 12	32	32	46	1.13/16"	32	143.25	23.5	118.8	60	75

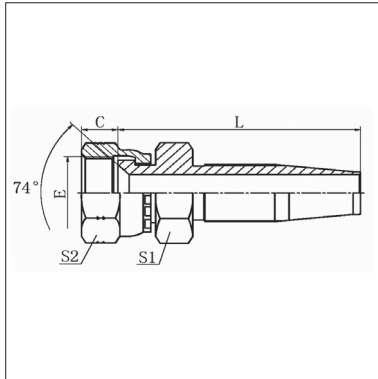
SAE FITTINGS

ORIGIN: NORTH AMERICA



SF1

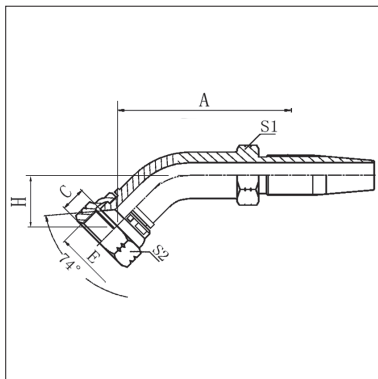
SAE FEMALE STRAIGHT
(FERRULE SUPPLIED)



Product Code	JIC Thread			Hose Bore			Dimensions (mm)			
	Thread	Size	Tube	DN	Inch	Size	L	C	S1	S2
SF1-0606A	5/8" - 18	06	06	8	5/16"	06	48.5	11.3	17	22
SF1-1212A	1.1/16" - 14	12	12	16	5/8"	12	74.5	14.3	32	32

SF4

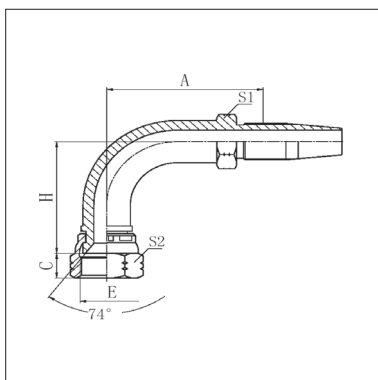
SAE FEMALE 45° ELBOW
(FERRULE SUPPLIED)



Product Code	JIC Thread			Hose Bore			C	S1	S2
	Thread	Size	Tube	DN	Inch	Size			
SF4-0606A	5/8" - 18	06	06	8	5/16"	06	11.3	17	22

SF9

SAE FEMALE 90° ELBOW
(FERRULE SUPPLIED)



Product Code	JIC Thread			Hose Bore			C	S1	S2
	Thread	Size	Tube	DN	Inch	Size			
SF9-0606A	5/8" - 18	06	06	8	5/16"	06	11.3	17	22

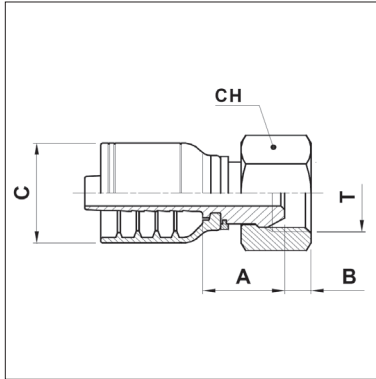
BSP

ORIGIN: GREAT BRITAIN



BF1

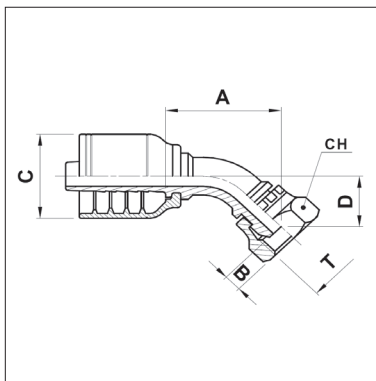
BSPP FEMALE STRAIGHT



Product Code	BSPP Thread		Nominal ID			Dimensions mm			
	T	Size	Dash	Inch	DN	A	B	CH	C
BF1-0404R	1/4" - 19	04	04	3/16"	4	16.8	4.2	19	21
BF1-0405R	1/4" - 19	04	05	1/4"	6	16.8	4.2	19	22
BF1-0606R	3/8" - 19	06	06	5/16"	08	18.5	6	22	24
BF1-0808R	1/2" - 14	08	08	13/32"	11	20.5	6.5	27	27
BF1-0810R	1/2" - 14	08	10	1/2"	12	21	6.5	27	31
BF1-1212R	3/4" - 14	12	12	5/8"	16	21.5	8.7	32	37
BF1-1616R	1" - 11	16	16	7/8"	22	28	10.5	38	43
BF1-2020R	1.1/4" - 11	20	20	1.1/8"	28	36.4	10	50	49
BF1-2424R	1.1/2" - 11	24	24	1.3/8"	35	36.3	12	55	54
BF1-3232R	2" - 11	32	32	1.13/16"	46	39	16	70	65

BF4

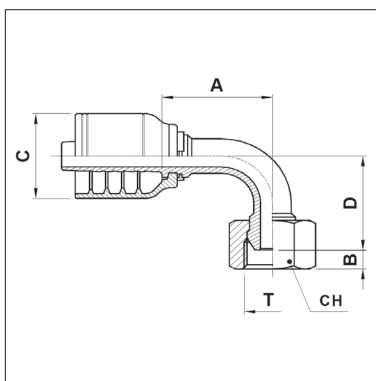
BSPP FEMALE 45° ELBOW



Product Code	BSPP Thread		Nominal ID			Dimensions mm				
	T	Size	Dash	Inch	DN	A	B	CH	C	D
BF4-0606R	3/8" - 19	06	06	5/16"	08	42.5	6	22	24	19

BF9

BSPP FEMALE 90° ELBOW



Product Code	BSPP Thread		Nominal ID			Dimensions mm				
	T	Size	Dash	Inch	DN	A	B	CH	C	D
BF9-0404R	1/4" - 19	04	04	3/16"	4	27.5	4.2	19	21	27
BF9-0604R	3/8" - 19	06	04	3/16"	4	27.5	6	22	21	29.5
BF9-0606R	3/8" - 19	06	06	5/16"	08	32.5	6	22	24	30
BF9-0806R	1/2" - 14	08	06	5/16"	08	32.5	6.5	27	24	32
BF9-0808R	1/2" - 14	08	08	13/32"	11	39	6.5	27	27	36.5
BF9-1010R	5/8" - 14	10	10	1/2"	12	46.5	9.5	27	31	49
BF9-1212R	3/4" - 14	12	12	5/8"	16	62.5	8.7	32	37	58.8
BF9-1616R	1" - 11	16	16	7/8"	22	73	10.5	38	43	71
BF9-2020R	1.1/4" - 11	20	20	1.1/8"	28	91.5	10	50	49	83
BF9-2424R	1.1/2" - 11	24	24	1.3/8"	35	114	12	55	54	108
BF9-3232R	2" - 11	32	32	1.13/16"	46	130	16	70	65	128

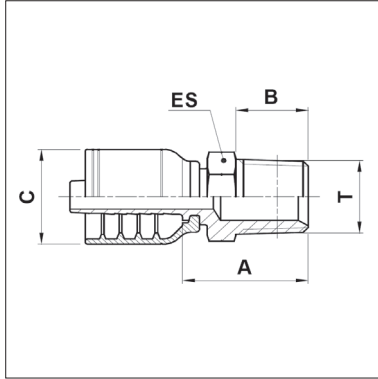
BSP

ORIGIN: GREAT BRITAIN



BTM1

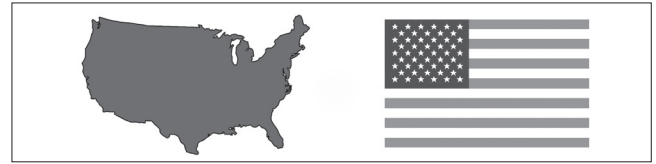
BSPT MALE STRAIGHT



Product Code	BSPT Thread		Nominal ID			Dimensions mm			
	T	Size	Dash	Inch	DN	A	B	C	ES
BTM1-0405R	1/4" - 19	04	05	1/4"	6	26.5	14	22	14
BTM1-0606R	3/8" - 19	06	06	5/16"	08	29	15	24	19
BTM1-0808R	1/2" - 14	08	08	13/32"	11	32	18	27	22
BTM1-0810R	1/2" - 14	08	10	1/2"	12	32.5	18	31	22
BTM1-1212R	3/4" - 14	12	12	5/8"	16	42	20	37	27
BTM1-1616R	1" - 11	16	16	7/8"	22	48.1	23	43	36

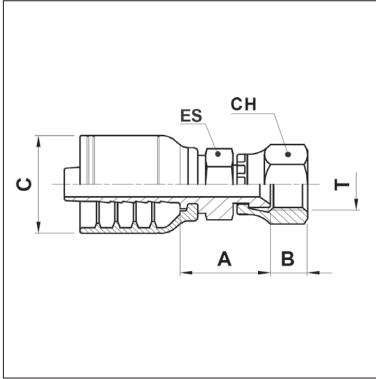
JIC FITTINGS

ORIGIN: NORTH AMERICA



JF1

JIC FEMALE STRAIGHT

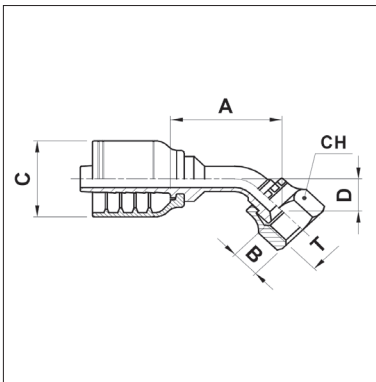


Product Code	JIC Thread			Hose Bore			Dimensions (mm)				
	Thread	Size	Tube	Dash	Inch	DN	A	B	CH	ES	C
JF1-0404R	7/16" - 20	04	04	04	3/16"	4	19.5	8.5	15	11.1	21
JF1-0505R	1/2" - 20	05	05	05	1/4"	5	18.5	10.7	19	24	23
JF1-0805R	3/4" - 16	08	08	05	1/4"	5	24.4	10.2	24	na	23
JF1-0606R	9/16" - 18	06	06	06	5/16"	08	21	9.5	19	14	24
JF1-0806R	3/4" - 16	08	08	06	5/16"	08	25.9	10.7	24	19	24
JF1-0808R	3/4" - 16	08	08	08	13/32"	11	18.5	10.7	24	19	27
JF1-0810R	3/4" - 16	08	08	10	1/2"	12	25.4	10.7	24	19	31
JF1-1010R	7/8" - 14	10	10	10	1/2"	12	20.5	12.5	27	27	31
JF1-1210R	1.1/16" - 12	12	12	10	1/2"	12	35.5	13.8	32	27	31
JF1-1212R †	1.1/16" - 12	12	12	12	5/8"	16	35.5	13.8	32	27	37
JF1-1616R †	1.5/16" - 12	16	16	16	7/8"	22	37	16	38	32	43
JF1-2020R †	1.5/8" - 12	20	20	20	1.1/8"	28	50.1	16	50	41	49
JF1-2424R †	1.7/8" - 12	24	24	24	1.3/8"	35	53.4	18.5	55	50	54
JF1-3232R †	2.1/2" - 12	32	32	32	1.13/16"	48	70	24	75	65	65

† Thrust wired nut

JF4

JIC FEMALE 45° ELBOW

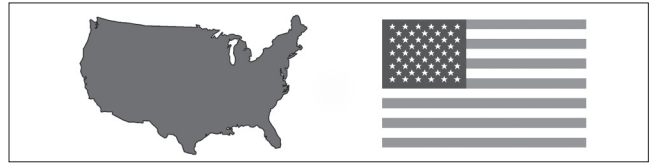


Product Code	JIC Thread			Hose Bore			Dimensions (mm)				
	Thread	Size	Tube	Dash	Inch	DN	A	B	CH	D	C
JF4-0404R	7/16" - 20	04	04	04	3/16"	4		8.5	15		21
JF4-0504R	1/2" - 20	05	05	04	3/16"	4		10.5	17		21
JF4-0604R	9/16" - 18	06	05	04	3/16"	4		9.5	19		21
JF4-0606R	9/16" - 18	06	06	06	5/16"	08	42.5	9.5	19	11.5	24
JF4-0806R	3/4" - 16	08	08	06	5/16"	08		10.7	24		24
JF4-0808R	3/4" - 16	08	08	08	13/32"	11	44	10.7	24	14.5	27
JF4-1008R	7/8" - 14	10	10	08	13/32"	11		12.5	27		27
JF4-1010R	7/8" - 14	10	10	10	1/2"	12	55.5	12.5	27		31
JF4-1210R	1.1/16" - 12	12	12	10	1/2"	12		13.8	32		31
JF4-1212R †	1.1/16" - 12	12	12	12	5/8"	16	60.5	13.8	32	29	37
JF4-1612R †	1.5/16" - 12	16	16	12	5/8"	16		16	38		37
JF4-1616R †	1.5/16" - 12	16	16	16	7/8"	22	77.5	16	38	42	43
JF4-2020R †	1.5/8" - 12	20	20	20	1.1/8"	28		16	50		49
JF4-2424R †	1.7/8" - 12	24	24	24	1.3/8"	35		18.5	55		54
JF4-3232R †	2.1/2" - 12	32	32	32	1.13/16"	46		24	75		65

† Thrust wired nut

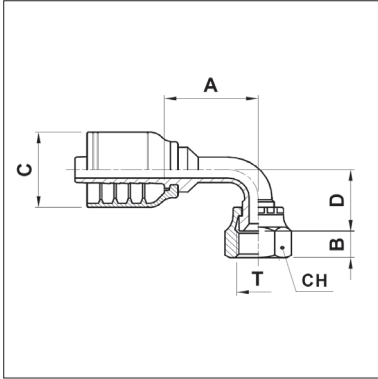
JIC FITTINGS

ORIGIN: NORTH AMERICA



JF9

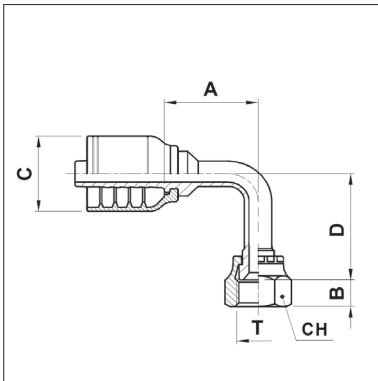
JIC FEMALE 90° ELBOW



Product Code	JIC Thread			Hose Bore			Dimensions (mm)				
	Thread	Size	Tube	Dash	Inch	DN	A	B	CH	D	C
JF9-0404R	7/16" - 20	04	04	04	3/16"	5	24	8.5	15	29	21
JF9-0504R	1/2" - 20	05	05	04	3/16"	5	32	10.5	17	29	21
JF9-0505R	1/2" - 20	05	05	05	1/4"	6	26.5	10.5	17	29	21
JF9-0606R	9/16" - 18	06	06	06	5/16"	08	30	9.5	19	22	24
JF9-0808R	3/4" - 16	08	08	08	13/32"	11	31.5	10.7	24	30	27
JF9-0810R	3/4" - 16	08	08	10	1/2"	12	41	10.7	24	30	31
JF9-1010R	7/8" - 14	10	10	10	1/2"	12	42.5	12.5	27	40	31
JF9-1212R	1.1/16" - 12	12	12	12	5/8"	16	48.5	13.8	32	47.5	37
JF9-1616R	1.5/16" - 12	16	16	16	7/8"	22	76	16	38	77	43
JF9-1616R-060	1.5/16" - 12	16	16	16	7/8"	22	63	16.5	38	60	43
JF9-2020R	1.5/8" - 12	20	20	20	1.1/8"	28	79	16	50	79.5	49
JF9-2424R	1.7/8" - 12	24	24	24	1.1/2"	38	107	18.5	55	103.7	54
JF9-3232R	2.1/2" - 12	32	32	32	1.13/16"	46	136	24	75	140	65

JFL9

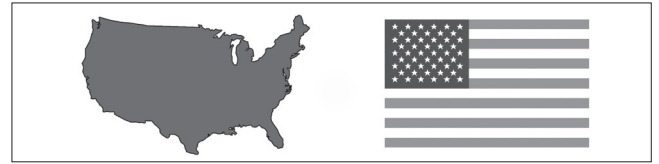
JIC FEMALE LONG DROP 90° ELBOW



Product Code	JIC Thread			Hose Bore			Dimensions (mm)				
	Thread	Size	Tube	Dash	Inch	DN	A	B	CH	D	C
JFL9-0606R	9/16" - 18	06	06	06	5/16"	08	35.5	9.5	19	56	24
JFL9-1212R	1.1/16" - 12	12	12	12	5/8"	16	55.5	13.8	32	95	37

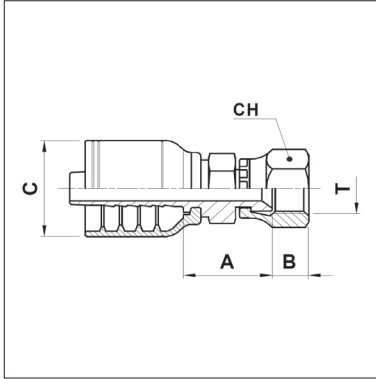
SAE / NPT

ORIGIN: NORTH AMERICA



SF1

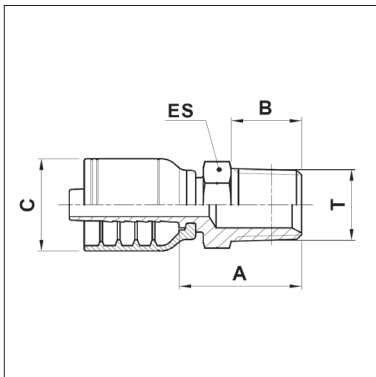
SAE FEMALE STRAIGHT



Product Code	SAE Thread			Hose Bore			Dimensions (mm)				
	Thread	Size	Tube	Dash	Inch	DN	A	B	CH	ES	C
SF1-0606R	5/8" - 18	06	06	06	5/16"	08	23.9	10.8	22	19	24
SF1-1212R	1.1/16" - 14	12	12	12	5/8"	16	30.7	14.4	32	27	37

NM1

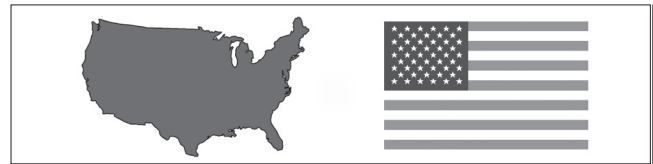
NPT MALE STRAIGHT



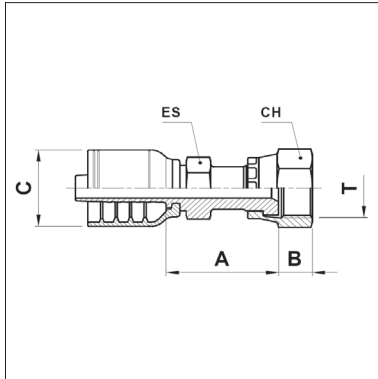
Product Code	NPT Thread		Nominal ID			Dimensions mm			
	T	Size	Dash	Inch	DN	A	B	ES	C
NM1-0404R	1/4" - 18	04	04	3/16"	5	25.8	14	14	21
NM1-0606R	3/8" - 18	06	06	5/16"	08	28	14	19	24
NM1-0808R	1/2" - 14	08	08	13/32"	11	33	19	22	27
NM1-1212R	3/4" - 14	12	12	5/8"	16	41	19	27	37
NM1-1616R	1" - 11½	16	16	7/8"	22	47.5	24	36	43

ORFS FITTINGS

ORIGIN: NORTH AMERICA

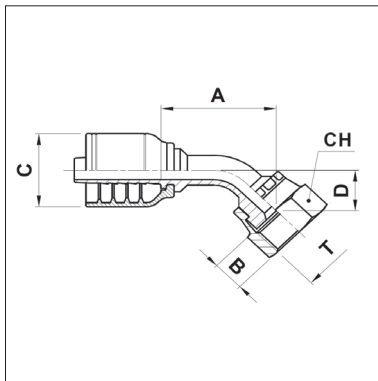


OF1 O-RING FACE SEAL FEMALE STRAIGHT



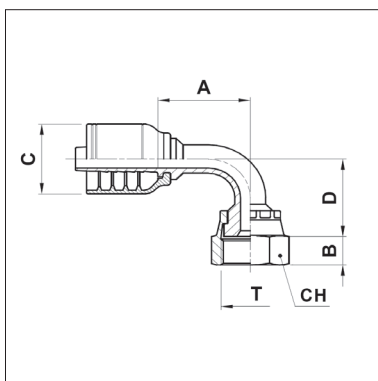
Product Code	UN Thread			Hose Bore			Dimensions (mm)				
	Thread	Size	Tube	Dash	Inch	DN	A	B	CH	ES	C
OF1-0404R	9/16" - 18	04	04	04	3/16"	4	27.3	8	17	14	21
OF1-0606R	11/16" - 16	06	06	06	5/16"	08	32	9.5	22	17	24
OF1-0806R	13/16" - 16	08	08	06	5/16"	08	36.5	11	24	19	24
OF1-0808R	13/16" - 16	08	08	08	13/32"	11	36.5	11	24	19	27
OF1-1010R	1" - 14	10	10	10	1/2"	12	39	13.5	30	24	31
OF1-1212R	1.3/16" - 12	12	12	12	5/8"	16	44	14.5	36	30	37
OF1-1616R	1.7/16" - 12	16	16	16	7/8"	22	52.5	14.8	41	36	43

OF4 O-RING FACE SEAL FEMALE 45° ELBOW



Product Code	UN Thread			Hose Bore			Dimensions (mm)				
	Thread	Size	Tube	Dash	Inch	DN	A	B	CH	D	C
OF4-0404R	9/16" - 18	04	04	04	3/16"	4	43.5	8	17	11	21
OF4-0606R	11/16" - 16	06	06	06	5/16"	08	38	9.5	22	15	24
OF4-0808R	13/16" - 16	08	08	08	13/32"	11	43.5	11	24	15	27
OF4-1212R	1.3/16" - 12	12	12	12	5/8"	16	63	14.5	36	24	37
OF4-1616R	1.7/16" - 12	16	16	16	7/8"	22	82.5	14.8	41	31	43

OF9 O-RING FACE SEAL FEMALE 90° ELBOW



Product Code	UN Thread			Hose Bore			Dimensions (mm)				
	Thread	Size	Tube	Dash	Inch	DN	A	B	CH	D	C
OF9-0404R	9/16" - 18	04	04	04	3/16"	4	29.5	8	17	25	21
OF9-0606R	11/16" - 16	06	06	06	5/16"	08	34	9.5	22	27	24
OF9-0808R	13/16" - 16	08	08	08	13/32"	11	33	11	24	30	27
OF9-1010R	1" - 14	10	10	10	1/2"	12	44	13.5	30	40	31
OF9-1212R	1.3/16" - 12	12	12	12	5/8"	16	56.5	14.5	36	51.5	37
OF9-1616R	1.7/16" - 12	16	16	16	7/8"	22	71.5	14.8	41	71	43

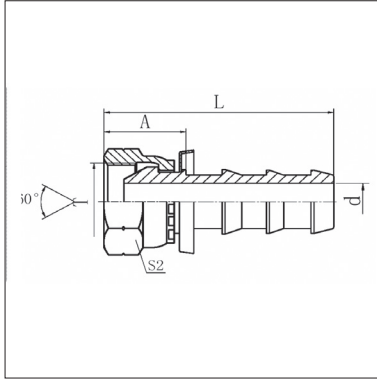
BSP

ORIGIN: GREAT BRITAIN



BF1

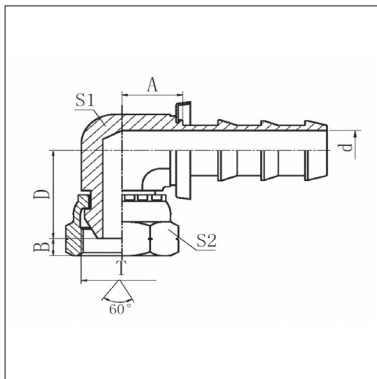
BSPP FEMALE STRAIGHT
PUSH FIT



Product Code	BSPP Thread			Hose Bore			Dimensions mm			
	T	Size	Pipe	DN	Inch	Size	L	C	S1	S2
BF1-0204P	1/8" - 28	02	1/8"	6	1/4"	04	-	4.3	-	-
BF1-0404P	1/4" - 19	04	1/4"	6	1/4"	04	19.5	4.3	37.5	19
BF1-0406P	1/4" - 19	04	1/4"	10	3/8"	06	19.5	7.6	-	19
BF1-0606P	3/8" - 19	06	3/8"	10	3/8"	06	21.5	7.6	43.0	22
BF1-0806P	1/2" - 14	08	1/2"	10	3/8"	06	24.5	7.6	-	27
BF1-0608P	3/8" - 19	06	3/8"	12	1/2"	08	21.5	9.9	-	22
BF1-0808P	1/2" - 14	08	1/2"	12	1/2"	08	24.5	9.9	50	27
BF1-0810P	1/2" - 14	08	1/2"	16	5/8"	10	24.5	-	-	27
BF1-1212P	3/4" - 14	12	3/4"	20	3/4"	12	29.0	15.5	67.5	32
BF1-1616P	1" - 11	16	1"	25	1"	16	-	-	-	-

BFC9

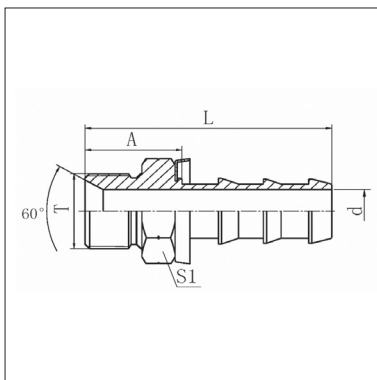
BSP FEMALE
PUSH FIT 90° COMPACT ELBOW



Product Code	BSPP Thread			Hose Bore			Dimensions mm					
	T	Size	Pipe	DN	Inch	Size	A	B	D	S1	S2	d
BFC9-0404P	1/4" - 19	04	1/4"	6	1/4"	04	12.0	5.5	18.5	11	19	4.3
BFC9-0606P	3/8" - 19	06	3/8"	10	3/8"	06	14.0	6.3	24.0	14	22	7.6
BFC9-0808P	1/2" - 14	08	1/2"	12	1/2"	08	17.0	7.5	26.5	19	27	9.9
BFC9-1212P	3/4" - 14	12	3/4"	20	3/4"	12	21.5	10.9	33.0	27	32	15.5

BPM1

BSPP MALE STRAIGHT
PUSH FIT

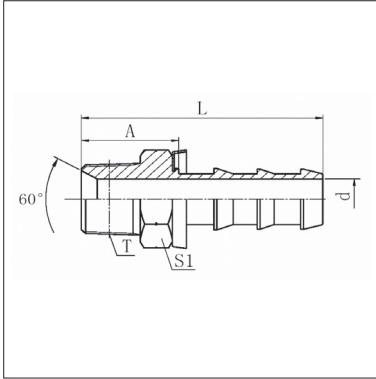


Product Code	BSPP Thread			Hose Bore			Dimensions mm			
	T	Size	Pipe	DN	Inch	Size	A	L	S1	d
BF1-0808P	1/2" - 14	08	1/2"	12	1/2"	08	28.5	54	27	9.9

BSP
ORIGIN: GREAT BRITAIN



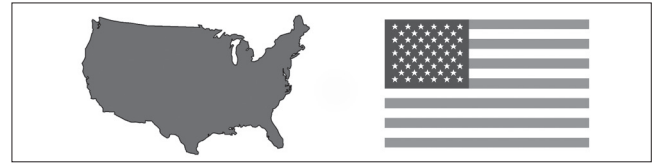
BTM1
BSPT MALE STRAIGHT
PUSH FIT



Product Code	BSPT Thread			Hose Bore			Dimensions mm			
	T	Size	Pipe	DN	Inch	Size	A	L	S1	d
BTM1-0204P	1/8" - 28	02	1/8"	6	1/4"	04	17.7	37.5	12	4.5
BTM1-0404P	1/4" - 19	04	1/4"	6	1/4"	04	20.5	40.5	14	4.3
BTM1-0406P	1/4" - 19	04	1/4"	10	3/8"	06	22	44	17	7.5
BTM1-0606P	3/8" - 19	06	3/8"	10	3/8"	06	23.5	49	19	7.5
BTM1-0806P	1/2" - 14	08	1/2"	10	3/8"	06	-	-	-	-
BTM1-0608P	3/8" - 19	06	3/8"	12	1/2"	08	-	-	-	-
BTM1-0808P	1/2" - 14	08	1/2"	12	1/2"	08	30.5	56	22	9.9
BTM1-0810P	1/2" - 14	08	1/2"	16	5/8"	10	-	-	-	-
BTM1-1212P	3/4" - 14	12	3/4"	20	3/4"	12	29.4	68	30	15.5

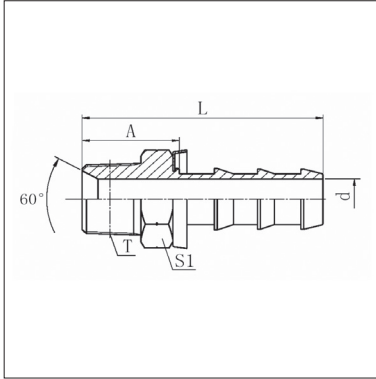
NPT

ORIGIN: NORTH AMERICA



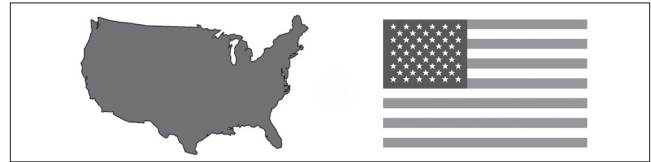
NM1

NPT MALE STRAIGHT
PUSH FIT

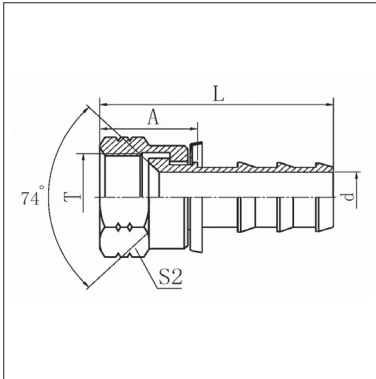


Product Code	NPT Thread			Hose Bore			Dimensions mm			
	T	Size	Pipe	DN	Inch	Size	A	L	S1	d
NM1-0204P	1/8" - 27	02	1/8"	6	1/4"	04	16.5	35.6	11	4.3
NM1-0404P	1/4" - 18	04	1/4"	6	1/4"	04	21.1	40.1	14	4.3
NM1-0406P	1/4" - 18	04	1/4"	10	3/8"	06	22.6	44.7	14	7.6
NM1-0606P	3/8" - 18	06	3/8"	10	3/8"	06	22.6	44.7	19	7.6
NM1-0608P	3/8" - 18	06	3/8"	12	1/2"	08	22.6	48.5	19	9.9
NM1-0808P	1/2" - 14	08	1/2"	12	1/2"	08	29	54.9	22	9.9
NM1-1212P	3/4" - 14	12	3/4"	20	3/4"	12	30.7	69	27	15.5

JIC
ORIGIN: NORTH AMERICA

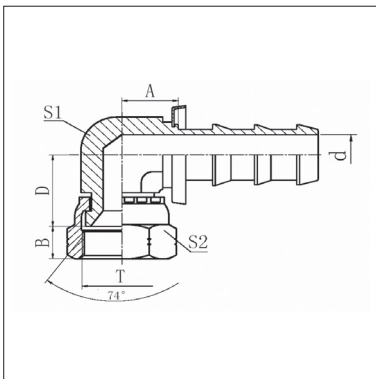


JF1
JIC FEMALE STRAIGHT
PUSH FIT



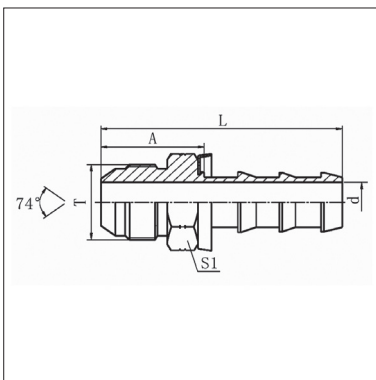
Product Code	JIC Thread			Hose Bore			Dimensions (mm)			
	Thread	Size	Tube	DN	Inch	Size	A	L	S2	d
JF1-0404P	7/16" - 20	04	04	6	1/4"	04	20	38	15	4.3
JF1-0504P	1/2" - 20	05	05	6	1/4"	04	21	39	17	4.3
JF1-0604P	9/16" - 18	06	06	6	1/4"	04	-	-	-	4.3
JF1-0606P	9/16" - 18	06	06	10	3/8"	06	22	43.5	19	7.6
JF1-0806P	3/4" - 16	08	08	10	3/8"	06	25	46.5	24	7.6
JF1-0808P	3/4" - 16	08	08	12	1/2"	08	25	50.5	24	9.9
JF1-1008P	7/8" - 14	10	10	12	1/2"	08	27	52.5	27	9.9
JF1-1010P	7/8" - 14	10	10	16	5/8"	10	-	-	-	-
JF1-1210P	1.1/16" - 12	12	12	16	5/8"	10	-	-	-	-
JF1-1212P	1.1/16" - 12	12	12	20	3/4"	12	31	69.5	32	15.5
JF1-1616P	1.5/16" - 12	21	16	25	1"	16	-	-	-	-

JFC9
JIC FEMALE 90° COMPACT ELBOW
PUSH FIT



Product Code	JIC Thread			Hose Bore			Dimensions (mm)				
	Thread	Size	Tube	DN	Inch	Size	A	B	D	S1	S2
JFC9-0404P	7/16" - 20	04	04	6	1/4"	04	12	9	18	11	17
JFC9-0504P	1/2" - 20	05	05	6	1/4"	04	-	-	-	-	-
JFC9-0604P	9/16" - 18	06	06	6	1/4"	04	14	10.5	21	14	19
JFC9-0606P	9/16" - 18	06	06	10	3/8"	06	15.5	10.5	21	16	19
JFC9-0806P	3/4" - 16	08	08	10	3/8"	06	15.5	11	25	16	24
JFC9-0808P	3/4" - 16	08	08	12	1/2"	08	17	11	25	19	24
JFC9-1008P	7/8" - 14	10	10	12	1/2"	08	-	-	-	-	-
JFC9-1010P	7/8" - 14	10	10	16	5/8"	10	18.5	12	27.5	22	27
JFC9-1212P	1.1/16" - 12	12	12	20	3/4"	12	21.5	15	30	27	32

JM1
JIC MALE STRAIGHT
PUSH FIT



Product Code	JIC Thread			Hose Bore			Dimensions (mm)			
	Thread	Size	Tube	DN	Inch	Size	A	L	S1	d
JM1-0404P	7/16" - 20	04	04	6	1/4"	04	22	40	12	4.3
JM1-0504P	1/2" - 20	05	05	6	1/4"	04	-	-	-	-
JM1-0604P	9/16" - 18	06	06	6	1/4"	04	22	40	17	4.3
JM1-0606P	9/16" - 18	06	06	10	3/8"	06	22	40	17	7.5
JM1-0806P	3/4" - 16	08	08	10	3/8"	06	27.2	48.4	22	7.5
JM1-0808P	3/4" - 16	08	08	12	1/2"	08	27.2	52.7	22	9.9
JM1-1008P	7/8" - 14	10	10	12	1/2"	08	-	-	-	-
JM1-1010P	7/8" - 14	10	10	16	5/8"	10	30	69	24	12.2
JM1-1212P	1.1/16" - 12	12	12	20	3/4"	12	33.4	72	30	15.5



This page is part of a complete catalog containing technical and safety data.
All data must be reviewed when selecting a product.
PIRTEK reserves the right to change technical specifications without notice.

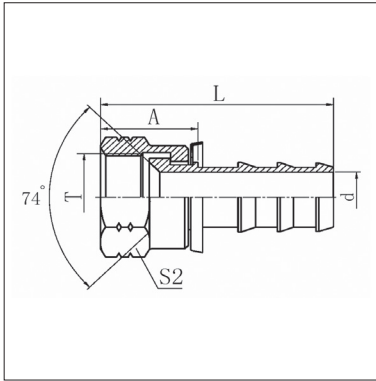
SAE

ORIGIN: NORTH AMERICA



SF1

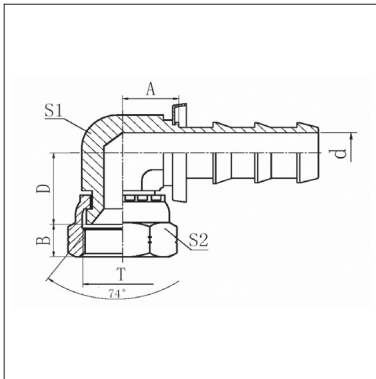
SAE FEMALE STRAIGHT
PUSH FIT



Product Code	SAE Thread			Hose Bore			Dimensions (mm)			
	Thread	Size	Tube	DN	Inch	Size	A	L	S2	d
SF1-0604P	5/8" - 18	06	06	6	1/4"	04	25	44.8	22	4.3
SF1-0606P	5/8" - 18	06	06	10	3/8"	06	20.6	42.4	22	7.6
SF1-1008P	7/8" - 14	10	08	12	1/2"	08	27	52.9	27	9.9
SF1-1212P	1.1/16" - 14	12	12	20	3/4"	12	30.2	68.8	32	15.5

SFC9

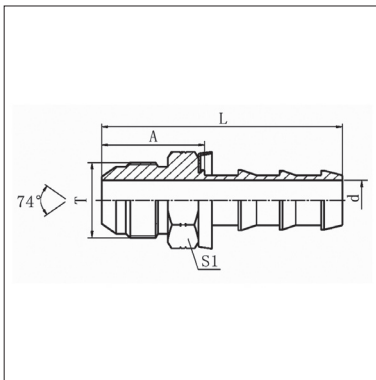
SAE FEMALE 90° COMPACT ELBOW
PUSH FIT



Product Code	SAE Thread			Hose Bore			S1	S2
	Thread	Size	Tube	DN	Inch	Size		
SFC9-0606P	5/8" - 18	06	06	10	3/8"	06	22	7.6

SM1

SAE MALE STRAIGHT
PUSH FIT



Product Code	SAE Thread			Hose Bore			Dimensions (mm)			
	Thread	Size	Tube	DN	Inch	Size	A	L	S1	d
SM1-0606P	9/16" - 18	06	06	10	3/8"	06	24.5	43.5	17	7.5
SM1-1212P	1.1/16" - 14	12	12	20	3/4"	12	36.8	75.4	30	15.5

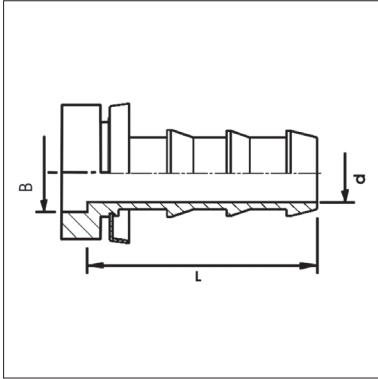
MISCELLANEOUS FITTINGS

WELD ON AND HOSE JOINERS



WO1

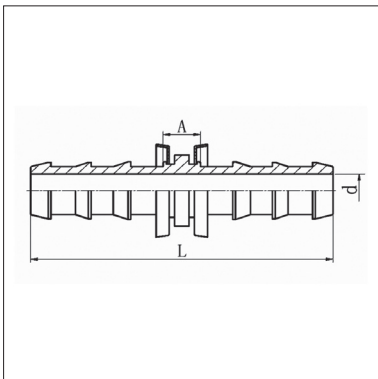
WELD ON STRAIGHT TAIL
PUSH FIT



Product Code	Tube Weld			Hose Bore			Dimensions (mm)		
	Bore	Size	ø ins.	DN	Inch	Size	L	ø B	d
WO1-0404P	04	04	1/4"	06	1/4"	04	24	6.4	4.3
WO1-0606P	06	06	3/8"	10	3/8"	06	26.2	9.8	7.6
WO1-0808P	08	08	1/2"	12	1/2"	08	30.5	12.9	9.9
WO1-1010P	10	10	5/8"	16	5/8"	10	44	16	12.2
WO1-1212P	12	12	3/4"	20	3/4"	12	43.6	19.2	15.5

HJ1

HOSE JOINER
PUSH FIT



Product Code	Hose tail			Hose Tail			Dimensions (mm)		
	DN	Inch	Size	DN	Inch	Size	A	L	d
HJ1-0404P	06	1/4"	04	06	1/4"	04	8.4	48	4.3
HJ1-0606P	10	3/8"	06	10	3/8"	06	8.4	52.4	7.6
HJ1-0808P	12	1/2"	08	12	1/2"	08	8.4	61	9.9
HJ1-1010P	16	5/8"	10	16	5/8"	10	9.4	88	12.2
HJ1-1212P	20	3/4"	12	20	3/4"	12	10	87.2	15.5

FERRULES

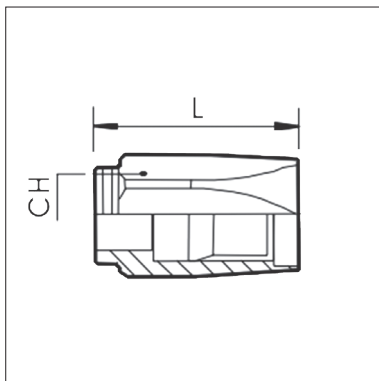
ORIGIN: N/A



RN1 / RN2 FERRULES

FOR FIELD ATTACHABLE FITTINGS (F Series Hose Tails)

TO SUIT R1AT AND R2AT NON-SKIVE HOSES - ORDERED SEPARATELY

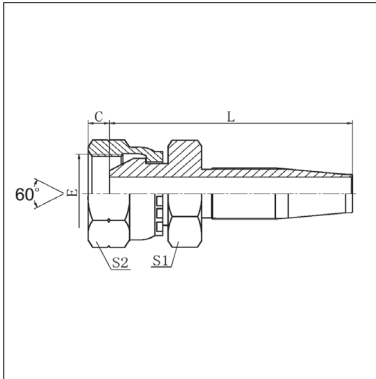


Product Code	To Suit Hose	Hose Bore		
		DN	Inch	Size
RN1-04	R1AT-04	06	1/4"	04
RN1-06	R1AT-06	10	3/8"	06
RN1-08	R1AT-08	12	1/2"	08
RN1-10	R1AT-10	16	5/8"	10
RN1-12	R1AT-12	20	3/4"	12
RN1-16	R1AT-16	25	1"	16
<hr/>				
RN2-04	R2AT-04	06	1/4"	04
RN2-06	R2AT-06	10	3/8"	06
RN2-08	R2AT-08	12	1/2"	08
RN2-10	R2AT-10	16	5/8"	10
RN2-12	R2AT-12	20	3/4"	12
RN2-16	R2AT-16	25	1"	16

BSP
ORIGIN: GREAT BRITAIN

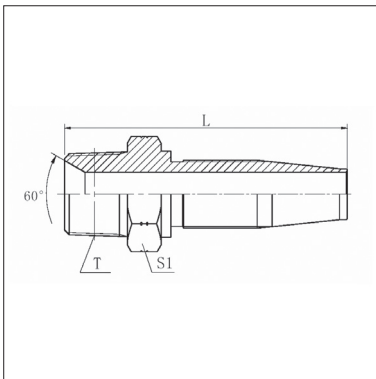


BF1
BSPP FEMALE STRAIGHT
(FERRULE ORDERED SEPARATELY)



Product Code	BSPP Thread			Nominal ID			B	CH
	T	Size	Pipe	DN	Inch	Size		
BF1-0404F	1/4" - 19	04	1/4"	6	1/4"	04	4	19
BF1-0604F	3/8" - 19	06	3/8"	6	1/4"	04	6	22
BF1-0606F	3/8" - 19	06	3/8"	10	3/8"	06	6	22
BF1-0806F	1/2" - 14	08	1/2"	10	3/8"	06	7	27
BF1-0808F	1/2" - 14	08	1/2"	12	1/2"	08	7	27
BF1-1212F	3/4" - 14	12	3/4"	20	3/4"	12	9	32
BF1-1616F	1" - 11	16	1"	25	1"	16	10.5	38

BTM1
BSPT MALE STRAIGHT
(FERRULE ORDERED SEPARATELY)



Product Code	BSPT Thread			Nominal ID			Dimensions mm		
	T	Size	Pipe	DN	Inch	Size	L	S1	
BTM1-0404F	1/4" - 19	04	1/4"	6	1/4"	04	26.5	14	17
BTM1-0604F	3/8" - 19	06	3/8"	6	1/4"	04	27	14	19
BTM1-0606F	3/8" - 19	06	3/8"	10	3/8"	06	29	15	19
BTM1-0806F	1/2" - 14	08	1/2"	10	3/8"	06	32	18	22
BTM1-0808F	1/2" - 14	08	1/2"	12	1/2"	08	32.5	18	22
BTM1-1212F	3/4" - 14	12	3/4"	20	3/4"	12	39	20	27
BTM1-1616F	1" - 11	16	1"	25	1"	16	48.1	23	36

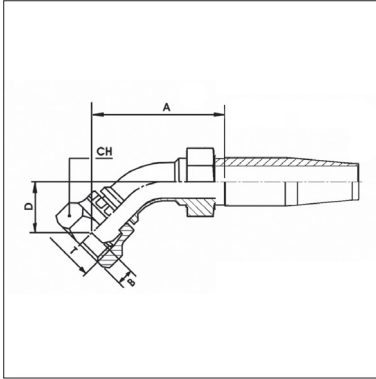
BSP

ORIGIN: GREAT BRITAIN



BF4

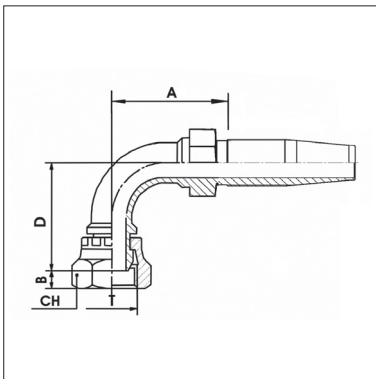
BSPF FEMALE 45° ELBOW
(FERRULE ORDERED SEPARATELY)



Product Code	BSPF Thread			Nominal ID			B	CH
	T	Size	Pipe	DN	Inch	Size		
BF4-0404F	1/4" - 19	04	1/4"	6	1/4"	04	4	19
BF4-0606F	3/8" - 19	06	3/8"	10	3/8"	06	6	22
BF4-0808F	1/2" - 14	08	1/2"	12	1/2"	08	7	27
BF4-1010F	5/8" - 14	10	5/8"	16	5/8"	10	10	
BF4-1212F	3/4" - 14	12	3/4"	20	3/4"	12	9	32
BF4-1616F	1" - 11	16	1"	25	1"	16	10.5	38

BF9

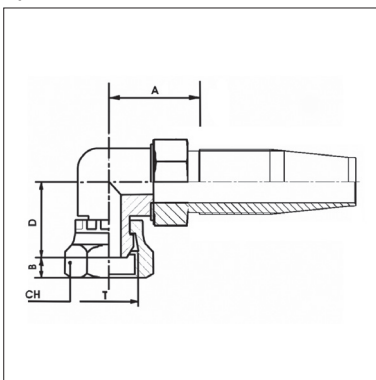
BSPF FEMALE 90° ELBOW
(FERRULE ORDERED SEPARATELY)



Product Code	BSPF Thread			Nominal ID			B	CH
	T	Size	Pipe	DN	Inch	Size		
BF9-0404F	1/4" - 19	04	1/4"	6	1/4"	04	4	19
BF9-0606F	3/8" - 19	06	3/8"	10	3/8"	06	6	22
BF9-0808F	1/2" - 14	08	1/2"	12	1/2"	08	7	27
BF9-1212F	3/4" - 14	12	3/4"	20	3/4"	12	9	32
BF9-1616F	1" - 11	16	1"	25	1"	16	10.5	38

BFC9

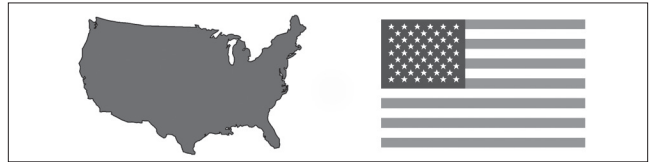
BSPF FEMALE 90° COMPACT ELBOW
(FERRULE ORDERED SEPARATELY)



Product Code	BSPF Thread			Nominal ID			B	CH
	T	Size	Pipe	DN	Inch	Size		
BFC9-0404F	1/4" - 19	04	1/4"	6	1/4"	04	4	19
BFC9-0606F	3/8" - 19	06	3/8"	10	3/8"	06	6	22
BFC9-0806F	1/2" - 14	08	1/2"	10	3/8"	06	7	27
BFC9-0808F	1/2" - 14	08	1/2"	12	1/2"	08	7	27
BFC9-1212F	3/4" - 14	12	3/4"	20	3/4"	12	9	32

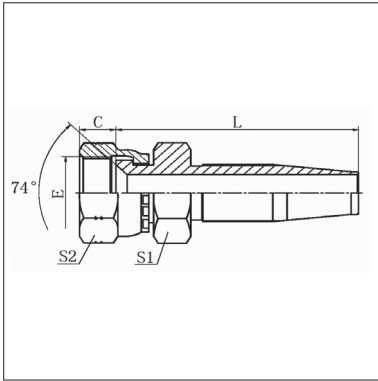
JIC

ORIGIN: NORTH AMERICA



JF1

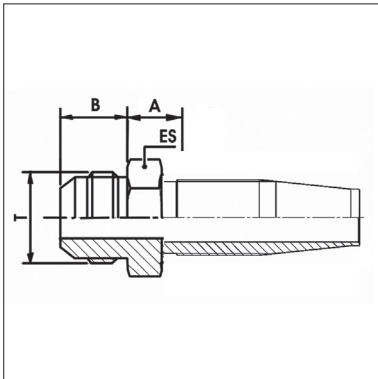
JIC FEMALE STRAIGHT
(FERRULE ORDERED SEPARATELY)



Product Code	JIC Thread			Nominal ID			B	CH
	T	Size	Pipe	DN	Inch	Size		
JF1-0404F	7/16" - 20	04	04	6	1/4"	04	8.5	15
JF1-0504F	1/2" - 20	05	05	6	1/4"	04	9.5	17
JF1-0604F	9/16" - 18	06	06	6	1/4"	04	9.5	19
JF1-0606F	9/16" - 18	06	06	10	3/8"	06	9.5	19
JF1-0806F	3/4" - 16	08	08	10	3/8"	06	10.7	24
JF1-0808F	3/4" - 16	08	08	12	1/2"	08	10.7	24
JF1-1008F	7/8" - 14	10	10	12	1/2"	08	12.7	27
JF1-1010F	7/8" - 14	10	10	16	5/8"	10	12.7	27
JF1-1210F	1.1/16" - 12	12	12	16	5/8"	10	13.5	32
JF1-1212F	1.1/16" - 12	12	12	20	3/4"	12	13.5	27
JF1-1612F	1.5/16" - 12	16	16	20	3/4"	12	16	32
JF1-1616F	1.5/16" - 12	16	16	25	1"	16	16	32

JM1

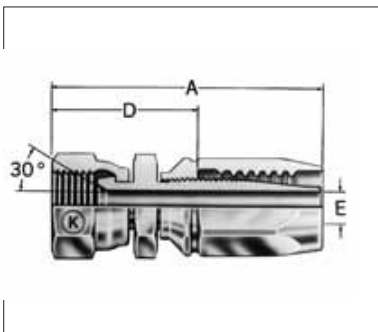
JIC MALE STRAIGHT
(FERRULE ORDERED SEPARATELY)



Product Code	JIC Thread			Nominal ID			Dimensions mm		
	T	Size	Pipe	DN	Inch	Size	A	B	ES
JM1-0404F	7/16" - 20	04	04	6	1/4"	04	26.5	14	14
JM1-0604F	9/16" - 18	06	06	6	1/4"	04	27.5	14	17
JM1-0606F	9/16" - 18	06	06	10	3/8"	06	29.5	14	17
JM1-0806F	3/4" - 16	08	08	10	3/8"	06	33.2	16.7	19
JM1-0808F	3/4" - 16	08	08	12	1/2"	08	34	16.7	19
JM1-1008F	7/8" - 14	10	10	12	1/2"	08	34	19.3	24
JM1-1208F	1.1/16" - 12	12	12	12	1/2"	08	38.9	28.9	27
JM1-1210F	1.1/16" - 12	12	12	16	5/8"	10	38.9	21.9	27
JM1-1212F	1.1/16" - 12	12	12	20	3/4"	12	38.5	21.5	27
JM1-1412F	1.3/16" - 12	14	14	20	3/4"	12	46.6	22.6	32
JM1-1612F	1.5/16" - 12	16	16	20	3/4"	12	47.1	23.1	36
JM1-1616F	1.5/16" - 12	16	16	25	1"	16	48.2	23.1	36

JMF1

JIS METRIC FEMALE STRAIGHT - 60° SEAT
(FERRULE ORDERED SEPARATELY)



Product Code	JIS Thread			Nominal ID		
	T (mm)	Size	Pipe	DN	Inch	Size
JMF1-1404F	14 x 1.5	14	6 mm	6	1/4"	04
JMF1-1806F	18 x 1.5	18	10 mm	10	3/8"	06

JIC

ORIGIN: NORTH AMERICA

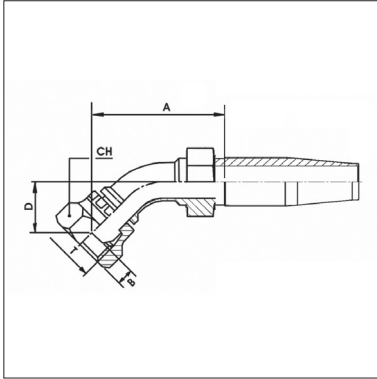


AD

E

JF4

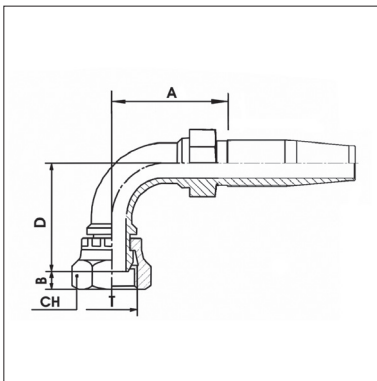
JIC FEMALE 45° ELBOW
(FERRULE ORDERED SEPARATELY)



Product Code	JIC Thread			Nominal ID			B	D
	T	Size	Pipe	DN	Inch	Size		
JF4-0404F	7/16" - 20	04	04	6	1/4"	04	8.5	15
JF4-0504F	1/2" - 20	05	05	6	1/4"	04	9.5	17
JF4-0604F	9/16" - 18	06	06	6	1/4"	04	9.5	19
JF4-0606F	9/16" - 18	06	06	10	3/8"	06	9.5	19
JF4-0806F	3/4" - 16	08	08	10	3/8"	06	10.7	24
JF4-0808F	3/4" - 16	08	08	12	1/2"	08	10.7	24
JF4-1008F	7/8" - 14	10	10	12	1/2"	08	12.7	27
JF4-1212F	1.1/16" - 12	12	12	20	3/4"	12	13.5	32
JF4-1612F	1.5/16" - 12	16	16	20	3/4"	12	16	38
JF4-1616F	1.5/16" - 12	16	16	25	1"	16	16	38

JF9 and JFL9 (Long Drop)

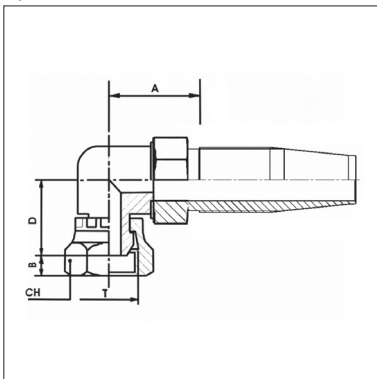
JIC FEMALE 90° ELBOW (FERRULE ORDERED SEPARATELY)



Product Code	JIC Thread			Nominal ID			B	D
	T	Size	Pipe	DN	Inch	Size		
JF9-0404F	7/16" - 20	04	04	6	1/4"	04	8.5	15
JF9-0504F	1/2" - 20	05	05	6	1/4"	04	9.5	17
JF9-0604F	9/16" - 18	06	06	6	1/4"	04	9.5	19
JF9-0606F	9/16" - 18	06	06	10	3/8"	06	9.5	19
JF9-0806F	3/4" - 16	08	08	10	3/8"	06	10.7	24
JF9-0808F	3/4" - 16	08	08	12	1/2"	08	10.7	24
JF9-1008F	7/8" - 14	10	10	12	1/2"	08	12.7	27
JF9-1010F	7/8" - 14	10		16	5/8"	10	12.7	27
JF9-1212F	1.1/16" - 12	12	12	20	3/4"	12	13.5	32
JF9-1616F	1.5/16" - 12	16	16	25	1"	16	16	38
Long Drops								
JFL9-0604F	9/16" - 18	06	06	6	1/4"	04	9.5	-
JFL9-0606F	9/16" - 18	06	06	10	3/8"	06	9.5	-

JFC9

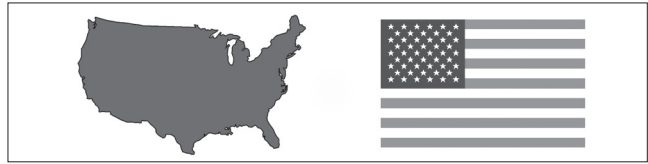
JIC FEMALE 90° COMPACT ELBOW
(FERRULE ORDERED SEPARATELY)



Product Code	JIC Thread			Nominal ID			B	D
	T	Size	Pipe	DN	Inch	Size		
JFC9-0404F	7/16" - 20	04	04	6	1/4"	04	8.5	15
JFC9-0504F	1/2" - 20	05	05	6	1/4"	04	9.5	17
JFC9-0604F	9/16" - 18	06	06	6	1/4"	04	9.5	19
JFC9-0806F	3/4" - 16	08	08	10	3/8"	06	10.7	24
JFC9-0808F	3/4" - 16	08	08	12	1/2"	08	10.7	24
JFC9-1008F	7/8" - 14	10	10	12	1/2"	08	12.7	27

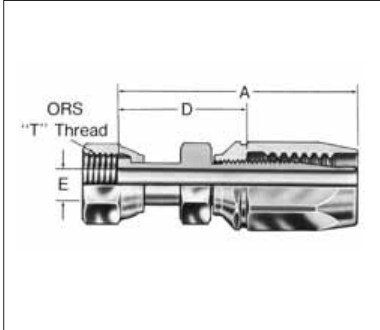
ORFS

ORIGIN: NORTH AMERICA



OF1

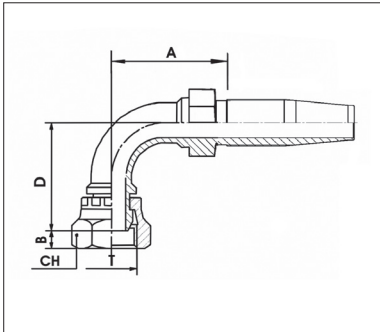
ORFS FEMALE STRAIGHT (FERRULE ORDERED SEPARATELY)



Product Code	JIC Thread			Hose Nominal ID			A	E	CH	D
	T	Size	Pipe	DN	Inch	Size				
OF1-0404F	9/16" - 18	1/4"	04	6	1/4"	04	66.5	4.5	19	33
OF1-0606F	11/16" - 16	3/8"	06	10	3/8"	06	73.0	7.3	22	38
OF1-0808F	13/16" - 16	1/2"	08	12	1/2"	08	79.0	9.8	27	43

OF9

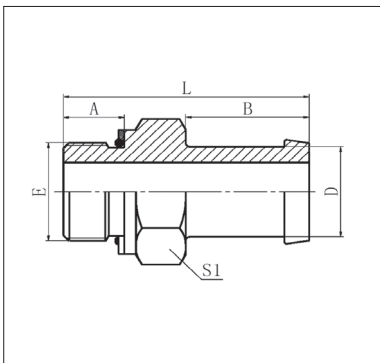
ORFS FEMALE 90° ELBOW (FERRULE ORDERED SEPARATELY)



Product Code	JIC Thread			Nominal ID		
	T	Size	Pipe	DN	Inch	Size
OF9-0404F	9/16" - 18	1/4"	04	6	1/4"	04
OF9-0606F	11/16" - 16	3/8"	06	10	3/8"	06
OF9-0808F	13/16" - 16	1/2"	08	12	1/2"	08

BPM1

BSPB MALE STRAIGHT
SEPARATE CLAMP REQUIRED



Product Code	BSPB Thread			Nominal ID			Dimensions mm			
	E	Size	Pipe	Dash	Inch	DN	A	B	L	S1
BPM1-1212L	3/4" - 14	12	3/4"	20	3/4"	12	15.5	28	57.5	32
BPM1-2012L	1.1/4" - 11	20	1.1/4"	20	3/4"	12	20	28	66	50
BPM1-1216L	3/4" - 14	12	3/4"	25	1"	16	15.5	35	64.5	32
BPM1-1616L	1" - 11	16	1"	25	1"	16	18	35	69	41
BPM1-2016L	1.1/4" - 11	20	1.1/4"	25	1"	16	20	35	73	50
BPM1-2416L	1.1/2" - 11	24	1.1/2"	25	1"	16	21.5	35	74.5	55
BPM1-1620L	1" - 11	16	1"	32	1.1/4"	20	-	-	-	-
BPM1-2020L	1.1/4" - 11	20	1.1/4"	32	1.1/4"	20	20	35	73	50
BPM1-2420L	1.1/2" - 11	24	1.1/2"	32	1.1/4"	20	21.5	35	74.5	55
BPM1-1624L	1" - 11	16	1"	38	1.1/2"	24	-	-	-	-
BPM1-2024L	1.1/4" - 11	20	1.1/4"	38	1.1/2"	24	20	40	78	50
BPM1-2424L	1.1/2" - 11	24	1.1/2"	38	1.1/2"	24	-	-	-	-

BSP

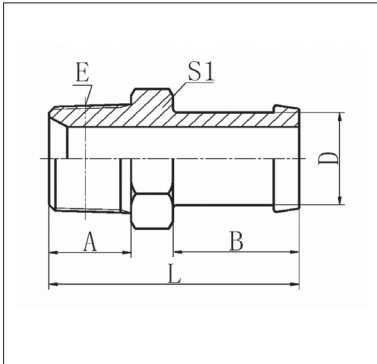
ORIGIN: GREAT BRITAIN



BTM1

BSPT MALE STRAIGHT

SEPARATE CLAMP REQUIRED

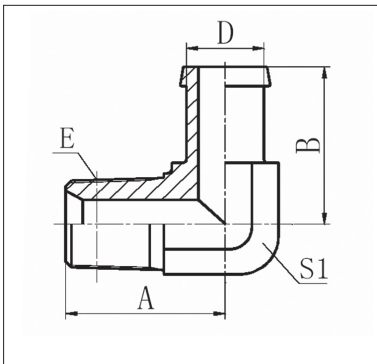


Product Code	BSPT Thread			Nominal ID			Dimensions mm			
	E	Size	Pipe	Dash	Inch	DN	A	B	L	S1
BTM1-0812L	1/2" - 14	08	1/2"	20	3/4"	12	20	28	56	22
BTM1-1212L	3/4" - 14	12	3/4"	20	3/4"	12	20	28	58	30
BTM1-1216L	3/4" - 14	12	3/4"	25	1"	16	20	35	65	30
BTM1-1220L	3/4" - 14	12	3/4"	32	1.1/4"	20	19.5	35	65.5	36
BTM1-1616L	1" - 11	16	1"	25	1"	16	25.5	35	71.5	36
BTM1-2016L	1.1/4" - 11	20	1.1/4"	25	1"	16	26.5	35	74.5	36
BTM1-1620L	1" - 11	16	1"	32	1.1/4"	20	25.5	35	71.5	36
BTM1-2020L	1.1/4" - 11	20	1.1/4"	32	1.1/4"	20	26.5	35	74.5	46
BTM1-2420L	1.1/2" - 11	24	1.1/2"	32	1.1/4"	20	26.5	35	76.5	50
BTM1-1624L	1" - 11	16	1"	38	1.1/2"	24	25.5	40	76.5	50
BTM1-2024L	1.1/4" - 11	20	1.1/4"	38	1.1/2"	24	26.5	40	79.5	46
BTM1-2424L	1.1/2" - 11	24	1.1/2"	38	1.1/2"	24	26.5	40	81.5	50
BTM1-3232L	2" - 11	32	2"	50	2"	32	30	44.5	91.5	65

BTM9

BSPT MALE 90° ELBOW

SEPARATE CLAMP REQUIRED

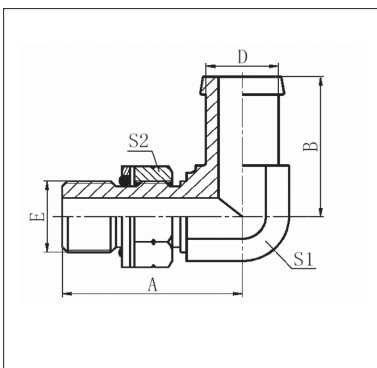


Product Code	BSPT Thread			Nominal ID			Dimensions mm			
	Thread E	Size	Pipe	Dash	Inch	DN	A	B	S1	D
BTM9-0812L	1/2" - 14	08	1/2"	20	3/4"	12	36	43	22	19
BTM9-1212L	3/4" - 14	12	3/4"	20	3/4"	12	43.5	46	27	19
BTM9-1216L	3/4" - 14	12	3/4"	25	1"	16	43.5	53	27	25.4
BTM9-1220L	3/4" - 14	12	3/4"	32	1.1/4"	20	-	-	-	31.8
BTM9-1616L	1" - 11	16	1"	25	1"	16	50	56.5	33	25.4
BTM9-2016L	1.1/4" - 11	20	1.1/4"	25	1"	16	56.5	61	41	25.4
BTM9-1620L	1" - 11	16	1"	32	1.1/4"	20	50	56.5	33	31.8
BTM9-2020L	1.1/4" - 11	20	1.1/4"	32	1.1/4"	20	56.5	61	41	31.8
BTM9-1624L	1" - 11	16	1"	38	1.1/2"	24	-	-	-	38.1
BTM9-2024L	1.1/4" - 11	20	1.1/4"	38	1.1/2"	24	-	-	-	38.1
BTM9-2424L	1.1/2" - 11	24	1.1/2"	38	1.1/2"	24	62.5	71	48	38.1

BPM9

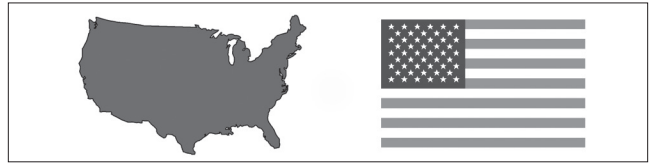
BSPP MALE 90° ELBOW

SEPARATE CLAMP REQUIRED

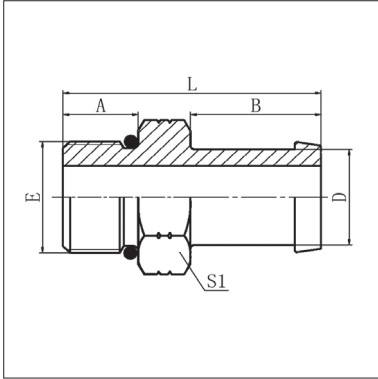


Product Code	BSPP Thread			Nominal ID			Dimensions mm				
	Thread E	Size	Pipe	Dash	Inch	DN	A	B	S1	S2	D
BPM9-1212L	3/4" - 14	12	3/4"	20	3/4"	12	50.5	56	27	32	19
BPM9-1216L	3/4" - 14	12	3/4"	25	1"	16	50.5	53	27	32	25.4
BPM9-1616L	1" - 11	16	1"	25	1"	16	54.5	60	33	41	25.4
BPM9-2016L	1.1/4" - 11	20	1.1/4"	25	1"	16	59	59	41	50	25.4
BPM9-1620L	1" - 11	16	1"	32	1.1/4"	20	58	64	41	41	31.8
BPM9-2020L	1.1/4" - 11	20	1.1/4"	32	1.1/4"	20	58	64	41	50	31.8
BPM9-2420L	1.1/2" - 11	24	1.1/2"	32	1.1/4"	20	63	66	47	55	31.8
BPM9-2024L	1.1/4" - 11	20	1.1/4"	38	1.1/2"	24	-	-	-	-	-
BPM9-2424L	1.1/2" - 11	24	1.1/2"	38	1.1/2"	24	61	68	47	55	38.1

UNO
ORIGIN: NORTH AMERICA

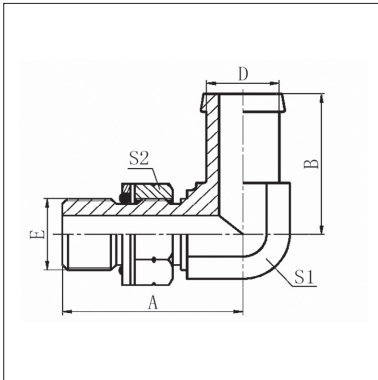


UNM1
UNO MALE STRAIGHT
SEPARATE CLAMP REQUIRED



Product Code	UNO Thread			Nominal ID			Dimensions mm			
	Thread E	Size	Pipe	Dash	Inch	DN	A	B	L	S1
UNM1-0812L	3/4" - 16	08	08	20	3/4"	12	11.1	28	47	22
UNM1-1012L	7/8" - 14	10	10	20	3/4"	12	12.7	28	50.5	27
UNM1-1212L	1.1/16" - 12	12	12	20	3/4"	12	15.1	28	54	32
UNM1-1216L	1.1/16" - 12	12	12	25	1"	16	15.1	35	61	32
UNM1-1616L	1.5/16" - 12	16	16	25	1"	16	15.1	35	61	38
UNM1-1620L	1.5/16" - 12	16	16	32	1.1/4"	20	15.1	35	61	38
UNM1-2020L	1.5/8" - 12	20	20	32	1.1/4"	20	15.1	35	65	55
UNM1-2024L	1.5/8" - 12	20	20	38	1.1/2"	24	15.1	40	70	50
UNM1-2424L	1.7/8" - 12	24	24	38	1.1/2"	24	15.1	40	70	55

UNM9
UNO MALE 90° ELBOW
SEPARATE CLAMP REQUIRED



Product Code	UNO Thread			Nominal ID			Dimensions mm			
	Thread E	Size	Pipe	Dash	Inch	DN	A	B	S1	D
UNM9-0812L	3/4" - 16	08	08	20	3/4"	12	39.5	43	22	19
UNM9-1012L	7/8" - 14	10	10	20	3/4"	12	45	43	22	19
UNM9-1212L	1.1/16" - 12	12	12	20	3/4"	12	51	46	27	19
UNM9-1216L	1.1/16" - 12	12	12	25	1"	16	51	53	27	25.4
UNM9-1616L	1.5/16" - 12	16	16	25	1"	16	54.5	56.5	33	25.4
UNM9-1620L	1.5/16" - 12	16	16	32	1.1/4"	20	54.5	56.5	33	31.8
UNM9-2020L	1.5/8" - 12	20	20	32	1.1/4"	20	59.5	61	41	31.8
UNM9-2024L	1.5/8" - 12	20	20	38	1.1/2"	24	59.5	66.5	41	38.1